

Programming Code Compatibility Suite Guide - Option 266

Agilent Technologies PSA Spectrum Analyzers

**This manual provides documentation for the following instruments
with Option 266 Installed:**

PSA Series

E4440A (3 Hz - 26.5 GHz)

E4443A (3 Hz - 6.7 GHz)

E4445A (3 Hz - 13.2 GHz)

E4446A (3 Hz - 44.0 GHz)

E4447A (3 Hz - 42.98 GHz)

E4448A (3 Hz - 50.0 GHz)



Agilent Technologies

Manufacturing Part Number: E4440-90316

Supersedes: E4440-90314

Printed in USA

March 2006

© Copyright 2001 – 2006 Agilent Technologies, Inc.

Notice

The information contained in this document is subject to change without notice.

Agilent Technologies makes no warranty of any kind with regard to this material, including but not limited to, the implied warranties of merchantability and fitness for a particular purpose. Agilent Technologies shall not be liable for errors contained herein or for incidental or consequential damages in connection with the furnishing, performance, or use of this material.

Where to Find the Latest Information

Documentation is updated periodically. For the latest information about Agilent ESA and PSA Spectrum Analyzers, including firmware upgrades, software upgrades, application information, and product information, please visit the Internet URLs listed below:

<http://www.agilent.com/find/esa> (for ESA spectrum analyzers)

<http://www.agilent.com/find/psa> (for PSA spectrum analyzers)

1. Getting Started	
Option 266 Description	28
Option 266 Limitations	29
Hardware and Firmware Requirements for Option 266	30
Installing/Uninstalling Option 266 - ESA Series Analyzers Only	33
Available Measurement Personality Options - ESA Series	34
Creating the Installation Disks from the Web	34
Installing the Option 266 Software	34
Installer Screen and Menu	37
Troubleshooting the Installer	39
Installing Option 266 - PSA Series Analyzers Only	40
Configuring Option 266 on ESA and PSA Analyzers	41
The Configure Remote Lang Screen Menu - ESA and PSA Analyzers	45
Running Software that Requires SCPI Commands	50
Service and Calibration	52
Documentation for Option 266	53
Spectrum Analyzers with Option 266	53
Spectrum Analyzer Updates	53
2. Legacy Analyzer Command List	
Table of All Legacy Analyzer Commands	56
3. Hints and Tips	
A Few Helpful Hints and Tips	88
4. Programming Commands	
Command Syntax	92
Programming Command Descriptions	94
A1 [one]	
Clear Write for Trace A	95
Syntax	95
Description	95
A2 [two]	
Maximum Hold for Trace A	96
Syntax	96
Description	96
A3 [three]	
View Mode for Trace A	97
Syntax	97
Description	97
A4 [four]	
Blank Trace A	98
Syntax	98
Description	98
ACP	
Adjacent Channel Power	99
Syntax	99
Description	99

Contents

ACPALPHA	
Adjacent Channel Power Alpha Weighting	100
Syntax	100
Description	100
ACPALTCH	
Adjacent Channel Power Alternate Channels	101
Syntax	101
Description	101
ACPBRPER	
Adjacent Channel Power Burst Period	102
Syntax	102
Description	102
ACPBRWID	
Adjacent Channel Power Burst Width	103
Syntax	103
Description	103
ACPBW	
Adjacent Channel Power Bandwidth	104
Syntax	104
Description	104
ACPCOMPUTE	
Adjacent Channel Power Compute	105
Syntax	105
Description	105
ACPFREQWT	
Adjacent Channel Power Frequency Weighting	106
Syntax	106
Description	106
ACPLOWER	
Lower Adjacent Channel Power	107
Syntax	107
Description	107
ACPMAX	
Maximum Adjacent Channel Power	108
Syntax	108
ACPMEAS	
Measure Adjacent Channel Power	109
Syntax	109
Description	109
ACPMSTATE	
Adjacent Channel Power Measurement State	110
Syntax	110
Description	110
ACPPAR	
Adjacent Channel Power Manual or Auto	111
Syntax	111
Description	111
ACPPWRTX	
Adjacent Channel Power Total Power Transmitted	112

Syntax	112
Description	112
ACPRSLTS	
Adjacent Channel Power Measurement Results	113
Syntax	113
Description	113
ACPSP	
Adjacent Channel Power Channel Spacing	114
Syntax	114
Description	114
ACPT	
Adjacent Channel Power T Weighting	115
Syntax	115
Description	115
ACPUPPER	
Upper Adjacent Channel Power	116
Syntax	116
Description	116
ADJALL	
LO and IF Adjustments	117
Syntax	117
Description	117
AMB	
A minus B into A	118
Syntax	118
Description	118
AMBPL	
(A minus B) plus Display Line into A	119
Syntax	119
Description	119
AMPCOR	
Amplitude Correction	121
Syntax	121
Description	121
ANNOT	
Annotation	123
Syntax	123
Description	123
APB	
Trace A Plus Trace B to A	124
Syntax	124
Description	124
AT	
Input Attenuation	125
Syntax	125
Description	126
AUNITS	
Absolute Amplitude Units	127
Syntax	127

Contents

Description	127
AUTO	
Auto Couple	129
Syntax	129
Description	129
AUTOCP	
Auto Coupled	131
Syntax	131
Description	131
AXB	
Exchange Trace A and Trace B	132
Syntax	132
Description	132
B1 [one]	
Clear Write for Trace B	133
Syntax	133
Description	133
B2 [two]	
Maximum Hold for Trace B	134
Syntax	134
Description	134
B3 [three]	
View Mode for Trace B	135
Syntax	135
Description	135
B4 [four]	
Blank Trace B	136
Syntax	136
Description	136
BL	
Trace B minus Display Line to Trace B	137
Syntax	137
Description	137
BLANK	
Blank Trace	138
Syntax	138
Description	138
BML	
Trace B Minus Display Line	139
Syntax	139
Description	139
BTC	
Transfer Trace B to Trace C	140
Syntax	140
Description	140
BXC	
Exchange Trace B and Trace C	141
Syntax	141
Description	141

C1 [one]	
Set A Minus B Mode Off	142
Syntax	142
Description	142
C2 [two]	
A Minus B Into A	143
Syntax	143
Description	143
CA	
Couple Attenuation	144
Syntax	144
Description	144
CAL	
Calibration	145
Syntax	145
Description	145
CARRON	
Carrier On Power	146
Syntax	146
Description	146
CF	
Center Frequency	147
Syntax	147
Description	147
CHANNEL	
Channel Selection	148
Syntax	148
Description	148
CHANPWR	
Channel Power	149
Syntax	149
Description	149
CHP	
Channel Power	150
Syntax	150
Description	150
CHPWRBW	
Channel Power Bandwidth	151
Syntax	151
Description	151
CLRAVG	
Clear Average	152
Syntax	152
Description	152
CLRW	
Clear Write	153
Syntax	153
Description	153
CLS	

Contents

Clear Status Byte	154
Syntax	154
Description	154
CONTS	
Continuous Sweep	155
Syntax	155
Description	155
CORREK	
Correction Factors On	156
Syntax	156
Description	156
COUPLE	
Input Coupling	157
Syntax	157
Description	157
CR	
Couple Resolution Bandwidth	158
Syntax	158
Description	158
CS	
Couple Frequency Step Size	159
Syntax	159
Description	159
CT	
Couple Sweep Time	160
Syntax	160
Description	160
CV	
Couple Video Bandwidth	161
Syntax	161
Description	161
DA	
Display Address	162
Syntax	162
Description	162
DELMKBW	
Occupied Power Bandwidth Within Delta Marker	163
Syntax	163
Description	163
DEMODO	
Demodulation	164
Syntax	164
Description	164
DET	
Detection Mode	165
Syntax	165
Description	166
DL	
Display Line	167

Syntax	167
Description	168
DLE	
Display Line Enable	169
Syntax	169
Description	169
DLYSWP	
Delay Sweep	170
Syntax	170
Description	170
DONE	
Done	171
Syntax	171
Description	171
E1[one]	
Peak Marker	172
Syntax	172
Description	172
E2 [two]	
Marker to Center Frequency	173
Syntax	173
Description	173
E3 [three]	
Delta Marker Step Size	174
Syntax	174
Description	174
E4 [four]	
Marker to Reference Level	175
Syntax	175
Description	175
EDITDONE	
End of Limit Line Edits	176
Syntax	176
Description	176
EDITLIML	
Edit Limit Line	177
Syntax	177
Description	177
ERR	
Error	178
Syntax	178
Description	178
ET	
Elapsed Time	179
Syntax	179
Description	179
EX	
Exchange Trace A and Trace B	180
Syntax	180

Contents

Description	180
FA	
Start Frequency	181
Syntax	181
Description	181
FB	
Stop Frequency	182
Syntax	182
Description	182
FDSP	
Frequency Display Off	183
Syntax	183
Description	183
Foffset	
Frequency Offset	184
Syntax	184
Description	184
FPKA	
Fast Preselector Peak	185
Syntax	185
Description	185
FREF	
Frequency Reference	186
Syntax	186
Description	186
FS	
Full Span	187
Syntax	187
Description	187
GATE	
Gate	191
Syntax	191
Description	191
GATECTL	
Gate Control	192
Syntax	192
Description	192
GD	
Gate Delay	193
Syntax	193
Description	193
GL	
Gate Length	194
Syntax	194
Description	194
GP	
Gate Polarity	195
Syntax	195
Description	195

GRAT	
Graticule	196
Syntax	196
Description	196
HD	
Hold Data Entry	197
Syntax	197
Description	197
I1 [one]	
Set RF Coupling to DC	198
Syntax	198
Description	198
I2 [two]	
Set RF Coupling to AC	200
Syntax	200
Description	200
ID	
Identify	202
Syntax	202
Description	202
INZ	
Input Impedance	203
Syntax	203
Description	203
IP	
Instrument Preset	204
Syntax	204
Description	204
KS,	
Mixer Level	205
Syntax	205
Description	205
KS=	
Marker Counter Resolution	206
Syntax	206
Description	206
KSA	
Amplitude in dBm	207
Syntax	207
Description	207
KSa	
Normal Detection	208
Syntax	208
Description	208
KSB	
Amplitude in dBmV	209
Syntax	209
Description	209
KSb	

Contents

Positive Peak Detection	210
Syntax	210
Description	210
KSC	
Amplitude in dBuV	211
Syntax	211
Description	211
KSc	
A Plus B to A	212
Syntax	212
Description	212
KSD	
Amplitude in Volts	213
Syntax	213
Description	213
KSd	
Negative Peak Detection	214
Syntax	214
Description	214
KSE	
Title Mode	215
Syntax	215
Description	215
KSe	
Sample Detection	216
Syntax	216
Description	216
KSG	
Video Averaging On	217
Syntax	217
Description	217
KSg	
Display Off	218
Syntax	218
Description	218
KSH	
Video Averaging Off	219
Syntax	219
Description	219
KSh	
Display On	220
Syntax	220
Description	220
KSi	
Exchange Trace B and Trace C	221
Syntax	221
Description	221
KSj	
View Trace C	222

Syntax	222
Description	222
KSK	
Marker to Next Peak	223
Syntax	223
Description	223
KSk	
Blank Trace C	224
Syntax	224
Description	224
KSL	
Marker Noise Off	225
Syntax	225
Description	225
KSI	
Transfer Trace B to Trace C	226
Syntax	226
Description	226
KSM	
Marker Noise On	227
Syntax	227
Description	227
KSm	
Graticule Off	229
Syntax	229
Description	229
KSN	
Marker Minimum	230
Syntax	230
Description	230
KSn	
Graticule On	231
Syntax	231
Description	231
KSO	
Marker Span	232
Syntax	232
Description	232
KSo	
Annotation Off	233
Syntax	233
Description	233
KSp	
Annotation On	234
Syntax	234
Description	234
KST	
Fast Preset	235
Syntax	235

Contents

Description	235
KSV	
Frequency Offset	236
Syntax	236
Description	236
KSx	
External Trigger	237
Syntax	237
Description	237
KSy	
Video Trigger	238
Syntax	238
Description	238
KSZ	
Reference Level Offset	239
Syntax	239
Description	239
L0 [zero]	
Display Line Off	240
Syntax	240
Description	240
LF	
Low Frequency Preset	241
Syntax	241
Description	241
LG	
Logarithmic Scale	242
Syntax	242
Description	242
LIMD	
Limit Line Delta Value	244
Syntax	244
Description	244
LIMF	
Limit Line Frequency Value	245
Syntax	245
Description	245
LIMIDEL	
Delete Limit Line Table	246
Syntax	246
Description	246
LIMIDISP	
Limit Line Display	247
Syntax	247
Description	247
LIMIFAIL	
Limits Failed	248
Syntax	248
Description	248

LIMIFT	
Select Frequency or Time Limit Line	249
Syntax	249
Description	249
LIMIPURGE	
Delete Current Limit Line	250
Syntax	250
Description	250
LIMIREL	
Relative Limit Lines	251
Syntax	251
Description	251
LIMITEST	
Enable Limit Line Testing	252
Syntax	252
Description	252
LIML	
Lower-Limit Amplitude	253
Syntax	253
Description	253
LIMM	
Limit Middle-Amplitude	254
Syntax	254
Description	254
LIMU	
Upper-Limit Amplitude	255
Syntax	255
Description	255
LN	
Linear Scale	256
Syntax	256
Description	256
LSPAN	
Previous Span	257
Syntax	257
Description	257
M1 [one]	
Marker Off	258
Syntax	258
Description	258
M2 [two]	
Marker Normal	259
Syntax	259
Description	259
M3 [three]	
Delta Marker	260
Syntax	260
Description	260
M4 [four]	

Contents

Marker Zoom	.262
Syntax	.262
Description	.262
MA	
Marker Amplitude Output	.263
Syntax	.263
Description	.263
MC0 [zero]	
Marker Frequency Counter Off	.264
Syntax	.264
Description	.264
MC1 [one]	
Marker Frequency Counter On	.265
Syntax	.265
Description	.265
MDS	
Measurement Data Size	.266
Syntax	.266
Description	.266
MEAN	
Trace Mean	.267
Syntax	.267
Description	.267
MEANPWR	
Mean Power measurement	.268
Syntax	.268
Description	.268
MEASOFF	
Measurement Off	.269
Syntax	.269
Description	.269
MF	
Marker Frequency Output	.270
Syntax	.270
Description	.270
MINH	
Minimum Hold	.271
Syntax	.271
Description	.271
MINPOS	
Minimum X Position	.272
Syntax	.272
Description	.272
MKA	
Marker Amplitude	.273
Syntax	.273
Description	.273
MKACT	
Activate Marker	.274

Syntax	274
Description	274
MKBW	
Marker Bandwidth	275
Syntax	275
Description	275
MKCF	
Marker to Center Frequency	276
Syntax	276
Description	276
MKD	
Marker Delta	277
Syntax	277
Description	277
MKF	
Marker Frequency	279
Syntax	279
Description	279
MKFC	
Marker Counter	280
Syntax	280
Description	280
MKFCR	
Marker Counter Resolution	281
Syntax	281
Description	281
MKMIN	
Marker Minimum	282
Syntax	282
Description	282
MKN	
Marker Normal	283
Syntax	283
Description	283
MKNOISE	
Marker Noise	284
Syntax	284
Description	284
MKOFF	
Marker Off	286
Syntax	286
Description	286
MKP	
Marker Position	287
Syntax	287
Description	287
MKPK	
Marker Peak	288
Syntax	288

Contents

Description	288
MKPT	
Marker Threshold	289
Syntax	289
Description	289
MKPX	
Marker Peak Excursion	290
Syntax	290
Description	290
MKREAD	
Marker Readout	291
Syntax	291
Description	291
MKRL	
Marker to Reference Level	293
Syntax	293
Description	293
MKSP	
Marker to Span	294
Syntax	294
Description	294
MKSS	
Marker to Step Size	295
Syntax	295
Description	295
MKT	
Marker Time	296
Syntax	296
Description	296
MKTBL	
Marker Table	297
Syntax	297
Description	297
MKTRACE	
Marker Trace	298
Syntax	298
Description	298
MKTRACK	
Marker Track	299
Syntax	299
Description	299
MKTYPE	
Marker Type	300
Syntax	300
Description	300
ML	
Mixer Level	301
Syntax	301
Description	301

MT0 [zero]	
Marker Track Off	303
Syntax	303
Description	303
MT1 [one]	
Marker Track On	304
Syntax	304
Description	304
MXMH	
Maximum Hold	305
Syntax	305
Description	305
NORMLIZE	
Normalize Trace Data	306
Syntax	306
Description	306
NRL	
Normalized Reference Level	307
Syntax	307
Description	307
NRPOS	
Normalized Reference Position	308
Syntax	308
Description	308
O1 [one]	
Format - Display Units	309
Syntax	309
Description	309
O2 [two]	
Format - Two 8-Bit Bytes	310
Syntax	310
Description	310
O3 [three]	
Format - Real Amplitude Units	311
Syntax	311
Description	311
O4 [four]	
Format - One 8-Bit Byte	312
Syntax	312
Description	312
OCCUP	
Percent Occupied Power Bandwidth	313
Syntax	313
Description	313
OL	
Output Learn String	314
Syntax	314
Description	314
OT	

Contents

Output Trace Annotations	315
Syntax	315
Description	315
PEAKS	
Peaks	316
Syntax	316
Description	316
PKDLMODE	
Peak Table Delta Display Line Mode	317
Syntax	317
Description	317
PKPOS	
Peak Position	318
Syntax	318
Description	318
PKSORT	
Peak Sort	319
Syntax	319
Description	319
PKTBL	
Peak Table	320
Syntax	320
Description	320
PLOT	
Plot	321
Syntax	321
Description	321
PP	
Preselector Peak	322
Syntax	322
Description	322
PREAMPG	
External Preamplifier Gain	323
Syntax	323
Description	323
PRINT	
Print	324
Syntax	324
Description	324
PWRBW	
Power Bandwidth	325
Syntax	325
Description	325
PWRUPTIME	
Power Up Time	326
Syntax	326
Description	326
Q0 [zero]	
EMI Peak Detection	327

Syntax	327
Description	327
Q1 [one]	
Quasi-Peak Detection	328
Syntax	328
Description	328
R1 [one]	
Illegal Command SRQ	329
Syntax	329
Description	329
R2 [two]	
End-of-Sweep SRQ	330
Syntax	330
Description	330
R3 [three]	
Hardware Broken SRQ	331
Syntax	331
Description	331
R4 [four]	
Units-Key-Pressed SRQ	332
Syntax	332
Description	332
RB	
Resolution Bandwidth	333
Syntax	333
Description	334
RBR	
Resolution Bandwidth Ratio	335
Syntax	335
Description	335
RC	
Recall State	336
Syntax	336
Description	336
RCLS	
Recall State	337
Syntax	337
Description	337
REV	
Revision	338
Syntax	338
Description	338
RL	
Reference Level	339
Syntax	339
Description	339
RMS	
Root Mean Square Value	341
Syntax	341

Contents

Description341
ROFFSET	
Reference Level Offset342
Syntax342
Description342
RQS	
Service Request Mask343
Syntax343
Description343
S1[one]	
Continuous Sweep344
Syntax344
Description344
S2 [two]	
Single Sweep345
Syntax345
Description345
SADD	
Add Limit Line Segment346
Syntax346
Description346
SAVES	
Save State347
Syntax347
Description347
SDEL	
Delete Limit Line Segment348
Syntax348
Description348
SDON	
Terminate Limit Line Segment349
Syntax349
Description349
SEDI	
Activate Limit Line Segment350
Syntax350
Description350
SENER	
Segment Entry for Frequency Limit Lines351
Syntax351
Description351
SER	
Serial Number352
Syntax352
Description352
SETDATE	
Set Date353
Syntax353
Description353

SETTIME	
Set Time	354
Syntax	354
Description	354
SMOOTH	
Smooth Trace	355
Syntax	355
Description	355
SNGLS	
Single Sweep	356
Syntax	356
Description	356
SP	
Frequency Span	357
Syntax	357
Description	358
SRCAT	
Source Attenuator	359
Syntax	359
Description	359
SRCPOFS	
Source Power Offset	360
Syntax	360
Description	360
SRCPSTP	
Source Power Step	361
Syntax	361
Description	361
SRCPSWP	
Source Power Sweep	362
Syntax	362
Description	362
SRCPWR	
Source Power	363
Syntax	363
Description	363
SRCTK	
Source Tracking	364
Syntax	364
Description	364
SRCTKPK	
Source Tracking Peak	365
Syntax	365
Description	365
SRQ	
User-Defined SRQ	366
Syntax	366
Description	366
SS	

Contents

Center Frequency Step Size367
Syntax367
Description368
ST	
Sweep Time369
Syntax369
Description370
STB	
Status Byte Query371
Syntax371
Description371
STDEV	
Standard Deviation of Trace Amplitudes372
Syntax372
Description372
SV	
Save State373
Syntax373
Description373
SWPCPL	
Sweep Couple374
Syntax374
Description374
T1 [one]	
Free Run Trigger375
Syntax375
Description375
T2 [two]	
Line Trigger376
Syntax376
Description376
T3 [three]	
External Trigger377
Syntax377
Description377
T4 [four]	
Video Trigger378
Syntax378
Description378
T7 [seven]	
Level Trigger for Time Gating379
Syntax379
Description379
T8 [eight]	
Edge Trigger for Time Gating380
Syntax380
Description380
TA	
Trace A381

Syntax	381
Description	381
TB	
Trace B	382
Syntax	382
Description	382
TDF	
Trace Data Format	383
Syntax	383
Description	383
TH	
Threshold	384
Syntax	384
Description	384
TIMEDATE	
Time Date	385
Syntax	385
Description	385
TITLE	
Title	386
Syntax	386
Description	386
TM	
Trigger Mode	387
Syntax	387
Description	387
TRA	
Trace Data Input and Output	388
Syntax	388
Description	388
TRB	
Trace Data Input and Output	389
Syntax	389
Description	389
TRC	
Trace Data Input and Output	390
Syntax	390
Description	390
TRDSP	
Trace Display	391
Syntax	391
Description	391
TRIGPOL	
Trigger Polarity	392
Syntax	392
Description	392
TRPRST	
Trace Preset	393
Syntax	393

Contents

Description	393
TRSTAT	
Trace State	394
Syntax	394
Description	394
TS	
Take Sweep	395
Syntax	395
Description	395
VAVG	
Video Average	396
Syntax	396
Description	396
VB	
Video Bandwidth	398
Syntax	398
Description	399
VBO	
Video Bandwidth Coupling Offset	400
Syntax	400
Description	400
VBR	
Video Bandwidth to Resolution Bandwidth Ratio	401
Syntax	401
Description	401
VIEW	
View Trace	402
Syntax	402
Description	402
VTL	
Video Trigger Level	403
Syntax	403
Description	403
XCH	
Exchange	404
Syntax	404
Description	404
5. A Brief Introduction to the SCPI Language	
SCPI Language Basics	406
Command Keywords and Syntax	406
Creating Valid Commands	407
Special Characters in Commands	408
Parameters in Commands	409
Putting Multiple Commands on the Same Line	411

1 Getting Started

Option 266 Description

Option 266 (ESA/PSA Series Programming Code Compatibility Suite) for Agilent Technologies' ESA-E series, ESA-L series and PSA series of spectrum analyzers allows the analyzer to be controlled using many of the remote programming commands from the following analyzers:

- 8560 E/EC Series Portable Spectrum Analyzers, comprising:
 - 8560E
 - 8560EC
 - 8561E
 - 8561EC
 - 8563E
 - 8563EC
 - 8564E
 - 8564EC
 - 8565E
 - 8565EC
- 8566A/B
- 8568A/B
- 8590 E/L Series Portable Spectrum Analyzers, comprising:
 - 8590L
 - 8591E
 - 8592L
 - 8593E
 - 8594E
 - 8594L
 - 8595E
 - 8596E

NOTE

The 8566A/B and the 8568A/B are not considered part of the 8560 series of analyzers.

Option 266 is designed to replace these analyzers in many automated systems with minimal or no modification to the currently used measurement software.

Option 266 Limitations

The Agilent Option 266 (ESA/PSA Series Programming Code Compatibility Suite) has been designed to emulate as closely as possible the operation of the specified spectrum analyzers. It is not, however, intended as an absolute direct replacement for these analyzers.

Supported commands

Only a subset of the 8566/8568/8560 Series/8590 Series commands is supported in this option (through a GPIB interface). These supported commands were determined by feedback from our customers combined with technical considerations and constraints.

Limitations on the ESA-L Series of Analyzers

The ESA-L Series analyzers only support 8590 Series code compatibility, and then only on Rev B.00.00 or later of the Option 266 software. ESA-L Series analyzers do not support 8566A/B, 8568A/B or 8560 Series code compatibility.

Limitations on the ESA-E Series of Analyzers

The ESA-E Series analyzers only support 8560 Series and 8590 Series code compatibility on Rev B.00.00 or later of the Option 266 software.

Predefined Functions

In the 8566/8568/8560 Series/8590 Series analyzers, a “predefined function” is an analyzer command that returns a number that can be operated on by other analyzer commands. “Predefined variables” follow the same idea, except the value to be passed as a parameter to the next command is stored in a variable.

Option 266 does not support this type of behavior, so any commands that originally acted as predefined functions or variables, or that allowed predefined functions or variables as arguments in the 8566/8568/8560 Series/8590 Series analyzers, will no longer do so.

User-defined Functions

No user-defined functions, traces, or variables (FUNCDEF, TRDEF or VARDEF) can be used as arguments or commands in programs controlling any analyzer running Option 266. In addition, the behavior of certain commands that rely on the “active functions” (UP, DN, etc.) may be slightly different.

Hardware and Firmware Requirements for Option 266

Table 1-1 Compatible Agilent ESA-E Series Spectrum Analyzers

Analyzer Model Number	Upper Frequency Limit	Firmware	ESA/PSA Series Programming Code Compatibility Suite Personality	B72 (Extended Memory Option)	A4H (GPIB and Parallel Interface Option)
E4401B	1.5 GHz	Rev A.14.00 or later	Option 266 Rev B.00.00 or later	Required	Required
E4402B	3.0 GHz	Rev A.14.00 or later	Option 266 Rev B.00.00 or later	Required	Required
E4404B	6.7 GHz	Rev A.14.00 or later	Option 266 Rev B.00.00 or later	Required	Required
E4405B	13.2 GHz	Rev A.14.00 or later	Option 266 Rev B.00.00 or later	Required	Required
E4407B	26.5 GHz	Rev A.14.00 or later	Option 266 Rev B.00.00 or later	Required	Required

One of the following Agilent spectrum analyzers and associated hardware options is required to run Option 266.

Table 1-2 Compatible Agilent ESA-L Series Spectrum Analyzers

Analyzer Model Number	Upper Frequency Limit	Firmware	ESA/PSA Series Programming Code Compatibility Suite ^a	B72 (Extended Memory Option)	A4H (GPIB and Parallel Interface Option)
E4411B	1.5 GHz	Rev A.14.00 or later	Option 266 Rev B.00.00 or later ^a	Required	Required
E4403B	3.0 GHz	Rev A.14.00 or later	Option 266 Rev B.00.00 or later ^a	Required	Required
E4408B	26.5 GHz	Rev A.14.00 or later	Option 266 Rev B.00.00 or later ^a	Required	Required

a. Only 8590 Series code compatibility is supported on the ESA-L series of analyzers. There is no support for 8566, 8568, or 8560 Series code compatibility.

Table 1-3 Compatible Agilent PSA Series Spectrum Analyzers

Analyzer Model Number	Upper Frequency Limit	Firmware	ESA/PSA Series Programming Code Compatibility Suite Personality
E4440A	26.5 GHz	A.08.08 or later	Option 266
E4443A	6.7 GHz	A.08.08 or later	Option 266
E4445A	13.2 GHz	A.08.08 or later	Option 266
E4446A	44.0 GHz	A.08.08 or later	Option 266
E4447A	42.98 GHz	A.08.08 or later	Option 266
E4448A	50.0 GHz	A.08.08 or later	Option 266

For maximum compatibility, you should select an ESA Series or PSA Series analyzer that best matches the frequency range of your chosen remote language. The frequency limits of the remote languages are listed below.

Table 1-4 Frequency Ranges of the Remote Languages

Remote Language	Start Frequency	Stop Frequency
8560E/EC	0 Hz	2.9 GHz
8561E/EC	0 Hz	6.5 GHz
8562E/EC	0 Hz	13.2 GHz
8563E/EC	0 Hz	26.5 GHz
8564E/EC	0 Hz	40.0 GHz
8565E/EC	0 Hz	50.0 GHz
8566A	0 Hz	22.0 GHz
8566B	0 Hz	22.0 GHz
8568A	0 Hz	1.5 GHz
8568B	0 Hz	1.5 GHz
8590L	0 Hz	1.8 GHz
8591E	0 Hz	1.8 GHz
8592L ^a	0 Hz	22.0 GHz
8593E ^a	0 Hz	22.0 GHz
8594E	0 Hz	2.9 GHz
8595E	0 Hz	6.5 GHz

Table 1-4 Frequency Ranges of the Remote Languages

Remote Language	Start Frequency	Stop Frequency
8596E ^a	0 Hz	12.8 GHz

- a. The command HNLOCK (Harmonic Lock) is not supported in Option 266. Thus, the different frequency spans associated with the various harmonic bands are also not supported.

Installing/Uninstalling Option 266 - ESA Series Analyzers Only

NOTE

These installation instructions apply only to ESA-E Series and ESA-L Series analyzer models, that is model numbers E4401B, E4402B, E4403B, E4404B, E4405B, E4407B, E4408B, and E4411B.

You may want to install Option 266 or reinstall it after servicing or calibrating the analyzer. Before you can install the option, you will need an installation diskette or set of installation diskettes. The latest version of the installation disk set, at the time of purchase, was included with this programming compatibility guide.

To update an existing, previously installed Option 266, you may order the diskette(s) from Agilent Technologies or create a set from the Agilent internet site shown under [“Spectrum Analyzer Updates”](#) on [page 53](#).

You may not be able to fit all of the available measurement personalities in instrument memory at the same time. You may need to delete an existing option file from memory and load the one you want. The approximate memory requirements for the options are listed below. These numbers are worst case examples.

You can conserve memory by not installing a personality whose functionality is a subset of another installed personality. For example, GSM (w/EDGE) (Option BAH) includes all the functionality of Distance to Fault (Option 225). If you install Option 266, Programming Code Compatibility Suite, in an instrument that has Option 290, the Option 290 will be automatically uninstalled. This is because Option 266 supports 8590 language compatibility.

Available Measurement Personality Options - ESA Series

Available Personality Options ^a	Option	File Size (ESA Rev: A.14.00)
Noise Figure	219	1.6 MB
Distance to Fault measurement personality ^b	225	0.6 MB
Phase noise measurement personality	226	1.1 MB
Cable TV measurement personality	227	1.0 MB
Bluetooth measurement personality	228	1.3 MB
Modulation analysis measurement personality	229	1.7 MB
89601 Link	231	1.1 MB
GSM (w/EDGE) measurement personality	BAH	4.9 MB
EDGE upgrade to GSM	252	0.0 MB ^c
cdmaOne measurement personality	BAC	2.8 MB

- a. Available as of the print date of this guide.
- b. Distance to Fault functionality is included with GSM.
- c. The EDGE upgrade does not consume any extra memory. It enables the EDGE measurements within the GSM (w/EDGE) personality.

Creating the Installation Disks from the Web

To create the installation disks on-line, visit the Agilent internet site shown under “[Spectrum Analyzer Updates](#)” on page 53. Follow the instructions provided on the internet site for downloading the current Option 266 software and creating an installation disk. (A firmware update may be needed to ensure that the firmware and the software are compatible.) After successfully creating the installation disk set, you are ready to install Option 266 in your ESA Series analyzer.

NOTE

Refer to [Table 1-1](#) and [Table 1-2 on page 30](#) to ensure your analyzer is capable of installing and running Option 266.

Installing the Option 266 Software

This procedure gives steps to install a new software option in an ESA-E Series or an ESA-L Series Spectrum Analyzer using the internal floppy drive of the instrument. Screen messages display the update progress and give directions. The instrument will not need to be re-calibrated

after this procedure since no changes are made to calibration or adjustment files.

If you have a problem with the installation process, refer to [“Troubleshooting the Installer” on page 39](#).

NOTE

Once the installer has begun installing the software, any error will cause the entire option (including a previously installed version) to be removed from the instrument. For this reason, it is very important that you verify the disk prior to installing it. If the disk or any of the files are corrupt, you will not be able to use the option until you obtain a new installation disk set and run the install using the new set.

NOTE

This applies only to ESA Series analyzers:

Option 266 - Programming Code Compatibility Suite and Option 290 - 8590 Code Compatibility cannot both be installed on the same Agilent analyzer at the same time as they will conflict with each other. If one of these personalities has been installed on your analyzer, it must be removed before the other is installed. As Option 266 - Programming Code Compatibility Suite includes all the functionality of Option 290 - 8590 Code Compatibility, Agilent recommends that you uninstall Option 290.

1. Insert the installation disk into the floppy-disk drive on the front of the analyzer.
2. Press **System, More, Personalities**, and **Install**. If there is no floppy disk in the drive, the incorrect disk is inserted, or there is no installer on the disk, the error “No install disk present in disk drive” will be shown.

The screen will change and the **Install Pers.** menu will be shown.

3. Select **Verify Disks**.

When Verify Disks is running, the **Install Now** and **Exit Installer** keys will be grayed out.

4. When the verification has been completed successfully, press **Install Now** and the installation of the software will begin.

While the installer is running, the **Verify Disks** and **Exit Installer** keys will be grayed out.

5. Once the installation is complete, press **Exit Installer**. If a problem occurs, refer to [“Troubleshooting the Installer” on page 39](#).

NOTE

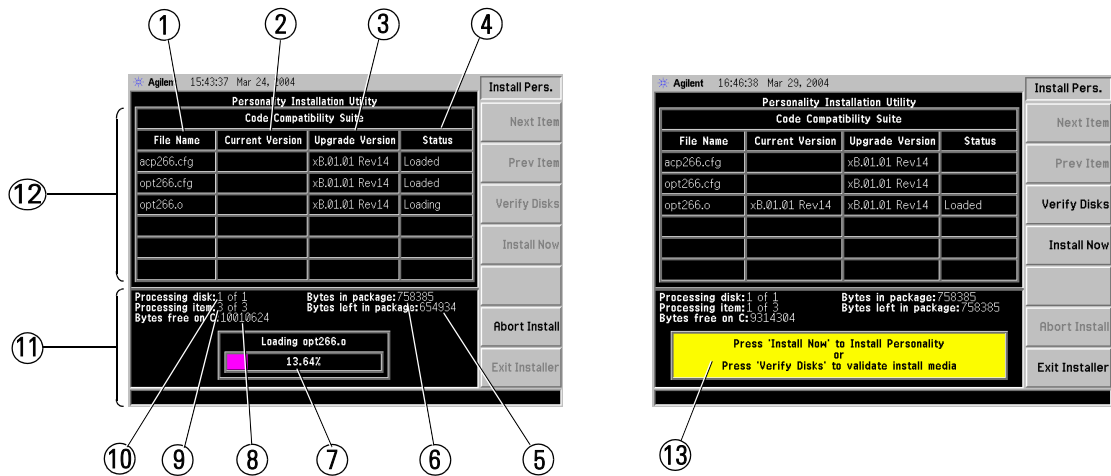
When the installer starts up, it examines the instrument to ensure that all the required software and hardware options are present. If they are not, the installer will generate an error and you will not be able to install the option.

Uninstalling Option 266

You may want to uninstall Option 266. To uninstall Option 266, press **System, More, Personalities, Uninstall**. Select the option using the up/down arrow keys on the front panel, and press **Uninstall Now**.

Installer Screen and Menu

The top portion of the install screen is a table in which the files that are about to be installed are listed. The bottom portion of the screen contains information needed to track the progress of the install.



- 1 **File Name** displays the name of the files on the installation disk.
- 2 **Current Version** displays the version of the file that is currently installed in the instrument. (This field will be blank if this file is not currently installed in the instrument or if the file is a data file that has no version.)
- 3 **Upgrade Version** shows the version of the file on the install disk. This is the version of the file that will replace the currently installed version.
- 4 **Status** is updated to reflect what the installer is doing to the current file as the install progress. The valid messages seen in this column are listed in [Table 1-5 on page 38](#).
- 5 **Bytes left in package** lists the number of bytes left to be read.
- 6 **Bytes in package** lists the number of bytes in the install package/fill.
- 7 **Status Bar** contains a status bar that runs from 0 to 100% and tracks the progress of the current step and a message line displays the step that is currently being executed.
- 8 **Bytes free on C** is the number of bytes currently free on the instrument C: drive.
- 9 **Processing item** shows the file that is being processed by item number.
- 10 **Processing disk** shows the disk that is currently being read.

- 11 **Data Field** contains a status bar and various status information.
- 12 **File Table** displays the files to be installed and various file information. If there are more than six files, **Next Item** and **Prev Item** allow you to scroll the table to view additional items.
- 13 Message and error popup window that displays over the status bar. Information in this box will prompt you for action required to proceed to the next phase of the installation. It may also inform you of errors in the installation process and may prompt you for action required to correct the problem.

Table 1-5 **Installer Status Messages**

Failed	This means that something has gone wrong while processing this item. It is a fatal error and the installation can not be completed. The installer will try to get the system back to a good state which may entail completely removing the currently installed personality.
Loading	The file is currently being copied from the install media to the instrument's file system.
Verifying	This may mean one of two things: <ol style="list-style-type: none"> 1. If "Verify Disks" was pressed then Verifying means that the installer is currently reading the install media and comparing the known checksums to ensure the data is good. 2. If "Install Now" was pressed, then Verifying means that the installer is reading what was just loaded to ensure the checksum is correct.
Loaded	This means that the data has been placed on the instrument disk but has not yet been registered with the firmware.
Installed	This means that the data has been loaded into the instrument and registered. The install for this file is complete.
Skipping	This means that the installer has determined that this file does not need to be loaded into the instrument.

Troubleshooting the Installer

If the installation process stalls or fails in another way, follow these steps to resolve your problem.

1. If the instrument stops the update process before all the disks are loaded proceed as follows:
 - a. Press **Exit Installer** to abort the process.
 - b. Return to step 1 under “[Installing the Option 266 Software](#)” on [page 34](#).
2. If the instrument fails after repeating the installation procedure, get in touch with your nearest Agilent sales and service office for assistance. Please provide the following information:

Model Number:

Serial Number:

State that you are having trouble installing Option 266.

Installing Option 266 - PSA Series Analyzers Only

You must load the desired personality option into the instrument memory. Loading can be done from a firmware CD-ROM or the internet location. An automatic loading program comes with the files and runs from your PC.

NOTE When you add a new option, or update an existing option, you will get the updated version of all your current options since they are reloaded simultaneously. This process may also require you to update the instrument core firmware so that it is compatible with the new option.

You may not be able to fit all of the available measurement personalities in instrument memory at the same time, unless your instrument has Option 115. You may need to delete an existing option file from memory and load the one you want. Use the automatic update program that is provided with the files to do this.

The approximate memory requirements for the available options can be found by using the memory calculator on the following internet location:

http://www.agilent.com/find/psa_firmware

You can install an updated version of firmware and your licensed options using a LAN connection and your PC. Instructions for loading future firmware updates are available from the following internet location:

<http://www.agilent.com/find/psa/>

NOTE There is no license key for Option 266. You therefore do not need to follow the usual license key installation process.

Why Aren't All the Personality Options Loaded in Memory?

There are many measurement personality options available for use with this instrument. Some versions of instrument hardware may not have enough memory to accommodate all the options that you have ordered. If this is the case you will need to swap the applications in or out of memory as needed. It may be possible to upgrade your hardware to have more memory. Contact your local sales/service office.

NOTE The instrument must have Option B7J in order to add most of the measurement personality options. (cdmaOne, cdma2000, W-CDMA, GSM, EDGE, NADC, PDC.)

Option 115 provides additional memory which will allow you to install all currently available measurement personalities in your analyzer and still have memory space to store more trace and state files than would otherwise be possible.

Configuring Option 266 on ESA and PSA Analyzers

[Figure 1-1](#) and [Figure 1-2](#) show the menu maps to configure Option 266 (Programming Code Compatibility Suite) on your spectrum analyzer. Pressing **System, Config I/O, Configure Remote Lang, Language** on a PSA Series analyzer (or **System, Configure Remote Lang, Language** on an ESA-E or an ESA-L Series analyzer) allows you to select the remote programming language for the instrument you are replacing.

Figure 1-1 System Menu Map for Option 266 on ESA-E and ESA-L Series Analyzers

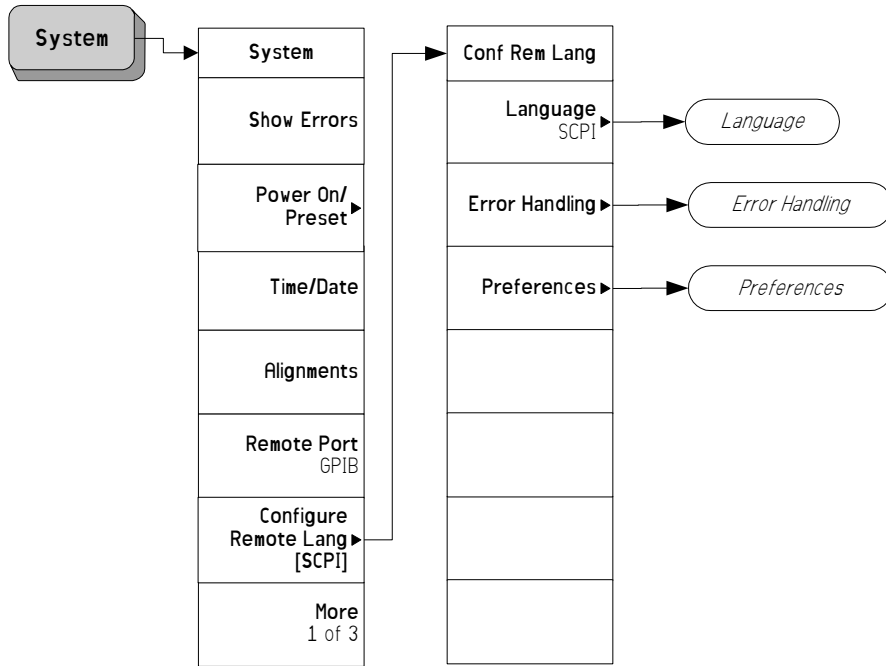


Figure 1-2 System Menu Map for Option 266 on PSA Series Analyzers

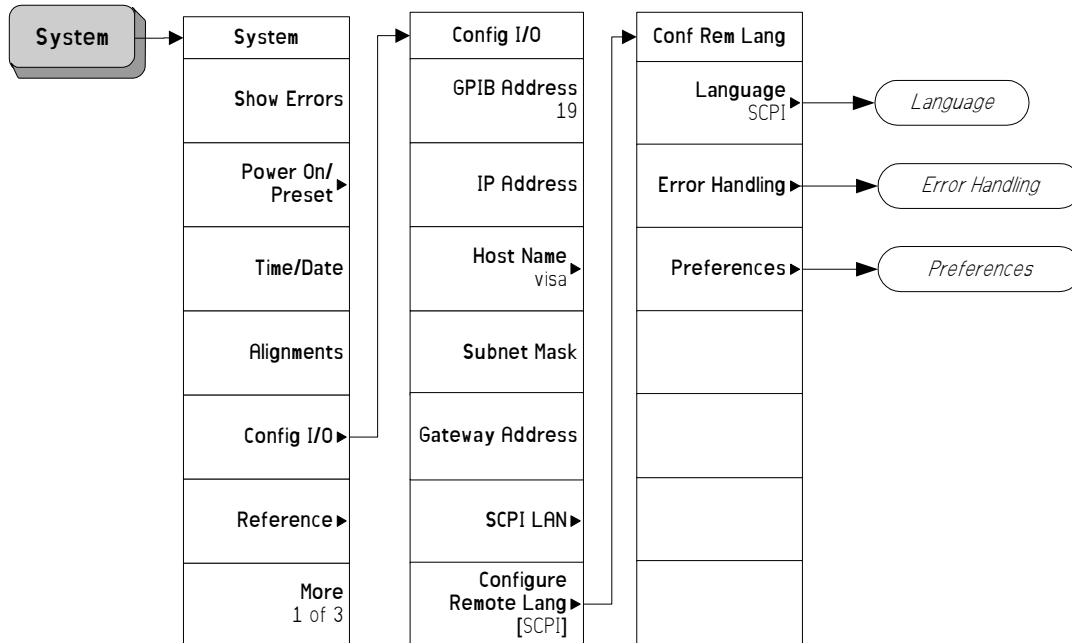
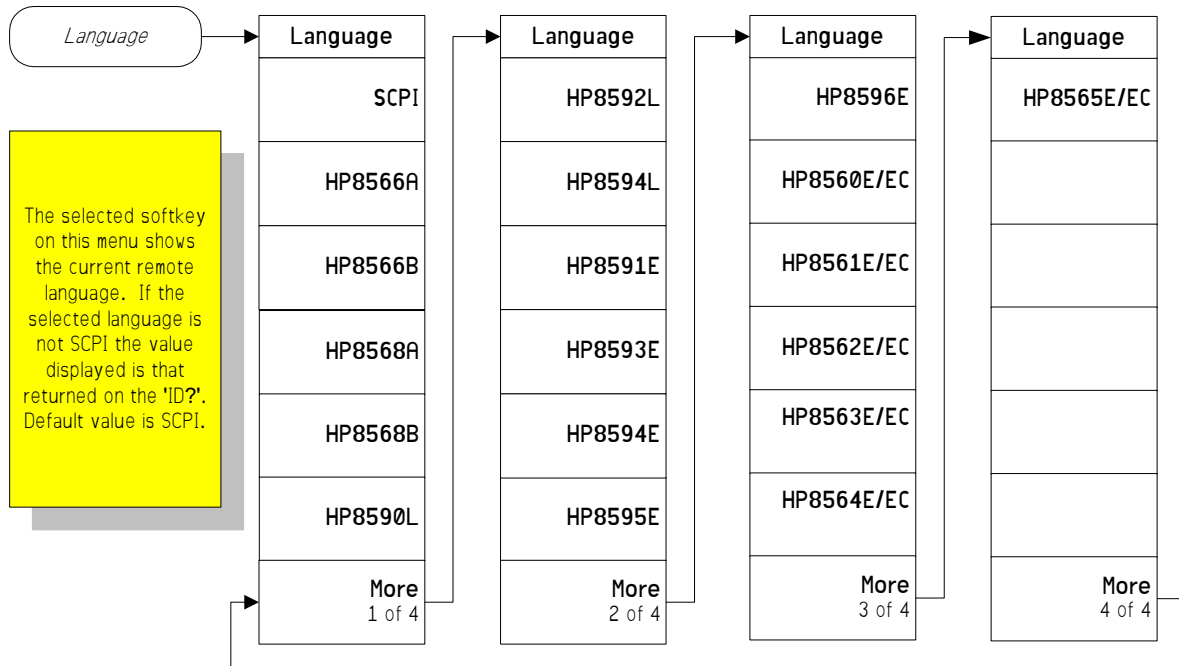


Figure 1-3 Language Link Menu Map for All Analyzers



NOTE The language softkeys are not in alphanumeric order.

NOTE The ESA-L Series analyzers do not support 8560 Series, 8566 and 8568 code compatibility. The following keys are therefore grayed out on the ESA-L Series analyzers:

- HP8566A
- HP8566B
- HP8568A
- HP8568B
- HP8560E/EC
- HP8561E/EC
- HP8562E/EC
- HP8563E/EC
- HP8564E/EC
- HP8565E/EC

Getting Started

Figure 1-4 Error Handling Link Menu Map

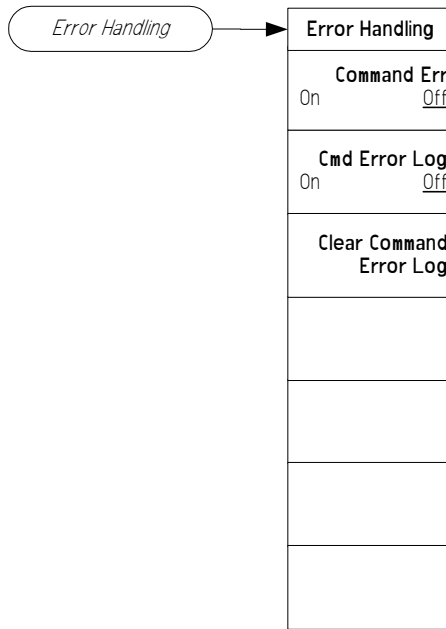
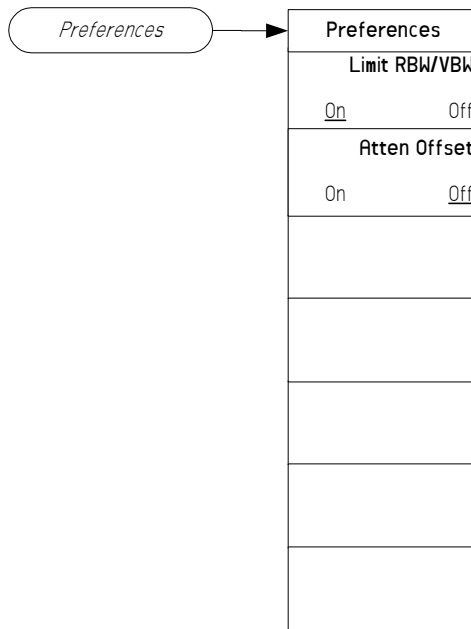


Figure 1-5 Preferences Link Menu Map



The Configure Remote Lang Screen Menu - ESA and PSA Analyzers

Configure Remote Lang

This key displays a menu allowing you to select the remote language you wish to use, and to determine how command error messages are stored and displayed.

Language

This key allows you to select which remote programming language you wish to use.

- SCPI Selects the **SCPI** remote programming language. This is the default setting after installation.
- HP8560E/EC *(Not available on ESA-L Series analyzers.)* Selects the **HP8560E/EC** remote programming language and sets the response to the remote programming command 'ID?' to **HP8560E**. It also performs an instrument preset and sets Span, Trace Points, couplings, VBW/RBW ratio, and Span/RBW ratio appropriately as shown in [Table 1-6 on page 48](#).
- HP8561E/EC *(Not available on ESA-L Series analyzers.)* Selects the **HP8561E/EC** remote programming language and sets the response to the remote programming command 'ID?' to **HP8561E**. It also performs an instrument preset and sets Span, Trace Points, couplings, VBW/RBW ratio, and Span/RBW ratio appropriately as shown in [Table 1-6 on page 48](#).
- HP8562E/EC *(Not available on ESA-L Series analyzers.)* Selects the **HP8562E/EC** remote programming language and sets the response to the remote programming command 'ID?' to **HP8562E**. It also performs an instrument preset and sets Span, Trace Points, couplings, VBW/RBW ratio, and Span/RBW ratio appropriately as shown in [Table 1-6 on page 48](#).
- HP8563E/EC *(Not available on ESA-L Series analyzers.)* Selects the **HP8563E/EC** remote programming language and sets the response to the remote programming command 'ID?' to **HP8563E**. It also performs an instrument preset and sets Span, Trace Points, couplings, VBW/RBW ratio, and Span/RBW ratio appropriately as shown in [Table 1-6 on page 48](#).
- HP8564E/EC *(Not available on ESA-L Series analyzers.)* Selects the **HP8564E/EC** remote programming language and sets the response to the remote programming command 'ID?' to **HP8564E**. It also performs an instrument preset and sets Span, Trace Points, couplings, VBW/RBW ratio, and Span/RBW ratio appropriately as shown in [Table 1-6 on page 48](#).

[Table 1-6 on page 48.](#)

HP8565E/EC	<i>(Not available on ESA-L Series analyzers.)</i> Selects the HP8565E/EC remote programming language and sets the response to the remote programming command 'ID?' to HP8565E . It also performs an instrument preset and sets Span, Trace Points, couplings, VBW/RBW ratio, and Span/RBW ratio appropriately as shown in Table 1-6 on page 48.
HP8566A	<i>(Not available on ESA-L Series analyzers.)</i> Selects the HP8566A remote programming language and sets the response to the remote programming command 'ID?' to HP8566A . It also performs an instrument preset and sets Span, Trace Points, couplings, VBW/RBW ratio, and Span/RBW ratio appropriately as shown in Table 1-6 on page 48.
HP8566B	<i>(Not available on ESA-L Series analyzers.)</i> Selects the HP8566B remote programming language and sets the response to the remote programming command 'ID?' to HP8566B . It also performs an instrument preset and sets Span, Trace Points, couplings, VBW/RBW ratio, and Span/RBW ratio appropriately as shown in Table 1-6 on page 48.
HP8568A	<i>(Not available on ESA-L Series analyzers.)</i> Selects the HP8568A remote programming language and sets the response to the remote programming command 'ID?' to HP8568A . It also performs an instrument preset and sets Span, Trace Points, couplings, VBW/RBW ratio, and Span/RBW ratio appropriately as shown in Table 1-6 on page 48.
HP8568B	<i>(Not available on ESA-L Series analyzers.)</i> Selects the HP8568B remote programming language and sets the response to the remote programming command 'ID?' to HP8568B . It also performs an instrument preset and sets Span, Trace Points, couplings, VBW/RBW ratio, and Span/RBW ratio appropriately as shown in Table 1-6 on page 48.
HP8590L	Selects the HP8590L remote programming language and sets the response to the remote programming command 'ID?' to HP8590L . It also performs an instrument preset and sets Span, Trace Points, couplings, VBW/RBW ratio, and Span/RBW ratio appropriately as shown in Table 1-6 on page 48.
HP8591E	Selects the HP8591E remote programming language and sets the response to the remote programming command 'ID?' to HP8591E . It also performs an instrument preset and sets Span, Trace Points, couplings, VBW/RBW

ratio, and Span/RBW ratio appropriately as shown in [Table 1-6 on page 48](#).

HP8592L	Selects the HP8592L remote programming language and sets the response to the remote programming command 'ID?' to HP8592L . It also performs an instrument preset and sets Span, Trace Points, couplings, VBW/RBW ratio, and Span/RBW ratio appropriately as shown in Table 1-6 on page 48 .
HP8593E	Selects the HP8593E remote programming language and sets the response to the remote programming command 'ID?' to HP8593E . It also performs an instrument preset and sets Span, Trace Points, couplings, VBW/RBW ratio, and Span/RBW ratio appropriately as shown in Table 1-6 on page 48 .
HP8594E	Selects the HP8594E remote programming language and sets the response to the remote programming command 'ID?' to HP8594E . It also performs an instrument preset and sets Span, Trace Points, couplings, VBW/RBW ratio, and Span/RBW ratio appropriately as shown in Table 1-6 on page 48 .
HP8594L	Selects the HP8594L remote programming language and sets the response to the remote programming command 'ID?' to HP8594L . It also performs an instrument preset and sets Span, Trace Points, couplings, VBW/RBW ratio, and Span/RBW ratio appropriately as shown in Table 1-6 on page 48 .
HP8595E	Selects the HP8595E remote programming language and sets the response to the remote programming command 'ID?' to HP8595E . It also performs an instrument preset and sets Span, Trace Points, couplings, VBW/RBW ratio, and Span/RBW ratio appropriately as shown in Table 1-6 on page 48 .
HP8596E	Selects the HP8596E remote programming language and sets the response to the remote programming command 'ID?' to HP8596E . It also performs an instrument preset and sets Span, Trace Points, couplings, VBW/RBW ratio, and Span/RBW ratio appropriately as shown in Table 1-6 on page 48 .

NOTE

Setting the remote language to anything other than 'SCPI' does not affect the response to the SCPI command '*IDN?'. This command will still return the model number and firmware version number of the ESA Series or PSA Series spectrum analyzer.

Table 1-6 Span, Trace Points, Couplings, VBW/RBW Ratio, and Span/RBW Ratio Settings

Remote Language	Start Freq.	Stop Freq.	Number of Trace Points	RF Coupling	VBW/RBW Ratio	Span/RBW Ratio
HP8560E/EC	0 Hz	2.9 GHz	601	AC	1	91
HP8561E/EC	0 Hz	6.5 GHz	601	AC	1	91
HP8562E/EC	0 Hz	13.2 GHz	601	AC	1	91
HP8563E/EC	0 Hz	26.5 GHz	601	AC	1	91
HP8564E/EC	0 Hz	40 GHz	601	AC	1	91
HP8565E/EC	0 Hz	50 GHz	601	AC	1	91
HP8566A	2 GHz	22 GHz	1001	DC	3 (VBW one step wider than RBW)	106
HP8566B	2 GHz	22 GHz	1001	DC	3 (VBW one step wider than RBW)	106
HP8568A	0 Hz	1.5 GHz	1001	DC	3 (VBW one step wider than RBW)	106
HP8568B	0 Hz	1.5 GHz	1001	DC	3 (VBW one step wider than RBW)	106
HP8590L	0 Hz	1.8 GHz	401	DC	0.3	106
HP8591E	0 Hz	1.8 GHz	401	DC	0.3	106
HP8592L	2.75 GHz	22 GHz	401	DC	0.3	106
HP8593E	2.75 GHz	22 GHz	401	DC	0.3	106
HP8594E	0 Hz	2.9 GHz	401	AC	0.3	106
HP8594L	0 Hz	2.9 GHz	401	DC	0.3	106
HP8595E	0 Hz	6.5 GHz	401	AC	0.3	106
HP8596E	0 Hz	12.8 GHz	401	AC	0.3	106

Command Err	This key determines whether or not command errors are displayed on the screen. When set to On , error messages generated by unrecognized commands or command arguments are displayed on the screen. When set to Off , error messages generated by unrecognized commands are not displayed. The current setting is underlined on the key label, and this setting is toggled each time the key is pressed.
Cmd Error Log	<p>This key sets command error logging On or Off. When set to On, all error messages are stored in a log file, regardless of whether they have been displayed on the screen. When set to Off, no further command error messages are written to the log file.</p> <p>The log file is an ASCII text file called LOGFILE.TXT on the C: drive. It has a maximum size of 32 KB. Once it has reached its maximum size, no further error messages will be recorded, but a message will be displayed prompting you to clear the log file. Switching Cmd Error Log to Off does not clear the log file. Only the Clear Command Error Log softkey will clear the error log.</p>
Clear Command Error Log	This key allows you to clear all messages from the command error log file LOGFILE.TXT. You will be asked to press the key a second time to confirm your decision to clear the log file.
Limit RBW/VBW	This key toggles the Limit RBW/VBW between On and Off. Setting it to On causes the range of values for resolution and video bandwidths to be limited, dependent on the remote language selected.
NOTE	<p>This restriction on RBW and VBW range changes to use the base PSA range of bandwidths if the detector type is set to Quasi Peak, MIL Peak, EMI Average, or Average.</p> <p>Setting this key to Off causes the resolution bandwidth and video bandwidth filters to use the base PSA range of values for all remote languages.</p>
Atten Offset	This key toggles a supplemental attenuation On and Off. The default state is Off. Setting it to On sets a fixed 12 dB supplemental attenuation in the hardware to prevent too great a signal at the input to the mixer (0 dBm maximum) for reference level settings of up to +12 dBm. The selected condition is preserved when Preset is pressed or power is cycled.

Running Software that Requires SCPI Commands

When a Remote Language other than SCPI has been selected, you will only have access to a very small subset of SCPI commands. If you are not familiar with the SCPI remote programming language, [Chapter 5](#), “A Brief Introduction to the SCPI Language,” on page 405 contains some useful information.

The SCPI commands available while using other remote languages are:

- ***IDN?**
Queries and returns the instrument identification string.
- ***RST**
Performs an instrument preset.
- **:SYSTem:LANGUage SCPI | HP8560E | HP8561E | HP8562E | HP8563E | HP8564E | HP8565E | HP8566A | HP8566B | HP8568A | HP8568B | HP8590L | HP8591E | HP8592L | HP8593E | HP8594E | HP8594L | HP8595E | HP8596E**
Sets the current remote language. This command is only available if you have Option 266 installed on your analyzer.

NOTE

Agilent Technologies recommends that you do not repeatedly swap to and from the SCPI language within your programs.

- **:SYSTem:LANGUage?**
Queries and returns the current remote language. This command is only available if you have Option 266 installed on your analyzer.
- **[:SENSe]:SWEep:TYPE AUTO|SWEep|FFT**
Sets the Sweep Type. This command is only valid on the PSA Series of analyzers.
- **[:SENSe]:SWEep:TYPE?**
Queries and returns the Sweep Type. This command is only valid on the PSA Series of analyzers.
- **[:SENSe]:SWEep:TYPE:AUTO:RULEs SPEed|DRANge**
Sets the auto rule setting for FFT and Sweep Type. This command is only valid on the PSA Series of analyzers.
- **[:SENSe]:SWEep:TYPE:AUTO:RULEs?**
Queries and returns the auto rule setting for FFT and Sweep Type. This command is only valid on the PSA Series of analyzers.
- **:SYSTem:OPTion?**

Returns a list of installed options.

If Option 266 is installed on your analyzer, the string “266” will appear in the returned string. In the following example, options B7J, 266, and 110 are all installed.

Example: “B7J, 266, 110”

To return the analyzer to its full ESA or PSA SCPI capability, you must specify the remote language as SCPI.

Service and Calibration

Since the Performance Verification and Adjustment Software uses the SCPI command language, you will need to set Remote Language to SCPI prior to calibration or service of your Agilent spectrum analyzer.

When your analyzer is returned from an Agilent Technologies service center, you may have to reinstall Option 266. Refer to [“Installing/Uninstalling Option 266 - ESA Series Analyzers Only”](#) on page 33 or [“Installing Option 266 - PSA Series Analyzers Only”](#) on page 40.

Documentation for Option 266

Spectrum Analyzers with Option 266

When you purchase your PSA Series spectrum analyzer with the Programming Code Compatibility Suite (Option 266), you will receive this manual - the *Programming Code Compatibility Suite Guide*. For information on ESA series analyzers and other related documentation, refer to the ESA web site at <http://www.agilent.com/find/esa/>. For information on PSA series analyzers and other related documentation, refer to the PSA web site at <http://www.agilent.com/find/psa/>.

This *Programming Code Compatibility Suite Guide* is not designed to be a comprehensive guide to all legacy commands. It gives brief descriptions of the supported commands, and highlights important functional or behavioral differences that you should be aware of when transferring your existing code to your ESA-E Series, ESA-L Series, or PSA Series analyzer. For a fuller description of these commands, refer to the manuals supplied with your original analyzer.

Spectrum Analyzer Updates

For the latest information about this instrument, including software upgrades, application information, and product information, please visit the URLs listed below.

Updating the Firmware and Software

Updated versions of the Agilent Spectrum Analyzers' firmware and software will be available via several sources. Information on the latest firmware and software revision can be accessed through the following URLs.

URLs to Obtain Update Information

For ESA analyzers: <http://www.agilent.com/find/esa/>

For PSA analyzers: <http://www.agilent.com/find/psa/>

NOTE

PSA Series only: If you have received Option 266 as an upgrade, the latest version of the analyzer's firmware has been included and should be loaded into your instrument before installing the Option 266.

ESA-E and ESA-L Series only: If you have received Option 266 as an upgrade, the latest version of the analyzer's firmware is not automatically included. See [“Updating the Firmware and Software” on page 53](#) for further information.

2 Legacy Analyzer Command List

Table of All Legacy Analyzer Commands

The following table lists all of the original programming commands from the legacy analyzers (that is, the 8566A/B, the 8568A/B, the 8560 Series and the 8590 Series), and indicates which are supported in Option 266. Refer to the alphabetical listing of commands in [Chapter 4](#), “Programming Commands,” on [page 91](#) for more detailed information about each supported command.

Table 2-1 **Alphanumeric List of all Legacy Commands Showing their Option 266 Support**

Command	Description	8566	8568	8590 Series	8560 Series	Page for Further Details
A1	Clear-writes trace A	Yes	Yes	Yes	Yes	Page 95
A2	Max Holds trace A	Yes	Yes	Yes	Yes	Page 96
A3	View trace A	Yes	Yes	Yes	Yes	Page 97
A4	Blanks trace A	Yes	Yes	Yes	Yes	Page 98
ABORT	Interrupt operation of all user-defined functions	N/A	N/A	No	No	
ABS	Absolute	No	No	No	No	
ACP	Performs the adjacent channel power measurement	N/A	N/A	Yes	N/A	Page 99
ACPACCL	Accelerate adjacent channel power measurement	N/A	N/A	N/A	No	
ACPALPHA	Adjacent channel power alpha weighting	N/A	N/A	N/A	Yes	Page 100
ACPALTCH	Adjacent channel power alternate channels	N/A	N/A	N/A	Yes	Page 101
ACPBRPER	Adjacent channel power burst period	N/A	N/A	N/A	Yes	Page 102
ACPBRWID	Adjacent channel power burst width	N/A	N/A	N/A	Yes	Page 103
ACPBW	Specifies channel bandwidth for ACP measurement	N/A	N/A	Yes	Yes	Page 104
ACPCOMPUTE	Compute adjacent channel power	N/A	N/A	N/A	Yes	Page 105

Table 2-1 Alphanumeric List of all Legacy Commands Showing their Option 266 Support

Command	Description	8566	8568	8590 Series	8560 Series	Page for Further Details
ACPCONTM	Performs ACP measurement in continuous sweep	N/A	N/A	No	N/A	
ACPE	Adjacent channel power extended	N/A	N/A	No	N/A	
ACPERR	ACP measurement error query	N/A	N/A	No	N/A	
ACPFREQWT	Adjacent channel power frequency weighting	N/A	N/A	N/A	Yes	Page 106
ACPGR	Adjacent channel power graph on or off	N/A	N/A	No	N/A	
ACPGGRAPH	Compute adjacent channel power graph	N/A	N/A	No	No	
ACPLOWER	Lower adjacent channel power	N/A	N/A	Yes	Yes	Page 107
ACPMAX	Maximum adjacent channel power	N/A	N/A	Yes	Yes	Page 108
ACPMEAS	Measure adjacent channel power	N/A	N/A	Yes	Yes	Page 109
ACPMETHOD	Adjacent channel power measurement method	N/A	N/A	N/A	No	
ACPMK	Adjacent channel power marker on or off	N/A	N/A	No	N/A	
ACPMSTATE	Adjacent channel power measurement state	N/A	N/A	Yes	Yes	Page 110
ACPPAR	ACP manual or auto	N/A	N/A	Yes	N/A	Page 111
ACPPWRTX	Total power transmitted	N/A	N/A	Yes	Yes	Page 112
ACPRSLTS	Adjacent channel power measurement results	N/A	N/A	Yes	Yes	Page 113
ACPSNGLM	Performs ACP measurement in single sweep	N/A	N/A	No	N/A	
ACPSP	Channel spacing	N/A	N/A	Yes	Yes	Page 114
ACPT	Adjacent channel power T weighting	N/A	N/A	N/A	Yes	Page 115

Legacy Analyzer Command List

Table 2-1 Alphanumeric List of all Legacy Commands Showing their Option 266 Support

Command	Description	8566	8568	8590 Series	8560 Series	Page for Further Details
ACPUPPER	Upper adjacent channel power	N/A	N/A	Yes	Yes	Page 116
ACTDEF	Give user-defined function active status	N/A	N/A	No	N/A	
ACTVF	Active function	N/A	N/A	No	N/A	
ACTVFUNC	Creates a user defined active function	N/A	N/A	N/A	No	
ADD	Add	No	No	No	No	
ADJALL	LO & IF adjustment	N/A	N/A	N/A	Yes	Page 117
ADJCRT	Adjust CRT alignment	N/A	N/A	N/A	No	
ADJIF	Adjust IF	N/A	N/A	N/A	No	
AMB	Trace A - trace B -> trace A	Yes	Yes	Yes	Yes	Page 118
AMBPL	Trace A - trace B + Display Line -> trace A	Yes	Yes	Yes	Yes	Page 119
AMPCOR	Applies amplitude correction at specified frequencies	N/A	N/A	Yes	Yes	Page 121
AMPCORDATA	Amplitude correction data	N/A	N/A	N/A	No	
AMPCORSAVE	Save amplitude correction data	N/A	N/A	N/A	No	
AMPCORSIZE	Amplitude correction data array size	N/A	N/A	N/A	No	
AMPCORRCL	Amplitude correction recall	N/A	N/A	N/A	No	
AMPLEN	Amplitude correction length	N/A	N/A	No	N/A	
ANLGPLUS	Turns on or off the Analog+ display mode	N/A	N/A	No	N/A	
ANNOT	Display Annotation	Yes	Yes	Yes	Yes	Page 123
APB	Trace A + trace B -> trace A	Yes	Yes	Yes	Yes	Page 124
ARRAYDEF	Defines an array	N/A	N/A	N/A	No	
AT	Input Attenuation	Yes	Yes	Yes	Yes	Page 125
AUNITS	Amplitude Units	Yes	Yes	Yes	Yes	Page 127

Table 2-1 Alphanumeric List of all Legacy Commands Showing their Option 266 Support

Command	Description	8566	8568	8590 Series	8560 Series	Page for Further Details
AUTO	Auto couple	N/A	N/A	Yes	N/A	Page 129
AUTOCP	Auto couple	N/A	N/A	N/A	Yes	Page 131
AUTOEXEC	Turns on or off the function defined with AUTOFUNC	N/A	N/A	N/A	No	
AUTOFUNC	Defines a function for automatic execution	N/A	N/A	N/A	No	
AUTOSAVE	Automatically saves trace	N/A	N/A	N/A	No	
AVG	Average	No	No	No	No	
AXB	Exchange Traces A & B	Yes	Yes	Yes	Yes	Page 132
B1	Clear-writes trace B	Yes	Yes	Yes	Yes	Page 133
B2	Max Holds trace B	Yes	Yes	Yes	Yes	Page 134
B3	View trace B	Yes	Yes	Yes	Yes	Page 135
B4	Blanks trace B	Yes	Yes	Yes	Yes	Page 136
BAUDRATE	Baud rate of spectrum analyzer	N/A	N/A	No	N/A	
BIT	Return or receive state of bit	N/A	N/A	No	N/A	
BITF	Bit flag	N/A	N/A	No	N/A	
BL	Trace B - Display line -> trace B	Yes	Yes	Yes	N/A	Page 137
BLANK	Blanks specified trace	Yes	Yes	Yes	Yes	Page 138
BML	Trace B - Display line -> trace B	Yes	Yes	Yes	Yes	Page 139
BRD	Bus Read	No	No	N/A	N/A	
BTC	Transfer trace B to C	Yes	Yes	Yes	N/A	Page 140
BWR	Bus Write	No	No	N/A	N/A	
BXC	Exchange Traces B & C	Yes	Yes	Yes	N/A	Page 141
C1	Turns off A - B	Yes	Yes	Yes	Yes	Page 142
C2	A - B -> A	Yes	Yes	Yes	Yes	Page 143
CA	Couples Attenuation	Yes	Yes	Yes	Yes	Page 144
CAL	Calibrate	N/A	N/A	Yes	N/A	Page 145

Legacy Analyzer Command List

Table 2-1 Alphanumeric List of all Legacy Commands Showing their Option 266 Support

Command	Description	8566	8568	8590 Series	8560 Series	Page for Further Details
CARDLOAD	Copies data from memory card to module memory	N/A	N/A	N/A	No	
CARDSTORE	Copies data to memory card	N/A	N/A	N/A	No	
CARROFF	Carrier off power	N/A	N/A	N/A	No	
CARRON	Carrier on power	N/A	N/A	N/A	Yes	Page 146
CAT	Catalog	N/A	N/A	No	N/A	
CATALOG	Catalog	N/A	N/A	N/A	No	
CF	Center Frequency	Yes	Yes	Yes	Yes	Page 147
CHANNEL	Channel selection	N/A	N/A	N/A	Yes	Page 148
CHANPWR	Channel power	N/A	N/A	N/A	Yes	Page 149
CHP	Performs the channel power measurement	N/A	N/A	Yes	N/A	Page 150
CHPGR	Channel power graph on or off	N/A	N/A	No	N/A	
CHPWRBW	Channel power bandwidth	N/A	N/A	N/A	Yes	Page 151
CLRAVG	Reset avg. counter to 1	Yes	Yes	Yes	N/A	Page 152
CLRBOX	Clears a rectangular area on the analyzer display	N/A	N/A	No	N/A	
CLRDSP	Clear display	N/A	N/A	No	No	
CLRSCHED	Clears autosave & autoexec schedule buffer	N/A	N/A	N/A	No	
CLRW	Clear-writes specified trace	Yes	Yes	Yes	Yes	Page 153
CLS	Clear status byte	N/A	N/A	Yes	N/A	Page 154
CMDERRQ	Command error query	N/A	N/A	No	N/A	
CNF	Confidence test	N/A	N/A	No	N/A	
CNTLA	Auxiliary interface control line A	N/A	N/A	No	No	
CNTLB	Auxiliary interface control line B	N/A	N/A	No	No	
CNTLC	Auxiliary interface control line C	N/A	N/A	No	No	

Table 2-1 Alphanumeric List of all Legacy Commands Showing their Option 266 Support

Command	Description	8566	8568	8590 Series	8560 Series	Page for Further Details
CNTLD	Auxiliary interface control line D	N/A	N/A	No	No	
CNTLI	Auxiliary interface control line input	N/A	N/A	No	No	
CNVLOSS	Selects ref level offset to calibrate amplitude display	No	N/A	N/A	No	
COMB	Turns the comb generator on or off	N/A	N/A	No	N/A	
COMPRESS	Compress	No	No	No	N/A	
CONCAT	Concat	No	No	No	N/A	
CONTS	Continuous sweep mode	Yes	Yes	Yes	Yes	Page 155
CORREK	Correction factors on	N/A	N/A	Yes	N/A	Page 156
COUPLE	Selects AC or DC coupling	N/A	N/A	Yes	Yes	Page 157
CR	Couples Resolution BW	Yes	Yes	Yes	Yes	Page 158
CRTHPOS	Horizontal position of CRT display	N/A	N/A	No	N/A	
CRTVPOS	Vertical position of CRT display	N/A	N/A	No	N/A	
CS	Couples Step Size	Yes	Yes	Yes	Yes	Page 159
CT	Couples Sweep Time	Yes	Yes	Yes	Yes	Page 160
CTA	Converts display units to dBm	No	No	No	N/A	
CTM	Converts dBm to display units	No	No	No	N/A	
CTRLHPIB	Allows SA to control HP-IB	N/A	N/A	N/A	No	
CV	Couples Video Bandwidth	Yes	Yes	Yes	Yes	Page 161
D1	Sets display to normal size	No	No	N/A	N/A	
D2	Sets display to full CRT size	No	No	N/A	N/A	
D3	Sets display to expanded size	No	No	N/A	N/A	
DA	Display Memory Address	Yes	Yes	Yes	N/A	Page 162
DATEMODE	Set the date display format	N/A	N/A	No	No	

Legacy Analyzer Command List

Table 2-1 Alphanumeric List of all Legacy Commands Showing their Option 266 Support

Command	Description	8566	8568	8590 Series	8560 Series	Page for Further Details
DD	Display write binary	No	No	N/A	N/A	
DELMKBW	Occupied power bandwidth within delta marker	N/A	N/A	N/A	Yes	Page 163
DEM0D	Turns the demodulator on or off	N/A	N/A	Yes	Yes	Page 164
DEM0DAGC	Demodulation automatic gain control	N/A	N/A	N/A	No	
DEM0DPT	Demodulation time	N/A	N/A	N/A	No	
DET	Detection Mode	Yes	Yes	Yes	Yes	Page 165
DISPOSE	Frees Memory	No	No	No	No	
DIV	Divide	No	No	No	No	
DL	Display Line Level	Yes	Yes	Yes	Yes	Page 167
DLE	Turns the display line on/off	Yes	Yes	N/A	N/A	Page 169
DLYSWP	Delay sweep	N/A	N/A	N/A	Yes	Page 170
DN	Reduces the active function by applicable step size	N/A	N/A	No	N/A	
DONE	Synchronizing function	Yes	Yes	Yes	Yes	Page 171
DOTDENS	Sets the dot density value in Analog+ display mode	N/A	N/A	No	N/A	
DR	Display Memory Address Read	No	No	N/A	N/A	
DRAWBOX	Draws a rectangular box on analyzer display	N/A	N/A	No	N/A	
DSPLY	Display	No	No	No	No	
DT	Define Terminator	No	No	No	N/A	
DW	Display Memory Address Write	No	No	N/A	N/A	
E1	Active marker to maximum signal	Yes	Yes	Yes	Yes	Page 172
E2	Active marker to center frequency	Yes	Yes	Yes	Yes	Page 173
E3	Active marker frequency to CF step size	Yes	Yes	Yes	Yes	Page 174

**Table 2-1 Alphanumeric List of all Legacy Commands Showing their
Option 266 Support**

Command	Description	8566	8568	8590 Series	8560 Series	Page for Further Details
E4	Active marker to reference level	Yes	Yes	Yes	Yes	Page 175
EDITDONE	Indicates limit line editing is complete	N/A	N/A	N/A	Yes	Page 176
EDITLIML	Allows current limit line to be edited	N/A	N/A	N/A	Yes	Page 177
EE	Enable entry	No	No	No	N/A	
EK	Enable knob	No	No	No	N/A	
ELSE	Conditional Programming (If...then...else...endif)	No	No	N/A	No	
EM	Erase trace C memory	No	No	No	No	
ENDIF	Conditional Programming (If...then...else...endif)	No	No	N/A	N/A	
ENTER	Enter from HP-IB	No	No	No	No	
EP	Enter parameter function	N/A	N/A	No	N/A	
ERASE	User memory & registers erased	No	No	No	N/A	
ERR	Queries the error queue	Yes	Yes	N/A	Yes	Page 178
ET	Elapsed time	N/A	N/A	N/A	Yes	Page 179
EX	Exchanges trace A & B	Yes	Yes	Yes	Yes	Page 180
EXP	Exponential	No	No	No	No	
EXTMXR	Presets external mixing mode	No	N/A	N/A	No	
FA	Start frequency	Yes	Yes	Yes	Yes	Page 181
FB	Stop frequency	Yes	Yes	Yes	Yes	Page 182
FDIAG	Frequency diagnostics	N/A	N/A	N/A	No	
FDSP	Frequency display off	N/A	N/A	N/A	Yes	Page 183
FFT	Fast fourier transform	No	No	No	No	
FFTAUTO	Marker to Auto FFT	N/A	N/A	No	N/A	
FFTCLIP	FFT signal clipped	N/A	N/A	No	N/A	
FFTCONTS	FFT continuous sweep	N/A	N/A	No	N/A	

Legacy Analyzer Command List

Table 2-1 Alphanumeric List of all Legacy Commands Showing their Option 266 Support

Command	Description	8566	8568	8590 Series	8560 Series	Page for Further Details
FFTKNL	Fast fourier transform kernel	No	No	N/A	N/A	
FFTMKR	FFT markers	N/A	N/A	No	N/A	
FFTMM	FFT marker to midscreen	N/A	N/A	No	N/A	
FFTMS	FFT marker to FFT stop frequency	N/A	N/A	No	N/A	
FFTOFF	FFT off	N/A	N/A	No	N/A	
FFTPCTAM	FFT percent amplitude modulation	N/A	N/A	No	N/A	
FFTPCTAMR	FFT percent amplitude modulation readout	N/A	N/A	No	N/A	
FFTSNGLS	FFT single sweep	N/A	N/A	No	N/A	
FFTSTAT	FFT status	N/A	N/A	No	N/A	
FFTSTOP	FFT stop frequency	N/A	N/A	No	N/A	
FMGAIN	FM gain	N/A	N/A	No	N/A	
FOFFSET	Frequency offset	Yes	Yes	Yes	Yes	Page 184
FORMAT	Erase & format the selected memory device	N/A	N/A	No	No	
FPKA	Fast preselector peak	Yes	N/A	N/A	N/A	Page 185
FREF	Frequency reference	N/A	N/A	N/A	Yes	Page 186
FS	Full frequency span	Yes	Yes	Yes	Yes	Page 187
FULBAND	Set start/stop freq for ext mixing bands	No	N/A	N/A	No	
FUNCDEF	Function definition	No	No	No	No	
GATE	Turn time-gating on or off	N/A	N/A	Yes	Yes	Page 191
GATECTL	Gate control	N/A	N/A	Yes	Yes	Page 192
GC	Gate preset	N/A	N/A	No	N/A	
GD	Gate delay	N/A	N/A	Yes	Yes	Page 193
GDRVCLPAR	Clear pulse parameters	N/A	N/A	No	N/A	
GDRVGDEL	Gate Delay for the frequency window	N/A	N/A	No	N/A	

Table 2-1 Alphanumeric List of all Legacy Commands Showing their Option 266 Support

Command	Description	8566	8568	8590 Series	8560 Series	Page for Further Details
GDRVLEN	Gate length for frequency & time windows	N/A	N/A	No	N/A	
GDRVGT	Turns gate in frequency window on or off	N/A	N/A	No	N/A	
GDRVGTIM	Gate trigger to marker position for time window	N/A	N/A	No	N/A	
GDRVPRI	Pulse repetition interval	N/A	N/A	No	N/A	
GDRVPWID	Pulse width	N/A	N/A	No	N/A	
GDRVRBW	Couple resolution bandwidth to pulse width	N/A	N/A	No	N/A	
GDRVREFE	Enter reference edge	N/A	N/A	No	N/A	
GDRVST	Couple sweep time to pulse repetition interval	N/A	N/A	No	N/A	
GDRVSWAP	Update the time or frequency window	N/A	N/A	No	N/A	
GDRVSWDE	Delay sweep for time window	N/A	N/A	No	N/A	
GDRVSWP	Sweep time for the time window	N/A	N/A	No	N/A	
GDRVUTIL	Turns the gate utility on or off	N/A	N/A	No	N/A	
GDRVVBW	Couple video bandwidth to the gate length	N/A	N/A	No	N/A	
GETPLOT	Get plot	N/A	N/A	No	N/A	
GETPRNT	Get print	N/A	N/A	No	N/A	
GL	Gate length	N/A	N/A	Yes	Yes	Page 194
GP	Sets the polarity (positive/negative) of the gate trigger	N/A	N/A	Yes	Yes	Page 195
GR	Plot GPIB input as Graphs	No	No	No	N/A	
GRAT	Graticule on/off	Yes	Yes	Yes	Yes	Page 196
HAVE	Checks for options installed	N/A	N/A	No	N/A	
HD	Holds data entry	No	No	Yes	No	Page 197

Legacy Analyzer Command List

Table 2-1 Alphanumeric List of all Legacy Commands Showing their Option 266 Support

Command	Description	8566	8568	8590 Series	8560 Series	Page for Further Details
HN	Harmonic number	N/A	N/A	No	N/A	
HNLOCK	Harmonic lock	No	N/A	No	No	
HNUNLK	Harmonic band unlock	No	N/A	No	No	
IB	Input to trace B memory	No	No	No	N/A	
I1	Sets the RF coupling to AC	N/A	Yes	N/A	N/A	Page 198
I2	Sets the RF coupling to DC	N/A	Yes	N/A	N/A	Page 200
ID	Instrument identification	Yes	Yes	Yes	Yes	Page 202
IDCF	Identified signal to center frequency	N/A	N/A	N/A	No	
IDFREQ	Identified signal frequency	N/A	N/A	N/A	No	
IDSTAT	Signal identifier status	No	N/A	N/A	N/A	
IF	Conditional Programming (If...then...else...endif)	No	No	No	No	
IFTKNL	16 bit discrete fourier transform	No	No	N/A	N/A	
INT	Integer	No	No	No	No	
INZ	Input impedance	N/A	N/A	Yes	N/A	Page 203
IP	Instrument preset	Yes	Yes	Yes	Yes	Page 204
KEYCLR	Clear user defined keys	N/A	N/A	No	No	
KEYCMD	Define function & label of softkey	N/A	N/A	No	N/A	
KEYDEF	Assign function to soft key	No	No	No	No	
KEYENH	Key enhance	N/A	N/A	No	N/A	
KEYEXC	Executes specified soft key	No	No	No	N/A	
KEYLBL	Relabels softkey without changing its function	N/A	N/A	No	N/A	
KS,	Mixer level	Yes	Yes	N/A	N/A	Page 205
KS=	HP8566: Selects factory preselector setting HP8568: Marker counter frequency resolution	No	Yes	No	No	Page 206
KS(Locks the save registers	No	No	N/A	N/A	

Table 2-1 Alphanumeric List of all Legacy Commands Showing their Option 266 Support

Command	Description	8566	8568	8590 Series	8560 Series	Page for Further Details
KS)	Unlocks the save registers	No	No	N/A	N/A	
KS>	Specifies preamp gain for signal input 2	N/A	No	N/A	N/A	
KS<	Specifies preamp gain for signal input 1	N/A	No	N/A	N/A	
KS	Display memory address write	No	No	N/A	N/A	
KS#	Turns off YTX self-heating correction	No	N/A	N/A	N/A	
KS/	Allows preselector to be peaked manually	No	N/A	N/A	N/A	
KS123	Returns up to 1001 words display memory	No	No	N/A	N/A	
KS125	Writes up to 1001 display memory words	No	No	N/A	N/A	
KS126	Returns every Nth value of a trace	No	No	N/A	N/A	
KS127	Sets analyzer to accept binary display write	No	No	N/A	N/A	
KS39	Writes display memory address in fast binary	No	No	N/A	N/A	
KS43	Sets SRQ 102 when frequency limit exceeded	No	No	N/A	N/A	
KS91	Returns the amplitude error	No	No	N/A	N/A	
KS92	Specifies value DL, TH, active mkr in display units	No	No	N/A	N/A	
KS94	Returns code for harmonic number in binary	No	No	N/A	N/A	
KSA	Sets amplitude units to dBm	Yes	Yes	Yes	N/A	Page 207
KSa	Selects normal detection	Yes	Yes	N/A	N/A	Page 208
KSB	Sets amplitude units to dBmV	Yes	Yes	Yes	N/A	Page 209

Legacy Analyzer Command List

Table 2-1 Alphanumeric List of all Legacy Commands Showing their Option 266 Support

Command	Description	8566	8568	8590 Series	8560 Series	Page for Further Details
KSb	Selects positive peak detection	Yes	Yes	N/A	N/A	Page 210
KSC	Sets amplitude units to dBuV	Yes	Yes	Yes	N/A	Page 211
KSc	Trace A + trace B -> trace A	Yes	Yes	Yes	N/A	Page 212
KSD	Sets amplitude units to V	Yes	Yes	Yes	N/A	Page 213
KSd	Selects negative peak detection	Yes	Yes	N/A	N/A	Page 214
KSE	Sets the analyzer title mode	Yes	Yes	Yes	N/A	Page 215
KSe	Selects sample detection	Yes	Yes	N/A	N/A	Page 216
KSF	HP8566: Shifts the YTO HP8568: Measures the Sweep Time	No	No	N/A	N/A	
KSf	Recover last instrument state at power on	No	No	N/A	N/A	
KSG	Turns on video averaging	Yes	Yes	Yes	N/A	Page 217
KSG	Turns off the display	Yes	Yes	N/A	N/A	Page 218
KSH	Turns off video averaging	Yes	Yes	Yes	N/A	Page 219
KSh	Turns on the display	Yes	Yes	N/A	N/A	Page 220
KSI	Allows the reference level to be extended	No	No	N/A	N/A	
KSi	Exchanges traces B & C	Yes	Yes	Yes	N/A	Page 221
KSJ	Manual control of DACs	No	No	N/A	N/A	
KSj	Views trace C	Yes	Yes	N/A	N/A	Page 222
KSK	HP8566: Active Mkr to next highest peak HP8568: Counts pilot IF at marker	Yes	No	N/A	N/A	Page 223
KSk	Blanks trace C	Yes	Yes	N/A	N/A	Page 224
KSL	Turns off marker noise function	Yes	Yes	N/A	N/A	Page 225
KSl	Moves trace B into trace C	Yes	Yes	Yes	N/A	Page 226

Table 2-1 Alphanumeric List of all Legacy Commands Showing their Option 266 Support

Command	Description	8566	8568	8590 Series	8560 Series	Page for Further Details
KSM	Turns on marker noise function	Yes	Yes	Yes	N/A	Page 227
KSm	Turns off the graticule	Yes	Yes	Yes	N/A	Page 229
KSN	Marker minimum value detected	Yes	No	N/A	N/A	Page 230
KSn	Turns on the graticule	Yes	Yes	Yes	N/A	Page 231
KSO	Marker span	Yes	Yes	Yes	N/A	Page 232
KSo	Turns off the annotation	Yes	Yes	Yes	N/A	Page 233
KSP	GPIB address	No	No	N/A	N/A	
KSp	Turns on the annotation	Yes	Yes	Yes	N/A	Page 234
KSQ	Unlocks frequency band	No	No	N/A	N/A	
KSq	Decouples IF gain and input attenuation	No	No	N/A	N/A	
KSR	Turns on service diagnostics	No	No	N/A	N/A	
KSr	Sets service request 102	No	No	N/A	N/A	
KSS	HP8566: Fast GPIB operation HP8568: Determine second LO frequency	No	No	N/A	N/A	
KST	HP8566: Fast preset HP8568: Shifts second LO down	Yes	No	N/A	N/A	Page 235
KSt	HP8566: Locks frequency band HP8568: Continues sweep from marker	No	No	N/A	N/A	
KSU	HP8566: External mixer preset HP8568: Shift second LO up	No	No	N/A	N/A	
KSu	Stops the sweep at the active marker	No	No	N/A	N/A	
KSV	Frequency offset	Yes	Yes	N/A	N/A	Page 236

Legacy Analyzer Command List

Table 2-1 Alphanumeric List of all Legacy Commands Showing their Option 266 Support

Command	Description	8566	8568	8590 Series	8560 Series	Page for Further Details
KSv	HP8566: External mixer frequency identifier HP8568: Inhibits phase lock	No	No	N/A	N/A	
KSW	Amplitude error correction routine	No	No	N/A	N/A	
KSw	Displays amplitude error correction routine	No	No	N/A	N/A	
KSX	Amplitude correction factors on	No	No	N/A	N/A	
KSx	Sets trigger mode to external	Yes	Yes	N/A	N/A	Page 237
KSY	Amplitude correction factors off	No	No	N/A	N/A	
KSy	Sets trigger mode to video	Yes	Yes	N/A	N/A	Page 238
KSZ	Reference level offset	Yes	Yes	Yes	N/A	Page 239
KSz	Sets the display storage address	No	No	N/A	N/A	
L0	Turns off the display line	Yes	Yes	Yes	Yes	Page 240
LB	Writes text label	No	No	No	No	
LCLVAR	Defines a local variable for use	N/A	N/A	N/A	No	
LF	Preset 0-2.5GHz	Yes	N/A	Yes	N/A	Page 241
LG	Selects log scale	Yes	Yes	Yes	Yes	Page 242
LIMD	Delta amplitude value for limit line segment	N/A	N/A	N/A	Yes	Page 244
LIMF	Frequency value for limit-line segment	N/A	N/A	N/A	Yes	Page 245
LIMIDEL	Erase contents of limit line table	N/A	N/A	Yes	N/A	Page 246
LIMIDISP	Controls when the limit line(s) are displayed	N/A	N/A	Yes	N/A	Page 247
LIMIFAIL	Limit line fail	N/A	N/A	Yes	Yes	Page 248

Table 2-1 Alphanumeric List of all Legacy Commands Showing their Option 266 Support

Command	Description	8566	8568	8590 Series	8560 Series	Page for Further Details
LIMIFT	Select frequency or time limit line	N/A	N/A	Yes	N/A	Page 249
LIMIHI	Upper limit	N/A	N/A	No	N/A	
LIMILINE	Limit line	N/A	N/A	No	N/A	
LIMILO	Lower limit	N/A	N/A	No	N/A	
LIMIMIRROR	Mirror limit line	N/A	N/A	No	N/A	
LIMIMODE	Limit line entry mode	N/A	N/A	No	N/A	
LIMIPURGE	Disposes of current limit line, not limit line table	N/A	N/A	N/A	Yes	Page 250
LIMIRCL	Load stored limit line into limit line table	N/A	N/A	N/A	No	
LIMIREL	Determine whether limit line values absolute/relative	N/A	N/A	Yes	Yes	Page 251
LIMISAV	Save contents of limit line table for recall	N/A	N/A	N/A	No	
LIMISEG	Define slope & offset of limit line segments	N/A	N/A	No	N/A	
LIMISEGT	Enter limit line segment for sweep time	N/A	N/A	No	N/A	
LIMITEST	Compare active trace data to limit line parameters	N/A	N/A	Yes	Yes	Page 252
LIML	Amplitude value for limit line segment in lower limit line	N/A	N/A	N/A	Yes	Page 253
LIMM	Middle amplitude value for limit-line segment	N/A	N/A	N/A	Yes	Page 254
LIMTFL	Specifies a flat limit-line segment	N/A	N/A	N/A	No	
LIMTSL	Specifies a sloped limit-line segment	N/A	N/A	N/A	No	
LIMU	Amplitude value for limit line segment in upper limit line	N/A	N/A	N/A	Yes	Page 255
LINFILL	Line fill	N/A	N/A	No	N/A	

Legacy Analyzer Command List

Table 2-1 Alphanumeric List of all Legacy Commands Showing their Option 266 Support

Command	Description	8566	8568	8590 Series	8560 Series	Page for Further Details
LL	Provides lower left recorder output voltage at rear	No	No	N/A	N/A	
LN	Selects linear scale	Yes	Yes	Yes	Yes	Page 256
LOAD	Load article/file into internal memory	N/A	N/A	No	N/A	
LOG	Log	No	No	No	No	
LOLIMOFF	LO Limit Off	No	No	N/A	N/A	
LSPAN	Last span	N/A	N/A	Yes	N/A	Page 257
M1	Turns off all markers	Yes	Yes	Yes	Yes	Page 258
M2	Marker Normal	Yes	Yes	Yes	Yes	Page 259
M3	Marker Delta	Yes	Yes	Yes	Yes	Page 260
M4	Marker zoom	Yes	Yes	Yes	N/A	Page 262
MA	Returns the amplitude of active marker	Yes	Yes	Yes	Yes	Page 263
MBIAS	Mixer bias	N/A	N/A	N/A	No	
MBRD	Processor memory block read	No	No	N/A	N/A	
MBWR	Processor memory block write	No	No	N/A	N/A	
MC0	Turns off the marker frequency counter	N/A	Yes	Yes	N/A	Page 264
MC1	Turns on the marker frequency counter	N/A	Yes	Yes	N/A	Page 265
MDS	Measurement data size	Yes	Yes	Yes	N/A	Page 266
MDU	Measurement data units	No	No	No	N/A	
MEAN	Returns mean value of trace in display units	Yes	Yes	Yes	Yes	Page 267
MEANPWR	Mean power measurement	N/A	N/A	N/A	Yes	Page 268
MEANTH	Trace mean above threshold	N/A	N/A	No	N/A	
MEAS	Measurement status	N/A	N/A	N/A	No	
MEASOFF	Measurement off	N/A	N/A	Yes	N/A	Page 269
MEASURE	Measure mode	N/A	N/A	No	N/A	

Table 2-1 Alphanumeric List of all Legacy Commands Showing their Option 266 Support

Command	Description	8566	8568	8590 Series	8560 Series	Page for Further Details
MEM	Returns amount of memory available	No	No	No	No	
MENU	Menu	N/A	N/A	No	No	
MERGE	Merge two traces	No	No	No	N/A	
MF	Returns frequency of the active marker	Yes	Yes	Yes	Yes	Page 270
MIN	Minimum	No	No	No	No	
MINH	Min Hold	N/A	N/A	Yes	Yes	Page 271
MINPOS	Returns the minimum position in the trace	Yes	Yes	Yes	N/A	Page 272
MIRROR	Mirror image of the trace	No	No	No	N/A	
MKA	Amplitude of the active marker	Yes	Yes	Yes	Yes	Page 273
MKACT	Specifies the active marker	Yes	Yes	Yes	N/A	Page 274
MKACTV	Marker as the active function	N/A	N/A	No	N/A	
MKBW	Marker bandwidth	N/A	N/A	Yes	Yes	Page 275
MKCF	Moves the active marker to center frequency	Yes	Yes	Yes	Yes	Page 276
MKCHEDGE	Marker to channel edge	N/A	N/A	N/A	No	
MKCONT	Continues sweeping from the marker after stop	No	No	No	N/A	
MKD	Delta marker	Yes	Yes	Yes	Yes	Page 277
MKDELCHBW	Delta markers to channel power bandwidth	N/A	N/A	N/A	No	
MKDLMODE	Marker delta display line mode	N/A	N/A	No	N/A	
MKDR	Reciprocal of marker delta	N/A	N/A	N/A	No	
MKF	Specifies the frequency of the active marker	Yes	Yes	Yes	Yes	Page 279
MKFC	Turns the marker frequency counter on or off	N/A	Yes	Yes	Yes	Page 280

Legacy Analyzer Command List

Table 2-1 Alphanumeric List of all Legacy Commands Showing their Option 266 Support

Command	Description	8566	8568	8590 Series	8560 Series	Page for Further Details
MKFCR	Specifies the marker frequency counter resolution	N/A	Yes	Yes	Yes	Page 281
MKMCF	Marker mean to center frequency	N/A	N/A	N/A	No	
MKMIN	Moves active marker to minimum signal detected	Yes	Yes	Yes	Yes	Page 282
MKN	Normal marker	Yes	Yes	Yes	Yes	Page 283
MKNOISE	Marker noise function	Yes	Yes	Yes	Yes	Page 284
MKOFF	Turns all markers or the active marker off	Yes	Yes	Yes	Yes	Page 286
MKP	Specifies the horizontal position of the marker	Yes	Yes	Yes	N/A	Page 287
MKPAUSE	Pauses the sweep at the active marker	No	No	No	N/A	
MKPK	Marker peak	Yes	Yes	Yes	Yes	Page 288
MKPT	Marker peak threshold	N/A	N/A	N/A	Yes	Page 289
MKPX	Marker peak excursion	Yes	Yes	Yes	Yes	Page 290
MKREAD	Specifies marker readout mode	Yes	Yes	Yes	N/A	Page 291
MKRL	Moves the active marker to reference level	Yes	Yes	Yes	Yes	Page 293
MKSP	Marker span	Yes	Yes	Yes	Yes	Page 294
MKSS	Marker step size	Yes	Yes	Yes	Yes	Page 295
MKSTOP	Stops the sweep at the active marker	No	No	No	N/A	
MKT	Position marker in units of time	N/A	N/A	N/A	Yes	Page 296
MKTBL	Marker table	N/A	N/A	No	N/A	Page 297
MKTRACE	Marker trace	Yes	Yes	Yes	N/A	Page 298
MKTRACK	Turns the marker signal track on or off	Yes	Yes	Yes	Yes	Page 299
MKTYPE	Specifies the type of active marker to be used	Yes	Yes	No	N/A	Page 300

Table 2-1 Alphanumeric List of all Legacy Commands Showing their Option 266 Support

Command	Description	8566	8568	8590 Series	8560 Series	Page for Further Details
ML	Mixer Level	Yes	Yes	Yes	Yes	Page 301
MOD	Modulo	No	No	No	No	
MODE	Mode of operation	N/A	N/A	No	N/A	
MODRCLT	Recalls trace from module memory	N/A	N/A	N/A	No	
MODSAVT	Saves trace in module memory	N/A	N/A	N/A	No	
MOV	Move	No	No	No	No	
MPY	Multiply	No	No	No	No	
MRD	Memory Read	No	No	N/A	N/A	
MRDB	Memory read byte	No	No	N/A	N/A	
MSDEV	Specifies mass storage device	N/A	N/A	N/A	No	
MSI	Mass storage interface	N/A	N/A	No	N/A	
MT0	Turns off marker signal track	Yes	Yes	Yes	Yes	Page 303
MT1	Turns on marker signal track	Yes	Yes	Yes	Yes	Page 304
MWR	Memory Write	No	No	N/A	N/A	
MWRB	Memory write byte	No	No	N/A	N/A	
MXM	Maximum	No	No	No	No	
MXMH	Max Hold	Yes	Yes	Yes	Yes	Page 305
MXRMODE	Mixer mode	N/A	N/A	N/A	No	
NDB	Number of dB	N/A	N/A	No	N/A	
NDBPNT	Turns the N dB points function on or off	N/A	N/A	No	N/A	
NDBPNTR	N dB points bandwidth	N/A	N/A	No	N/A	
NORMLIZE	Normalize trace data	N/A	N/A	N/A	Yes	Page 306
NRL	Normalized reference level	N/A	N/A	Yes	Yes	Page 307
NRPOS	Normalized reference position	N/A	N/A	N/A	Yes	Page 308

Legacy Analyzer Command List

Table 2-1 Alphanumeric List of all Legacy Commands Showing their Option 266 Support

Command	Description	8566	8568	8590 Series	8560 Series	Page for Further Details
NSTART	Start harmonic	No	N/A	N/A	N/A	
NSTOP	Stop harmonic	No	N/A	N/A	N/A	
O1	Output format	Yes	Yes	Yes	N/A	Page 309
O2	Output format	Yes	Yes	Yes	N/A	Page 310
O3	Output format	Yes	Yes	Yes	N/A	Page 311
O4	Output format	Yes	Yes	Yes	N/A	Page 312
OA	Returns the active function value	N/A	N/A	No	N/A	
OBW	Occupied bandwidth	N/A	N/A	No	N/A	
OBWBW	Bandwidth measured by occupied bandwidth	N/A	N/A	No	N/A	
OBWFERR	Occupied bandwidth transmit frequency error	N/A	N/A	No	N/A	
OBWLOWER	Relative lower frequency limit of occupied bandwidth	N/A	N/A	No	N/A	
OBWPCT	Occupied bandwidth percent	N/A	N/A	No	N/A	
OBWPWR	Total power in the occupied bandwidth	N/A	N/A	No	N/A	
OBWUPPER	Relative upper frequency limit of occupied bandwidth	N/A	N/A	No	N/A	
OCCUP	Percent occupied power bandwidth	N/A	N/A	N/A	Yes	Page 313
OL	Output learn string	Yes	Yes	No	N/A	Page 314
ONCYCLE	On cycle	N/A	N/A	No	N/A	
ONDELAY	On delay	N/A	N/A	No	N/A	
ONEOS	On end of sweep	No	No	No	No	
ONMKR	On marker pause	N/A	N/A	No	N/A	
ONMKRU	On marker update	N/A	N/A	No	N/A	
ONPWRUP	On power up	N/A	N/A	No	N/A	
ONSRQ	On service request	N/A	N/A	No	N/A	
ONSWP	On sweep	No	No	No	N/A	

**Table 2-1 Alphanumeric List of all Legacy Commands Showing their
Option 266 Support**

Command	Description	8566	8568	8590 Series	8560 Series	Page for Further Details
ONTIME	On time	N/A	N/A	No	N/A	
OP	Output parameters	No	No	No	No	
OR	Set position of origin	N/A	N/A	N/A	No	
OT	Output trace annotations	Yes	Yes	N/A	N/A	Page 315
OUTPUT	Output - sending data to the GPIB from function	No	No	No	No	
PA	Plot absolute	No	No	No	No	
PARSTAT	Parallel status	N/A	N/A	No	N/A	
PCTAM	Turns the percent AM measurement on or off	N/A	N/A	No	N/A	
PCTAMR	Percent AM response	N/A	N/A	No	N/A	
PD	Pen down	No	No	No	No	
PDA	Probability distribution amplitude	No	No	No	No	
PDF	Probability distribution frequency	No	No	No	No	
PEAKS	Sorts the signal peaks by amplitude/frequency	Yes	Yes	Yes	Yes	Page 316
PKDLMODE	Peak table delta display line mode	N/A	N/A	Yes	N/A	Page 317
PKPOS	Peak position	Yes	Yes	Yes	N/A	Page 318
PKRES	Peak result	N/A	N/A	No	N/A	
PKSORT	Selects how to sort signal peaks listed in peak table	N/A	N/A	Yes	N/A	Page 319
PKTBL	Turns the peak table on or off	N/A	N/A	Yes	N/A	Page 320
PKZMOK	Peak zoom okay	N/A	N/A	No	N/A	
PKZOOM	Peak zoom	N/A	N/A	No	N/A	
PLOT	Prints the screen	Yes	Yes	Yes	Yes	Page 321
PLOTORG	Display origins	N/A	N/A	N/A	No	
PLOTSRC	Plot source	N/A	N/A	N/A	No	
PLTPRT	Plot port	N/A	N/A	No	N/A	

Legacy Analyzer Command List

Table 2-1 Alphanumeric List of all Legacy Commands Showing their Option 266 Support

Command	Description	8566	8568	8590 Series	8560 Series	Page for Further Details
POWERON	Power on state	N/A	N/A	No	N/A	
PP	Peaks the preselector	Yes	N/A	Yes	Yes	Page 322
PR	Plot relative	No	No	No	No	
PREAMPG	External preamplifier gain	N/A	N/A	Yes	N/A	Page 323
PREFX	Change user memory entries file prefix	N/A	N/A	No	N/A	
PRINT	Print	N/A	N/A	Yes	Yes	Page 324
PRNPRT	Print port	N/A	N/A	No	N/A	
PRNTADRS	Print address	N/A	N/A	No	N/A	
PS	Skip page	No	No	N/A	N/A	
PSDAC	Preselector DAC number	N/A	N/A	N/A	No	
PSTATE	Protect state	N/A	N/A	No	No	
PU	Pen up	No	No	No	No	
PURGE	Purge file	N/A	N/A	No	N/A	
PWRBW	Power bandwidth	Yes	Yes	Yes	Yes	Page 325
PWRUPTIME	Power up time	N/A	N/A	Yes	N/A	Page 326
Q0	Sets detector to EMI Peak detection	Yes	Yes	N/A	N/A	Page 327
Q1	Sets detector to Quasi Peak detection	Yes	Yes	N/A	N/A	Page 328
R1	Resets service request 140	Yes	Yes	Yes	N/A	Page 329
R2	Allows service request 140 & 104	Yes	Yes	Yes	N/A	Page 330
R3	Allows service request 140 & 110	Yes	Yes	Yes	N/A	Page 331
R4	Allows service request 140 & 102	Yes	Yes	Yes	N/A	Page 332
RB	Resolution bandwidth	Yes	Yes	Yes	Yes	Page 333
RBR	Resolution bandwidth/Span ratio	N/A	N/A	N/A	Yes	Page 335
RC	Recalls state register	Yes	Yes	Yes	Yes	Page 336

Table 2-1 Alphanumeric List of all Legacy Commands Showing their Option 266 Support

Command	Description	8566	8568	8590 Series	8560 Series	Page for Further Details
RCLOSCAL	Recall open/short average	N/A	N/A	N/A	No	
RCLS	Recall state	Yes	Yes	Yes	Yes	Page 337
RCLT	Recall trace	N/A	N/A	No	No	
RCLTHRU	Recall internal thru-reference trace into trace B	N/A	N/A	N/A	No	
RELHPIB	Release control of GPIB	N/A	N/A	No	No	
REPEAT	Conditional Programming (Repeat .. Until ...)	No	No	No	No	
RESETRL	Reset reference level	N/A	N/A	No	N/A	
RETURN	Return to user defined function origination point	N/A	N/A	No	No	
REV	Returns the revision string to the controller	Yes	Yes	Yes	Yes	Page 338
RL	Reference level	Yes	Yes	Yes	Yes	Page 339
RLCAL	Reference level calibration	N/A	N/A	N/A	No	
RLPOS	Reference level position	N/A	N/A	No	N/A	
RMS	Root mean square	Yes	Yes	Yes	Yes	Page 341
ROFFSET	Reference level offset	Yes	Yes	Yes	Yes	Page 342
RQS	SRQ mask	Yes	Yes	Yes	Yes	Page 343
S1	Continuous sweep mode	Yes	Yes	Yes	Yes	Page 344
S2	Single sweep mode	Yes	Yes	Yes	Yes	Page 345
SADD	Adds a limit line segment	N/A	N/A	N/A	Yes	Page 346
SAVEMENU	Save menu	N/A	N/A	No	N/A	
SAVES	Saves analyzer state to specified register	Yes	Yes	Yes	Yes	Page 347
SAVET	Save trace	N/A	N/A	No	No	
SAVRCLF	Save or recall flag	N/A	N/A	No	N/A	
SAVRCLN	Save or recall number	N/A	N/A	No	N/A	
SAVRCLW	Save or recall data	N/A	N/A	No	N/A	
SDEL	Deletes a limit line segment	N/A	N/A	N/A	Yes	Page 348

Legacy Analyzer Command List

Table 2-1 Alphanumeric List of all Legacy Commands Showing their Option 266 Support

Command	Description	8566	8568	8590 Series	8560 Series	Page for Further Details
SDON	Indicates limit line segment is done	N/A	N/A	N/A	Yes	Page 349
SEDI	Edits limit line segment	N/A	N/A	N/A	Yes	Page 350
SEGDEL	Delete specified segment from limit line tables	N/A	N/A	No	N/A	
SENER	Segment entry for frequency limit lines	N/A	N/A	Yes	No	Page 351
SENER_T	Segment entry for sweep time limit lines	N/A	N/A	No	N/A	
SER	Serial number	N/A	N/A	Yes	Yes	Page 352
SETDATE	Set the date of spectrum analyzer	N/A	N/A	Yes	Yes	Page 353
SETTIME	Set the time of spectrum analyzer	N/A	N/A	Yes	Yes	Page 354
SHOWMENU	Shows menu	N/A	N/A	N/A	No	
SIGDEL	Signal amplitude delta	No	N/A	N/A	N/A	
SIGID	External mixing frequency bands signal identifier	No	N/A	N/A	No	
SKYCLR	Clears user softkey	N/A	N/A	N/A	No	
SKYDEF	Defines user softkey	N/A	N/A	N/A	No	
SMOOTH	Smooths given trace over specified number points	Yes	Yes	Yes	Yes	Page 355
SNGLS	Single sweep mode	Yes	Yes	Yes	Yes	Page 356
SP	Frequency Span	Yes	Yes	Yes	Yes	Page 357
SPEAKER	Turns the internal speaker on or off	N/A	N/A	No	N/A	
SPZOOM	Span Zoom	N/A	N/A	No	N/A	
SQLCH	Sets the squelch threshold	N/A	N/A	No	N/A	
SQR	Square root	No	No	No	No	
SQUELCH	Adjusts squelch level	N/A	N/A	N/A	No	
SRCALC	Selects internal or external level control	N/A	N/A	No	No	

Table 2-1 Alphanumeric List of all Legacy Commands Showing their Option 266 Support

Command	Description	8566	8568	8590 Series	8560 Series	Page for Further Details
SRCAT	Attenuate source output level	N/A	N/A	Yes	N/A	Page 359
SRCCRSTK	Coarse tracking adjust	N/A	N/A	N/A	No	
SRCFINTK	Fine tracking adjust	N/A	N/A	N/A	No	
SRCNORM	Source normalization	N/A	N/A	No	N/A	
SRCPOFS	Offset source power level	N/A	N/A	Yes	Yes	Page 360
SRCPSTP	Select source power step size	N/A	N/A	Yes	Yes	Page 361
SRCPSWP	Select sweep range of source output	N/A	N/A	Yes	Yes	Page 362
SRCPWR	Select source power level	N/A	N/A	Yes	Yes	Page 363
SRCTK	Adjust tracking of source output with SA sweep	N/A	N/A	Yes	N/A	Page 364
SRCTKPK	Auto adjust tracking of source output with SA sweep	N/A	N/A	Yes	Yes	Page 365
SRQ	Service request	Yes	Yes	Yes	Yes	Page 366
SS	Frequency Step Size	Yes	Yes	Yes	Yes	Page 367
ST	Sweep Time	Yes	Yes	Yes	Yes	Page 369
STB	Status byte query	N/A	N/A	Yes	Yes	Page 371
STDEV	Standard deviation of trace amplitude	Yes	Yes	Yes	Yes	Page 372
STOR	Store file	N/A	N/A	No	N/A	
STOREOPEN	Save current instrument state	N/A	N/A	N/A	No	
STORESHORT	Store short	N/A	N/A	N/A	No	
STORETHRU	Store thru-calibration trace in trace B	N/A	N/A	N/A	No	
SUB	Subtract	No	No	No	No	
SUM	Sum of trace element amplitudes in display units	No	No	No	No	
SUMSQR	Squares trace element amplitudes & returns sum	No	No	No	No	

Legacy Analyzer Command List

Table 2-1 Alphanumeric List of all Legacy Commands Showing their Option 266 Support

Command	Description	8566	8568	8590 Series	8560 Series	Page for Further Details
SV	Saves state	Yes	Yes	Yes	Yes	Page 373
SW	Skip to next control instruction	No	No	N/A	N/A	
SWPCPL	Sweep couple	N/A	N/A	Yes	Yes	Page 374
SWPOUT	Sweep output	N/A	N/A	N/A	No	
SYNCMODE	Synchronize mode	N/A	N/A	No	N/A	
T0	Turns the threshold level off	No	No	No	N/A	
T1	Sets the trigger mode to free run	Yes	Yes	Yes	Yes	Page 375
T2	Sets the trigger mode to line	Yes	Yes	Yes	Yes	Page 376
T3	Sets the trigger mode to external	Yes	Yes	Yes	Yes	Page 377
T4	Sets the trigger mode to video	Yes	Yes	Yes	Yes	Page 378
T7	Sets the trigger mode to level	N/A	N/A	Yes	N/A	Page 379
T8	Sets the trigger mode to edge	N/A	N/A	Yes	N/A	Page 380
TA	Returns trace A amplitude values to controller	Yes	Yes	Yes	Yes	Page 381
TB	Returns trace B amplitude values to controller	Yes	Yes	Yes	Yes	Page 382
TDF	Trace data format	Yes	Yes	Yes	Yes	Page 383
TEXT	Writes text on the analyzer screen	No	No	No	No	
TH	Threshold	Yes	Yes	Yes	Yes	Page 384
THE	Turns the threshold on or off	No	No	N/A	N/A	
THEN	Conditional Programming (If...then...else...endif)	No	No	N/A	No	
TIMEDATE	Allows setting of time & date for analyzer	N/A	N/A	Yes	Yes	Page 385

**Table 2-1 Alphanumeric List of all Legacy Commands Showing their
Option 266 Support**

Command	Description	8566	8568	8590 Series	8560 Series	Page for Further Details
TIMEDSP	Enables display of time & data on analyzer display	N/A	N/A	No	N/A	
TITLE	Title entry	N/A	N/A	Yes	Yes	Page 386
TM	Trigger Mode	Yes	Yes	Yes	Yes	Page 387
TOI	Third order intermodulation measurement	N/A	N/A	No	N/A	
TOIR	Third order intermodulation response	N/A	N/A	No	N/A	
TRA	Returns trace A amplitude values to controller	Yes	Yes	Yes	Yes	Page 388
TRB	Returns trace B amplitude values to controller	Yes	Yes	Yes	Yes	Page 389
TRC	Returns trace C amplitude values to controller	N/A	N/A	Yes	N/A	Page 390
TRCMEM	Trace C memory	N/A	N/A	No	N/A	
TRDEF	Trace define	No	No	No	No	
TRDSP	Trace display	Yes	Yes	Yes	N/A	Page 391
TRGRPH	Trace graph display	No	No	No	N/A	
TRIGPOL	Trigger polarity	N/A	N/A	N/A	Yes	Page 392
TRMATH	Executes specified trace math at end of sweep	No	No	No	N/A	
TRPRST	Sets trace operations to their preset values	No	No	Yes	N/A	Page 393
TRSTAT	Returns current trace states to controller	Yes	Yes	Yes	N/A	Page 394
TS	Takes a sweep	Yes	Yes	Yes	Yes	Page 395
TVLINE	Selects which horizontal line of video to trigger on	N/A	N/A	No	N/A	
TVLSFRM	Selects the type of video frame to trigger on	N/A	N/A	No	N/A	
TVSTND	TV standard	N/A	N/A	No	N/A	
TVSYNC	Selects polarity of video modulation to trigger on	N/A	N/A	No	N/A	

Legacy Analyzer Command List

Table 2-1 Alphanumeric List of all Legacy Commands Showing their Option 266 Support

Command	Description	8566	8568	8590 Series	8560 Series	Page for Further Details
TWNDOW	Formats trace information for FFT.	N/A	N/A	No	No	
UNTIL	Conditional Programming (Repeat...Until...)	No	No	N/A	No	
UP	Increases active function value by applicable step	N/A	N/A	No	N/A	
UR	Upper right x-y recorder output voltage at rear	No	No	N/A	N/A	
USTATE	Configures user defined states	No	No	No	N/A	
VARDEF	Variable definition	No	No	No	No	
VARIANCE	Returns the amplitude variance of specified trace	No	No	No	No	
VAVG	Turns video averaging on or off	Yes	Yes	Yes	Yes	Page 396
VB	Video Bandwidth	Yes	Yes	Yes	Yes	Page 398
VBO	Video Bandwidth Coupling Offset	Yes	Yes	N/A	N/A	Page 400
VBR	Video Bandwidth Ratio	N/A	N/A	Yes	Yes	Page 401
VIEW	Stores and views the specified trace	Yes	Yes	Yes	Yes	Page 402
VTL	Video trigger level	N/A	N/A	N/A	Yes	Page 403
WAIT	Suspend program operation for specified time	N/A	N/A	No	N/A	
WINNEXT	Next window	N/A	N/A	No	N/A	
WINOFF	Turns off the window display mode	N/A	N/A	No	N/A	
WINON	Turns on the window display mode	N/A	N/A	No	N/A	
WINZOOM	Window zoom	N/A	N/A	No	N/A	
XCH	Exchanges the two specified traces.	Yes	Yes	Yes	N/A	Page 404
ZMKCNTR	Zone marker at center frequency	N/A	N/A	No	N/A	

**Table 2-1 Alphanumeric List of all Legacy Commands Showing their
 Option 266 Support**

Command	Description	8566	8568	8590 Series	8560 Series	Page for Further Details
ZMKPKNL	Zone marker for next peak left	N/A	N/A	No	N/A	
ZMKPKNR	Zone marker for next peak right	N/A	N/A	No	N/A	
ZMKSPAN	Zone marker span	N/A	N/A	No	N/A	

Legacy Analyzer Command List
Table of All Legacy Analyzer Commands

3 Hints and Tips

This chapter includes a list of helpful hints and tips that will help you get the most from Option 266 on your ESA Series or PSA Series analyzer.

A Few Helpful Hints and Tips

These pages lists a few hints and tips that will help you get the most from your analyzer and Option 266.

- **Speed** - Option 266 will run faster on PSA series analyzers than it will on ESA series analyzers.
- **Compatibility - speed and consistency** - for best compatibility with your legacy analyzer, Option 266 should be used on the analyzer whose frequency range most closely matches the frequency range of your legacy analyzer. For example, the best match for the 8565E with its 50 GHz upper frequency limit is the PSA E4448A analyzer which also has an upper frequency limit of 50 GHz.
- **Compatibility and Sweep Times** - for best compatibility between PSA Series analyzers and the legacy analyzers, use the Manual Swept mode for 8566A/B, 8568A/B, or 8590 Series analyzers. Manual Swept mode is the default setting on PSA Series analyzers with Option 266 installed. The ESA Series analyzers do not allow Manual Swept mode. Use Best Dynamic Range for 8560E/EC Sereies analyzers. When analyzing stationary signals, you can change to the Best Speed setting, which is accessed from the Auto Couple hardkey and the FFT & Sweep menu. This results in faster sweep times on a PSA analyzer than on the legacy analyzers because of the PSA's better performance. In the majority of applications, this faster speed would be desirable, but that is not always the case. When you are using the Best Speed setting, you cannot change the sweep time manually as the sweep time is always coupled to give the fastest sweep times based on the current settings.
- **Time-out (1)** - Agilent suggests that you increase the timeout when performing MA and MF commands to allow previous marker functions to complete correctly.
- **Time-out (2)** - *[PSA Series only]* Agilent recommends increasing the timeout on a serial poll (**SPOLL**) due to differences in Sweep Times on some settings. Note, however, that this may not be necessary when using the Best Speed setting on the FFT & Sweep menu (accessed from the Auto Couple hardkey).
- **Synchronization (1)** - to synchronize after an IP command, Agilent recommends that you use the DONE command. We also suggest that the DONE command is used in conjunction with a timeout of about 5 seconds in case the analyzer starts to auto align. Alternatively, you could set auto alignment to Off. To set auto alignment to Off, press **System, Alignments, Auto Align** on the front panel.
- **Synchronization (2)** - Agilent recommends that synchronization (using the DONE command) is used with marker functions when signal tracking is turned on.

- **AC and DC Coupling** - The 8568A/B has two RF input ports:
 - DC Coupled (with a BNC connector) to handle a frequency range of 100 Hz to 1.5 GHz
 - AC Coupled (with an N Type connector) to handle a frequency range of 100 kHz to 1.5 GHz

The 8560 Series and the 8590 Series of legacy analyzers only have one RF input port, and support AC and DC coupling through the COUPLE command (page 157).

The ESA-E and PSA series analyzers only have a single RF input port.

When using PSA models E4440A, E4443A, and E4445A, or the ESA-E model E4407B with the UKB option, you must use DC coupling to see calibrated frequencies of less than 10 MHz. Signals of less than 10 MHz are not calibrated when using AC coupling on these analyzers.

When using ESA-E series model E4402B with Option UKB, or models E4404B or E4405B, you must use DC coupling to see calibrated frequencies of less than 100 kHz. Signals of less than 100 kHz are not calibrated when using AC coupling on these analyzers.

NOTE

PSA models E4446A, E4447A, and E4448A do not allow AC coupling.

ESA-E model E4407B does not allow AC coupling unless Option UKB has been added.

ESA-E model E4401B does not allow DC coupling.

ESA-E model E4402B does not allow DC coupling unless Option UKB has been added.

- **Overloading** - if you are overloading the analyzer, connect a 10 dB attenuator to the RF input and set the **Ext Amp Gain** (external amplifier gain) to -10 dB. This softkey is accessed via the Amplitude hardkey and the **More 1 of 3** softkey.
- **Instrument Presets** - consecutive instrument presets (using the IP command, that is, issuing a command such as IP;IP;IP;) are not required.
- **SCPI Language** - Agilent recommends that you do not repeatedly swap to and from the SCPI language within your programs.

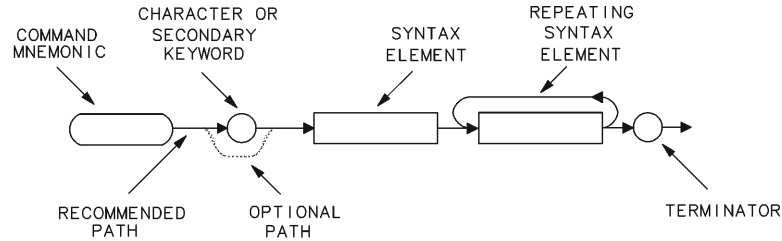
Hints and Tips
A Few Helpful Hints and Tips

4 Programming Commands

This chapter lists all the supported 8566A/B, 8568A/B, 8560 Series, and 8590 Series compatible commands in alphanumeric order, and gives brief details on their syntax and operation. For more detailed information on these commands, see your 8566A/B, 8568A/B, 8560 Series or 8590 Series Operating and Programming Manual.

Command Syntax

Command syntax is represented pictorially.



cu114e

- Ovals enclose command mnemonics. The command mnemonic must be entered exactly as shown.
- Circles and ovals surround secondary keywords or special numbers and characters. The characters in circles and ovals are considered reserved words and must be entered exactly as shown.
- Rectangles contain the description of a syntax element defined in [Table 4-1, “Syntax Elements.”](#)
- A loop above a syntax element indicates that the syntax element can be repeated.
- Solid lines represent the recommended path.
- Dotted lines indicate an optional path for bypassing secondary keywords or using alternate units.
- Arrows and curved intersections indicate command path direction.
- Semicolons are the recommended command terminators. Using semicolons makes programs easier to read, prevents command misinterpretation, and is recommended by IEEE Standard 728.

NOTE

Uppercase is recommended for entering all commands unless otherwise noted.

Syntax Elements are shown in the syntax diagrams as elements within rectangles. In the syntax diagrams, characters and secondary keywords are shown within circles or ovals. Characters and secondary keywords must be entered exactly as shown.

Table 4-1 Syntax Elements

Syntax Component	Definition/Range
Analyzer command	Any spectrum analyzer command in this chapter, with required parameters and terminators.
Character	Sp a b c d e f g h i j k l m n o p q r s t u v w x y z databyte.
Character & EOI	8-bit byte containing only character data and followed by end-or-identify (EOI) condition, where the EOI control line on GPIB is asserted to indicate the end of the transmission. END signifies the EOI condition.
Character string	A list of characters.
Data byte	8-bit byte containing numeric or character data.
Data byte & EOI	8-bit byte containing numeric or character data followed by end-or-identify (EOI) condition, where the EOI control line on GPIB is asserted to indicate the end of the transmission. END signifies the EOI condition.
Delimiter	\ @ ^ \$ % ; ! Matching characters that mark the beginning and end of a character string, or a list of spectrum analyzer commands. Choose delimiting characters that are not used within the string they delimit.
Digit	0 1 2 3 4 5 6 7 8 9
lsb length	Represents the least significant byte of a two-byte word that describes the number of bytes returned or transmitted. See msb length.
msb length	Represents the most significant byte of a two-byte word that describes the number of bytes returned or transmitted. See lsb length.
Number	Expressed as integer, decimal, or in exponential (E) form. Real Number Range: $\pm 1.797693134862315 \times 10^{308}$, including 0. Up to 15 significant figures allowed. Numbers may be as small as $\pm 2.225073858507202 \times 10^{-308}$ Integer Number Range: -32,768 through +32,767
Output termination	Carriage return (C _R) and line feed (L _F), with end-or-identify (EOI) condition. ASCII codes 13 (carriage return) and 10 (line feed) is sent via GPIB, then the end-or-identify control line on GPIB sets to indicate the end of the transmission.
Units	Represent standard scientific units. Frequency Units: GZ, GHZ, MZ, MHZ, KZ, KHZ, HZ Amplitude Units: DB, DBMV, DM, DBM, DBUV, V, MV, UV Time Units: SC, S, MS, US

Programming Command Descriptions

All supported commands are listed here, along with their descriptions and cross-references to similar commands.

This chapter is not designed to be a comprehensive guide to all 8566A/B, 8568A/B, 8560 Series, or 8590 Series commands. It gives brief descriptions of the supported commands, and highlights important functional or behavioral differences that you should be aware of when transferring existing 8566A/B, 8568A/B, 8560 Series or 8590 Series code to your ESA Series or your PSA Series analyzer. For a fuller description of the commands, refer to the 8566A/B, 8568A/B, 8560 Series or 8590 Series Operating and Programming Manual.

In the descriptions of the commands, TRA corresponds to Trace 1, TRB corresponds to Trace 2, and TRC corresponds to Trace 3.

To avoid confusion between numbers and letters, all commands that incorporate numbers have had the number spelled out and placed in square brackets after the command. For example, the command 'I1' is shown as 'I1 [*one*]' - that is, the capital letter 'I' followed by the number '1', and then the word 'one' italicized in square brackets. The italicized word in brackets does not form part of the command.

A1 [one] Clear Write for Trace A

Syntax



Description

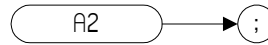
The A1 command sets Trace A to clear write. That is, it continuously displays any signal present at the spectrum analyzer input. The A1 command initially clears Trace A, setting all elements to zero. The sweep trigger then signals the start of the sweep, and Trace A is continually updated as the sweep progresses. Subsequent sweeps send new amplitude information to the display addresses.

NOTE

The functions of the command A1 are identical to the CLRW TRA command ([page 153](#)).

A2 [*two*] Maximum Hold for Trace A

Syntax



Description

The A2 command updates each trace element with the maximum level detected during the period that the trace has been active.

NOTE

The functions of the command A2 are identical to the MXMH TRA command ([page 305](#)).

A3 [*three*] View Mode for Trace A

Syntax



Description

The A3 command displays Trace A and then stops the sweep if no other traces are active. Trace A does not get updated with new data.

NOTE

The functions of the command A3 are identical to the VIEW TRA command ([page 402](#)).

A4 [four] Blank Trace A

Syntax



Description

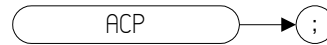
The A4 command blanks Trace A and stops the sweep if no other traces are active. Trace A is not updated.

NOTE

The functions of the command A4 are identical to the BLANK TRA command ([page 138](#)).

ACP Adjacent Channel Power

Syntax



Description

ACP measures the power of the carrier and the power of the channels that are adjacent to the carrier, and then computes a power ratio for each of the adjacent channels, using the carrier power as a reference. ACP performs the adjacent channel power measurement using the values for channel spacing (ACPSP) and channel bandwidth (ACPBW).

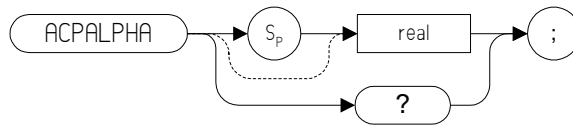
NOTE

Option 266 supports this measurement using the ANALOG method only.

ACPALPHA

Adjacent Channel Power Alpha Weighting

Syntax



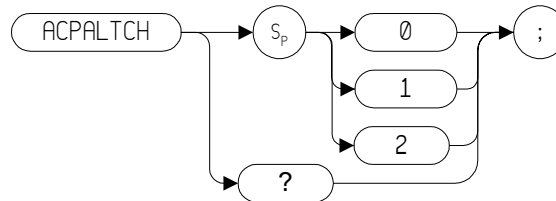
Description

This command sets the alpha weighting for ACP measurements.

Range: Any real number between 0 and 1

ACPALTCH Adjacent Channel Power Alternate Channels

Syntax



Description

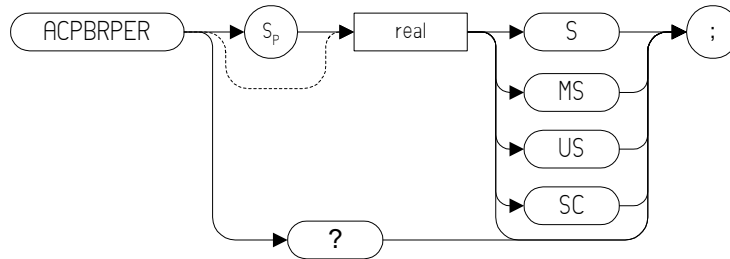
The ACPALTCH command sets the number of alternate channels to be measured by an adjacent channel power measurement to either 0, 1, or 2. The number of alternate channels is used with the ACPRSLTS command ([page 113](#)).

Range: 0, 1, or 2.

Default value: 0.

ACPBRPER Adjacent Channel Power Burst Period

Syntax



Description

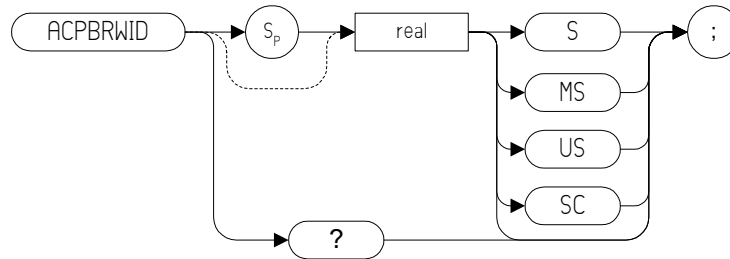
The ACPBRPER command sets the cycle time (period) of the burst RF signal. The cycle time is needed to set the sweep times when using the peak, two bandwidth, burst power, and gated methods for adjacent channel power measurements.

NOTE

Option 266 supports the ACP measurement using the ANALOG method only.

ACPBRWID Adjacent Channel Power Burst Width

Syntax



Description

The ACPBRWID command sets the on-time (pulse width) of the burst RF signal. The pulse width is needed to set the gating times when using the gated method for adjacent channel power measurements.

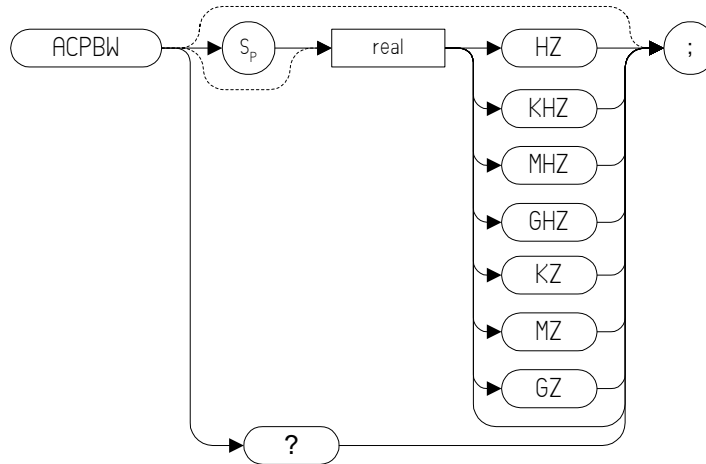
Range 5 μ s to 9.5 seconds

NOTE

Option 266 supports the ACP measurement using the ANALOG method only.

ACPBW Adjacent Channel Power Bandwidth

Syntax



Description

The ACPBW command sets the bandwidth of the channels as an active function for the ACPMEAS ([page 109](#)) and ACPCOMPUTE ([page 105](#)) commands. The channel bandwidth cannot be greater than the channel spacing. If the channel bandwidth is greater than the channel spacing, the measurement is not performed.

ACPCOMPUTE Adjacent Channel Power Compute

Syntax

ACPCOMPUTE → ;

Description

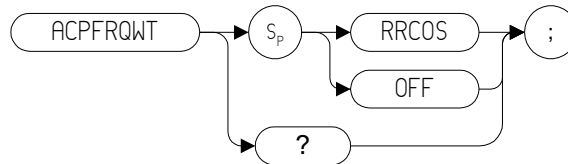
Calculates the ACP of a transmitter based on data on the display. This function does not make a new measurement before computing. The measurement must have been made with ANALOG or PEAK method selected so the appropriate data is available for the calculation.

NOTE

Option 266 supports the ACP measurement using the ANALOG method only.

ACPFQRWT Adjacent Channel Power Frequency Weighting

Syntax



Description

The ACPFRQWT command is used to control the frequency weighting when making an Adjacent Channel Power measurement. Weighting is not used in the measurement if OFF has been selected.

Root-raised-cosine weighting is selected with the RRCOS parameter.

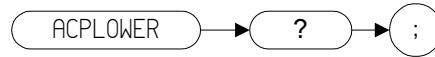
Default value: OFF

NOTE

Option 266 supports the ACP measurement using the ANALOG method only.

ACPLOWER Lower Adjacent Channel Power

Syntax



Description

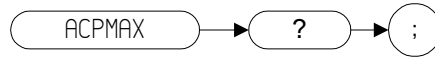
The ACPLOWER query command returns the power ratio result of the Adjacent Channel Power measurement for the lower frequency channel.

NOTE

Option 266 supports the ACP measurement using the ANALOG method only.

ACPMAX Maximum Adjacent Channel Power

Syntax



The ACPMAX query command returns the maximum adjacent channel power of the adjacent channel power measurement.

NOTE

Option 266 supports the ACP measurement using the ANALOG method only.

ACPMEAS Measure Adjacent Channel Power

Syntax



Description

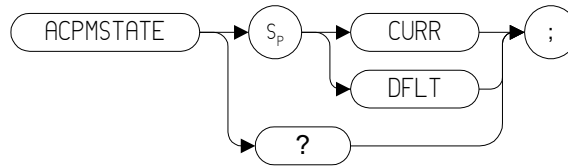
The ACPMEAS command makes a measurement and calculates the adjacent channel power (ACP) of a transmitter. The measurement determines the leakage power that is in the channels adjacent to the carrier. The result is the ratio of the leakage power in the channel adjacent to the total power transmitted by the transmitter.

NOTE

Option 266 supports the ACP measurement using the ANALOG method only.

ACPMSTATE Adjacent Channel Power Measurement State

Syntax



Description

Sets the parameters of the measurement state to either the default state (determined by the setup) or the current state. The state parameters that could change between the default state and a current state include:

- Resolution bandwidth
- Video bandwidth
- Span
- Sweep time
- Detector mode
- Gating parameters
- Trigger parameters
- Video averaging

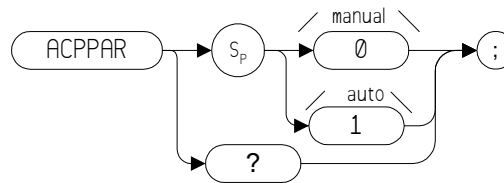
Default value: DFLT

NOTE

Option 266 supports the ACP measurement using the ANALOG method only.

ACPPAR Adjacent Channel Power Manual or Auto

Syntax



Description

Determines whether the spectrum analyzer settings for the ACP ([page 99](#)), CHP ([page 150](#)) or OBW (currently not supported) measurements are set automatically or manually.

If ACPPAR is set to 1 (automatic), the analyzer does the following before making the measurement:

- Performs the Trace Preset (TRPRST ([page 393](#))) command.
- Changes Trigger Mode to Free Run.
- Changes Detector Mode to Sample.
- Changes the amplitude scale to 10 dB per division.
- Sets the frequency span, resolution bandwidth, video bandwidth, center frequency step size and sweep time based on the channel spacing (ACPSP ([page 114](#))) and channel bandwidth (ACPBW ([page 104](#))).
- Takes a sweep

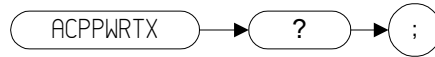
Default value: 1 (auto)

NOTE

Option 266 supports the ACP measurement using the ANALOG method only.

ACPPWRTX Adjacent Channel Power Total Power Transmitted

Syntax



Description

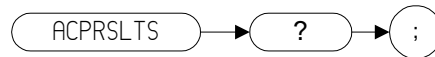
The ACPPWRTX query command returns the result of the total power transmitted calculation of the adjacent channel power measurement. The measurement must be made with the analog or burst power method selected.

NOTE

Option 266 supports the ACP measurement using the ANALOG method only.

ACPRSLTS Adjacent Channel Power Measurement Results

Syntax



Description

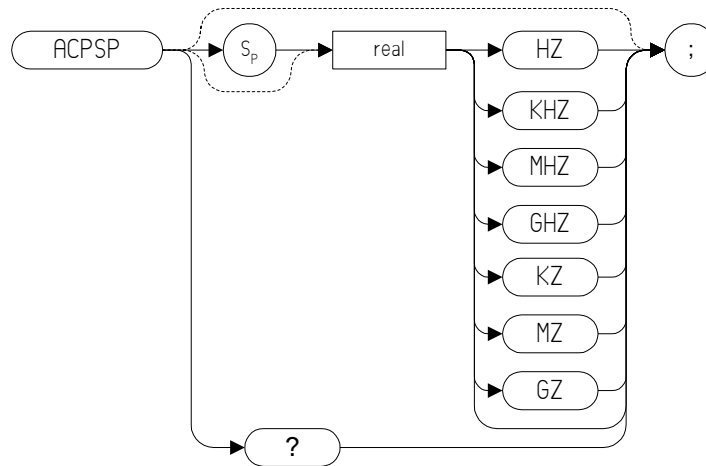
Returns an array of power data resulting from an ACP measurement of an RF signal. The number of alternate channel pairs selected by the ACPALTCH ([page 101](#)) command determines the size of the array.

NOTE

Option 266 supports the ACP measurement using the ANALOG method only.

ACPSP Adjacent Channel Power Channel Spacing

Syntax



Description

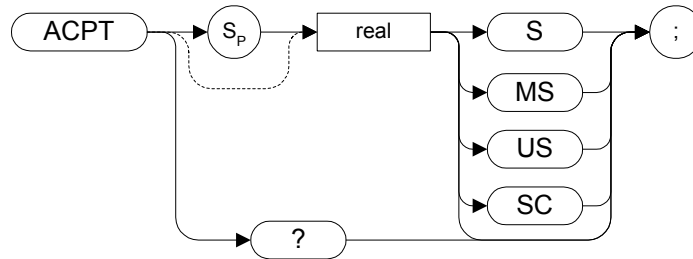
Sets the channel spacing for the ACPMEAS ([page 109](#)) and ACP COMPUTE ([page 105](#)) commands.

NOTE

Option 266 supports the ACP measurement using the ANALOG method only.

ACPT Adjacent Channel Power T Weighting

Syntax



Description

The ACPT command is used to set the T used in weighting for an adjacent channel power measurement.

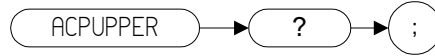
NOTE

Option 266 supports the ACP measurement using the ANALOG method only.

ACPUPPER

Upper Adjacent Channel Power

Syntax



Description

The ACPUPPER query command returns the power ratio result of the adjacent channel power measurement for the upper frequency channel.

NOTE

Option 266 supports the ACP measurement using the ANALOG method only.

ADJALL LO and IF Adjustments

Syntax

ADJALL → ;

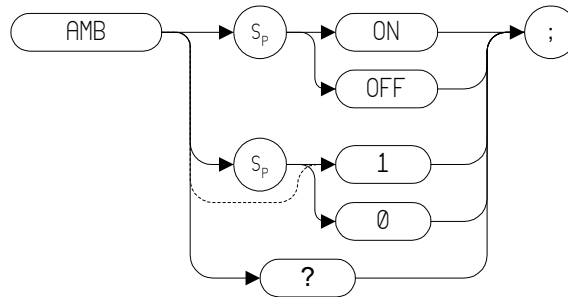
Description

The ADJALL command activates the RF local oscillator (LO) and intermediate frequency (IF) alignment routines. These are the same routines that occur when the spectrum analyzer is switched on. They are also the same routines that are performed when you press **System**, **Alignments**, **Align Now**, **All**.

Commands following ADJALL are not executed until after the analyzer has finished the alignment routines.

AMB A minus B into A

Syntax



Description

The AMB command subtracts the points in Trace B from the corresponding points in Trace A, and sends the results to Trace A. Thus, AMB can restore the original trace after an APB (page 124) or a KSc (page 212) command has been executed.

The query command AMB? returns different responses depending on the language being used. The 8560 Series languages return either a **1** or a **0** to indicate the On or Off status. The 8566, 8568, and the 8590 Series languages all return either **ON** or **OFF**.

NOTE

On the legacy analyzers, the AMB command operates continuously. That is, it continuously updates Trace A to display the results of Trace A minus Trace B until AMB is switched off.

This is not the case with Option 266 - Code Compatibility. The AMB command is performed once only, using the trace data available at the time of execution.

NOTE

The functions of the command AMB are identical to the C2 [two] command (page 143).

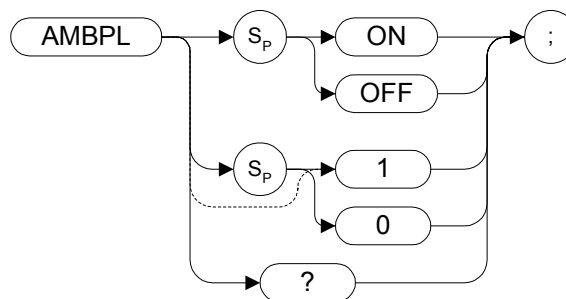
AMBPL (A minus B) plus Display Line into A

Syntax

8566 and 8568 Remote Language



8560 Series and 8590 Series Remote Language



Description

The AMBPL command does a point-by-point subtraction of Trace B from Trace A, and then adds the display line point values to the difference. The results are sent to Trace A.

NOTE

On the legacy analyzers, the AMBPL command operates continuously. That is, it continuously updates Trace A to display the results of Trace A minus Trace B until AMBPL is switched off.

This is not the case with Option 266 - Code Compatibility. The AMBPL command is performed once only, using the trace data available at the time of execution.

NOTE

The query command AMBPL? returns different responses depending on the language being used.

8560 Series Query response is either 1 or 0, indicating ON or OFF state.

8566A Query response is either ON or OFF.

8566B Query response is either ON or OFF.

8568A Query response is either ON or OFF.

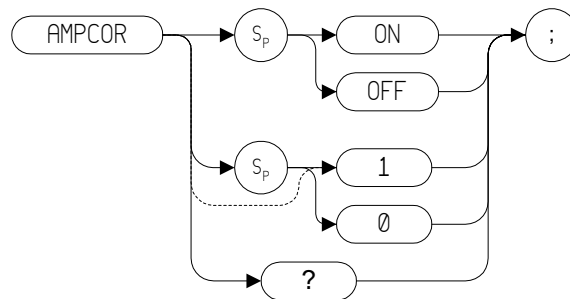
8568B Query response is either ON or OFF.

8590 Series Query response is either ON or OFF.

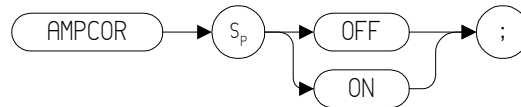
AMPCOR Amplitude Correction

Syntax

8560 Series Remote Language



8590 Series Remote Language



Description

The AMPCOR command applies amplitude correction at specified frequencies.

8560 Series Query response is either 1 or 0, indicating ON or OFF state.

Default: OFF

NOTE This command is only supported on the ESA Series of analyzers. It is not supported on the PSA Series of analyzers.

NOTE The AMPCOR command only allows the state of the amplitude corrections to be set or queried. It does not allow the specification of the frequencies at which the corrections should be applied.

NOTE In the 8560 Series remote language, the query command AMPCOR? returns either a 1 or a 0, indicating ON or OFF state.

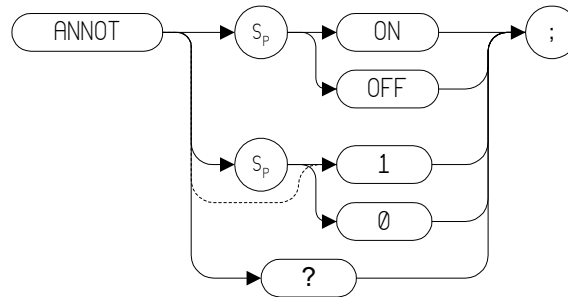
The AMPCOR? query is unsupported in any of the following remote languages, and will always return a '0,0' result:

Programming Commands
AMPCOR Amplitude Correction

- HP8590L
 - HP8591E
 - HP8592L
 - HP8593E
 - HP8594E
 - HP8594L
 - HP8595E
 - HP8596E
-

ANNOT Annotation

Syntax



Preset State: ANNOT ON

Description

The ANNOT command turns on or off all annotation on the spectrum analyzer display. Softkey labels are not affected by this command and remain displayed.

NOTE

The functions of the command ANNOT are identical to the KSo command (page 233) and KSp command (page 234). Note also that these two alternative commands, KSo and KSp, are only valid when the remote language is either HP8566A, HP8566B, HP8568A, or HP8568B.

APB

Trace A Plus Trace B to A

Syntax



Description

The APB command does a point-by-point addition of Trace A and Trace B, and sends the results to Trace A. Thus, APB can restore the original trace after an AMB (page 118) or a C2 (page 143) command has been executed.

NOTE

The functions of the command APB are identical to the KSc command (page 212). Note also that the alternative command, KSc, is only valid when the remote language is either HP8566A, HP8566B, HP8568A, or HP8568B.

NOTE

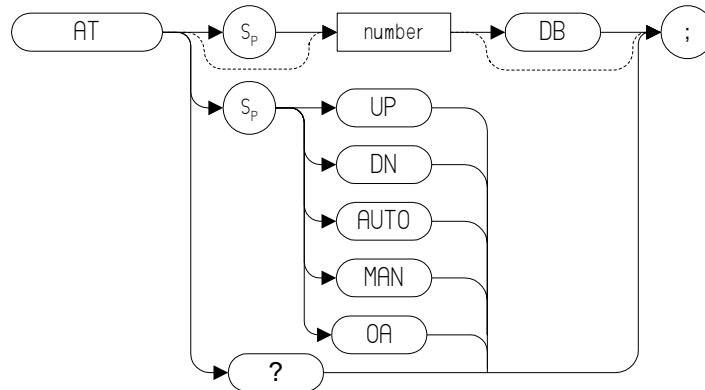
On the legacy analyzers, the AMB command operates continuously. That is, it continuously updates Trace A to display the results of Trace A minus Trace B until AMB is switched off.

This is not the case with Option 266 - Code Compatibility. The AMB command is performed once only, using the trace data available at the time of execution.

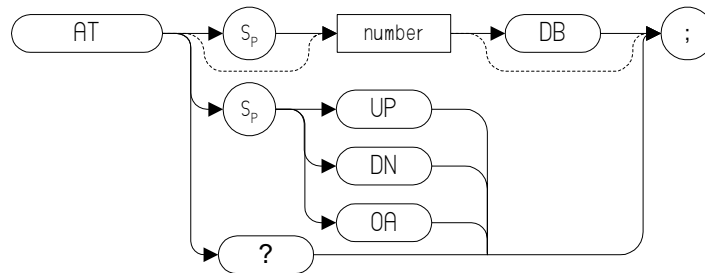
AT Input Attenuation

Syntax

8560 Series Remote Language



8566 and 8568 Remote Language



8590 Series Remote Language

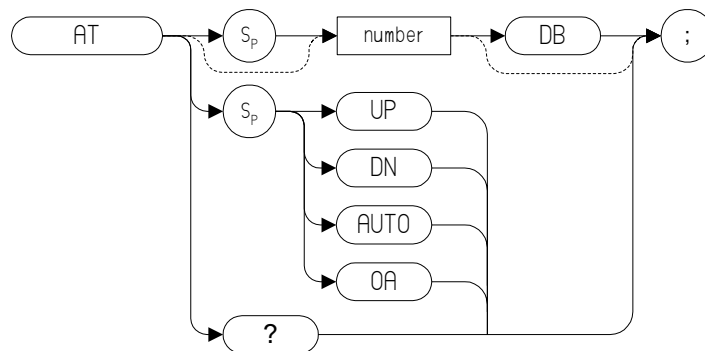


Table 4-2

Item	Description/Default	Range
Number	Any real number or integer. If the value you enter is not a valid value for the analyzer you are using, it will switch automatically to the closest valid setting. Default units are dB.	<i>PSA</i> - 0 to 70 dB specified absolutely and 10 to 70 dB in 10 dB steps <i>ESA</i> - 0 to 65 dB specified absolutely and 10 to 65 dB in 10 dB steps

Preset State: 10 dB

Step Increment: 10 dB

Description

Specifies the RF input attenuation.

Although any attenuation level from 0 dB to 70 dB in PSA series analyzers (0 dB to 65 dB in ESA-E series analyzers) can be specified using absolute values, you can never set attenuation below 10 dB using the DOWN steps. This is a safety feature to prevent inadvertent setting of attenuation to a level that could damage the analyzer.

CAUTION

Signal levels above +30 dBm will damage the spectrum analyzer.

NOTE

ESA series analyzers have a range of 10 dB to 65 dB when accessed in 10 dB steps. Stepping up from the default value of 10 dB, the sequence rises in 10 dB steps until an attenuation of 60 dB is reached. The next step will only be 5 dB as the analyzer's upper limit is 65 dB will have been reached.

Stepping down from 65 dB reverses this sequence. The first step down from 65 dB is to 60 dB. Thereafter, each step is of 10 dB until an attenuation level of 10 dB is reached.

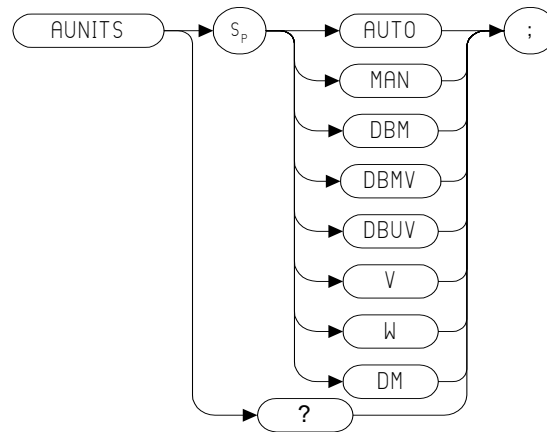
You cannot step down below 10 dB. To set levels below 10 dB, you must specify the attenuation absolutely. For example, to set attenuation to 0 dB, you must use the command **AT 0DB**.

AUNITS

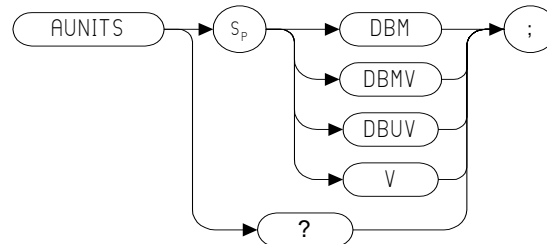
Absolute Amplitude Units

Syntax

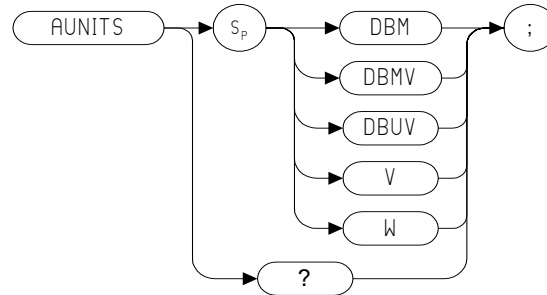
8560 Series Remote Language



8566 and 8568 Remote Language



8590 Series Remote Language



Description

Specifies the amplitude readout units for the reference level, the marker, and the display line.

AUNITS Absolute Amplitude Units

NOTE

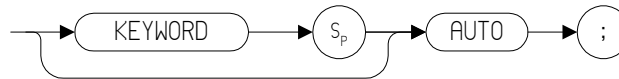
If your selected remote language is any of the 8560 Series and you use either the AUTO or the MAN parameter, a warning will be displayed informing you that the command is not supported with either of these parameters.

NOTE

The functions of the command AUNITS are identical to the commands KSA ([page 207](#)), KSB ([page 209](#)), KSC ([page 211](#)), and KSD ([page 213](#)). Note also that these four alternative commands, KSA, KSB, KSC, and KSD are only valid when the remote language is either HP8566A, HP8566B, HP8568A, or HP8568B.

AUTO Auto Couple

Syntax



Description

The AUTO command couples the active functions automatically. Sending the command HD; AUTO will cause all functions to be auto coupled.

NOTE

On the legacy analyzers, if the currently active function *is not* represented by one of the keywords listed below when the command AUTO is executed, all functions are auto coupled. If the active function *is* represented by one of the keywords below, only that function is auto coupled.

This does not happen with Option 266 Programming Code Compatibility Suite on either the PSA Series or the ESA Series analyzers because they do not recognize active functions.

Keywords Used in the Command

AT	Couples attenuation to the reference level.
DL	Turns the display line off but does not change the value of the line.
MKA	Turns the marker off.
MKD	Turns the delta marker off. It does not turn the current marker off.
MKFCR	Deactivates the use of user-supplied counter resolution value, but the value remains unchanged.
MKN	Turns the marker off.
RB	Couples the resolution bandwidth to the frequency span.
SRCPSTP	Sets the source power step to 0 (zero).
SRCPSWP	Turns power sweep off.
SCRPWR	Turns source power off.
SS	Couples the step size to the frequency span.

Programming Commands

AUTO Auto Couple

ST	Couples the sweep time to the frequency span.
TH	Turns the display of the threshold off, but does not change its value or prevent its usage in peak searching.
VAVG	Stops averaging.
VB	Couples the video bandwidth to the resolution bandwidth.
VBR	Sets the video to bandwidth ratio to 0.3.

AUTOPL Auto Coupled

Syntax

AUTOPL → ;

Description

Sets video bandwidth, resolution bandwidth, input attenuation, sweep time and center frequency step-size to coupled mode.

AXB Exchange Trace A and Trace B

Syntax



```
AXB → ;
```

Description

This command exchanges Trace A and Trace B, point by point.

NOTE

The functions of the command AXB are identical to the EX command ([page 180](#)) and to the XCH TRA,TRB command ([page 404](#)).

B1 [one] Clear Write for Trace B

Syntax



Description

The B1 command sets Trace B to clear write. That is, it continuously displays any signal present at the spectrum analyzer input. The B1 command initially clears Trace B, setting all elements to zero. The sweep trigger then signals the start of the sweep, and Trace B is continually updated as the sweep progresses. Subsequent sweeps send new amplitude information to the display addresses.

NOTE

The functions of the command B1 are identical to the CLRW TRB command ([page 153](#)).

B2 [*two*] Maximum Hold for Trace B

Syntax



```
B2 → ;
```

Description

The B2 command updates each trace element with the maximum level detected while the trace is active.

NOTE

The functions of the command B2 are identical to the MXMH TRB command ([page 305](#)).

B3 [*three*] View Mode for Trace B

Syntax



Description

The B3 command displays Trace B and then stops the sweep if no other traces are active. Trace B does not get updated.

NOTE

The functions of the command B3 are identical to the VIEW TRB command ([page 402](#)).

B4 [*four*] Blank Trace B

Syntax



Description

The B4 command blanks Trace B and stops the sweep if no other traces are active. Trace B is not updated.

NOTE

The functions of the command B4 are identical to the BLANK TRB command ([page 138](#)).

BL Trace B minus Display Line to Trace B

Syntax



Description

The BL command subtracts the display line from Trace B and sends the results to Trace B.

NOTE

The command BL is calculated differently depending on the language being used.

8560 Series	The calculation is performed in units of dBm.
8566A	The calculation is performed in display units.
8566B	The calculation is performed in display units.
8568A	The calculation is performed in display units.
8568B	The calculation is performed in display units.
8590 Series	The calculation is performed in display units.

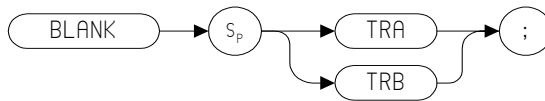
NOTE

The functions of the command BL are identical to the BML command ([page 139](#)).

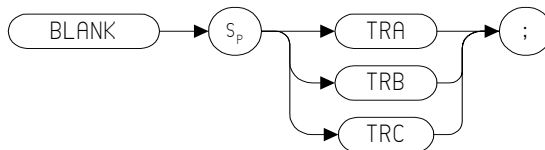
BLANK Blank Trace

Syntax

8560 Series Remote Language



8566, 8568, and 8590 Series Remote Language



Preset State: BLANK TRB, BLANK TRC

Description

Blanks Trace 1, trace 2, or trace 3, and stops taking new data into the specified trace. TRA corresponds to Trace 1, TRB corresponds to Trace 2, and TRC corresponds to Trace 3.

NOTE

The functions of the command BLANK are identical to the A4 command ([page 98](#)), the B4 command ([page 136](#)), and KSk command ([page 224](#)).

BML Trace B Minus Display Line

Syntax



Description

The BML command subtracts the display line from trace B (point by point), and sends the difference to trace B. Trace B corresponds to Trace 2.

NOTE Remote language 8560 - the BML command is performed in dBm units.
Remote languages 8566A, HP8566B, HP8568A, 8568B, and the 8590 Series - the BML command is performed in display units.

NOTE The functions of the command BML are identical to the BL command ([page 137](#)).

BTC

Transfer Trace B to Trace C

Syntax



Description

The BTC command transfers Trace B data to Trace C

NOTE

Trace C cannot be an active trace. This means that the data in Trace C cannot be updated as the analyzer sweeps. To ensure that the current settings of the analyzer are reflected in the data transferred from Trace B to Trace C, you must follow the four step process below.

- Select single sweep mode (S2 or SNGLS command)
- Select the desired analyzer settings
- Take one complete sweep
- Transfer the data

NOTE

The functions of the command BTC are identical to the KSI command ([page 226](#)).

BXC Exchange Trace B and Trace C

Syntax

BXC → ;

Description

The BXC command exchanges Trace B data with Trace C data.

NOTE

Trace C must not be an active trace. This means that the data in Trace C cannot be updated as the analyzer sweeps. To ensure that the current settings of the analyzer are reflected in the data exchanged between Trace B and Trace C, you must follow the four step process below.

- Select single sweep mode (S2 or SNGLS command)
- Select the desired analyzer settings
- Take one complete sweep
- Exchange the data

NOTE

The functions of the command BXC are identical to the KSi command ([page 221](#)) and to the XCH TRB,TRC command ([page 404](#)).

C1 [*one*] Set A Minus B Mode Off

Syntax



Description

The C1 command turns the A Minus B mode off. That is, it switches off the functionality that was switched on by the C2 command ([page 143](#)) or by the AMB ON command ([page 118](#)).

NOTE

The functions of the command C1 are identical to the AMB OFF command ([page 118](#)).

C2 [two] A Minus B Into A

Syntax



Description

The C2 command subtracts the points in Trace B from the corresponding points in Trace A, and sends the results to Trace A. Thus, if your input signal remains unchanged, C2 can restore the original trace after an APB command ([page 124](#)) or a KSc ([page 212](#)) command has been executed.

NOTE The functions of the command C2 are identical to the AMB ON command ([page 118](#)).

NOTE On the legacy analyzers, the C2 command operates continuously. That is, it continuously updates Trace A to display the results of Trace A minus Trace B until C2 is switched off by issuing the C1 command.

This is not the case with Option 266 - Programming Code Compatibility. The C2 command is performed once only, using the trace data available at the time of execution.

CA Couple Attenuation

Syntax



Description

During normal operation, the spectrum analyzer's input attenuation is coupled to the reference level. This coupling keeps the mixer input at a level such that a continuous wave signal displayed at the reference level is at or below -10 dBm (or the value specified in the ML command.)

The CA command sets the threshold to -10 dBm (or to the value specified by the ML command [\(page 301\)](#) or the KS, command [\(page 205\)](#)). The counterpart to the CA command is the AT command [\(page 125\)](#), which allows levels less than the threshold value at the mixer input.

CAL Calibration

Syntax

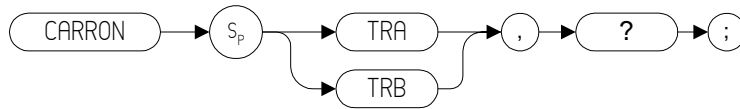


Description

Calibrates the logarithmic and step gain amplifiers, the attenuator and the amplitude and frequency of the resolution bandwidth filters.

CARRON Carrier On Power

Syntax



Description

Measures the average power of the carrier during the portion of time when it is on and within 20dB of its peak level.

CF Center Frequency

Syntax

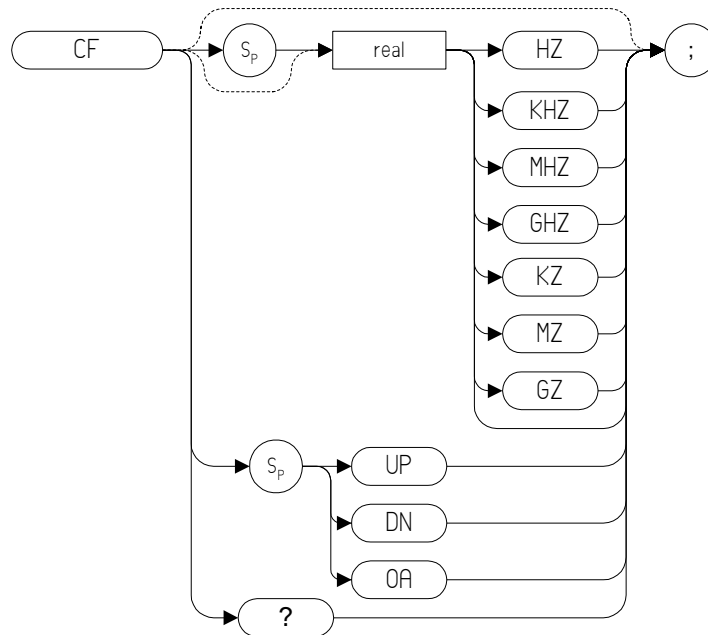


Table 4-3

Item	Description/Default	Range
REAL	Any real or integer number. Default unit is HZ.	Frequency range of the spectrum analyzer

Description

The CF command specifies the value of the center frequency.

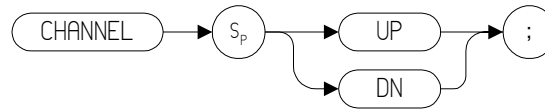
The step size depends on whether the frequency has been coupled to the span width using the CS command (page 159). When coupled, the step size is 10% of the span, or one major graticule division; when uncoupled, the step size is determined by the SS command (page 367).

NOTE

Although the spectrum analyzer allows entry of frequencies not in the specified frequency range, using frequencies outside the frequency span of the spectrum analyzer is not recommended and is not warranted to meet specifications.

CHANNEL Channel Selection

Syntax



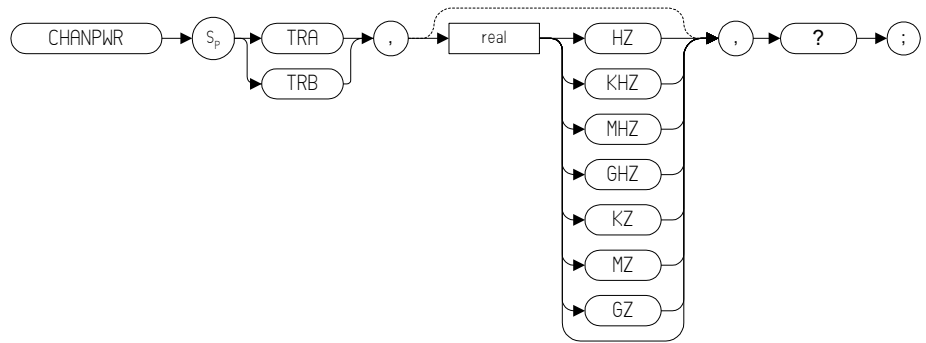
Description

Increments or decrements the spectrum analyzer center frequency by one channel spacing.

NOTE The channel spacing value is set using the ACPSP command ([page 114](#)).

CHANPWR Channel Power

Syntax



Description

Measures the power within the specified channel bandwidth.

NOTE

If no channel bandwidth is specified in the command, the channel bandwidth is set using the CHPWRBR command ([page 151](#)).

CHP Channel Power

Syntax



Description

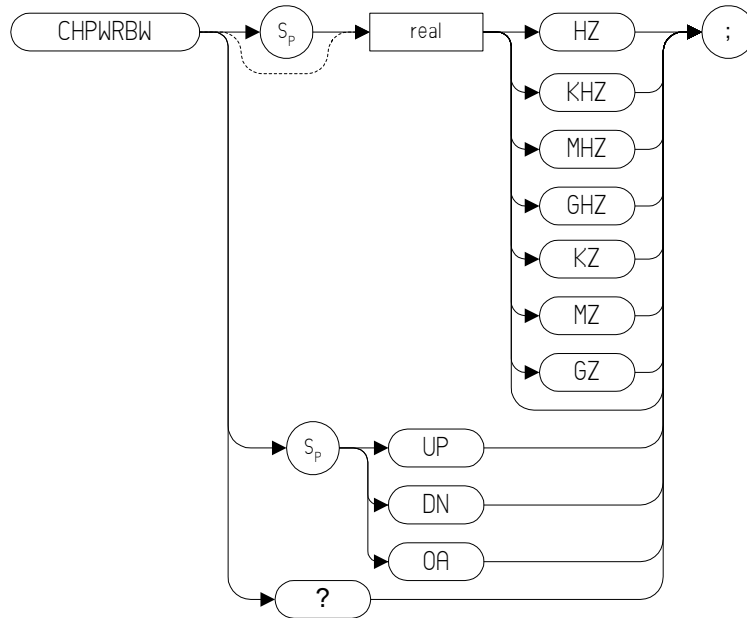
The CHP command performs the channel power measurement.

NOTE

The channel bandwidth is set with the ACPBW command ([page 104](#)).
Channel spacing is set with the ACPSP command ([page 114](#)).

CHPWRBW Channel Power Bandwidth

Syntax



Description

Queries or sets the current value of the channel power bandwidth. Channel power can be measured with the CHANPWR command ([page 149](#)).

CLRAVG Clear Average

Syntax



```
CLRAVG → ;
```

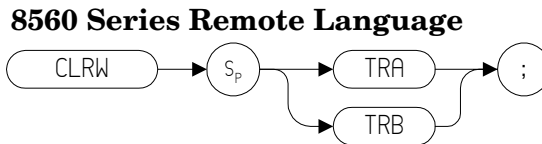
Description

The command restarts the VAVG command by resetting the number of averaged sweeps to one. The video averaging routine resets the number of sweeps, but does not stop video averaging. Use “VAVG OFF;” to stop video averaging.

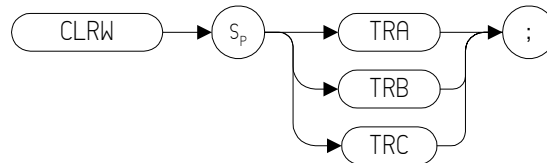
CLRW Clear Write

Clears the specified trace and enables trace data acquisition.

Syntax



8566, 8568, and 8590 Series Remote Language



Preset State: CLRW TRA

Description

The CLRW command places the indicated trace in clear-write mode. Data acquisition begins at the next sweep. (See the TS command [\(page 395\)](#) for more information about data acquisition.)

TRA corresponds to Trace 1, TRB corresponds to Trace 2, and TRC corresponds to Trace 3.

NOTE

The functions of the command CLRW are identical to the A1 command [\(page 95\)](#) and B1 command [\(page 133\)](#).

CLS Clear Status Byte

Syntax

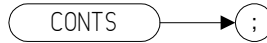
```
CLS → ;
```

Description

Clears all the status bits from the status byte.

CONTS Continuous Sweep

Syntax



Preset State: CONTS

Description

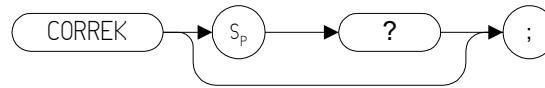
The CONTS command sets the spectrum analyzer to continuous sweep mode. In the continuous sweep mode, the spectrum analyzer takes its next sweep as soon as possible after the current sweep (as long as the trigger conditions are met). A sweep may temporarily be interrupted by data entries made over the remote interface or from the front panel.

NOTE

The functions of the command CONTS are identical to the S1 command ([page 344](#)).

CORREK Correction Factors On

Syntax

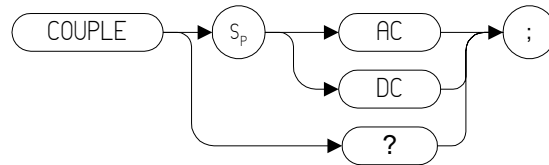


Description

The CORREK command queries the state of the analyzer frequency corrections. It returns a “1” if the correction factors are on, a “0” if they are off.

COUPLE Input Coupling

Syntax



Description

The COUPLE command selects AC or DC coupling.

NOTE

PSA models E4446A, E4447A, and E4448A do not allow AC coupling.

ESA-E model E4407B does not allow AC coupling unless Option UKB has been installed.

ESA-E model E4401B does not allow DC coupling.

ESA-E model E4402B does not allow DC coupling unless Option UKB has been installed.

CR Couple Resolution Bandwidth

Syntax



Description

The CR command couples the resolution bandwidth to the video bandwidth and to the sweep time.

The counterpart to the CR command is the RB command ([page 333](#)) which breaks the coupling. Use the CR command to re-establish coupling after executing an RB command.

NOTE

CR uses the coupling settings from the ESA-E, the ESA-L, or the PSA analyzer. These may differ from the settings that you would have seen on the legacy analyzer being emulated here.

CS Couple Frequency Step Size

Syntax



Description

The CS command couples the center frequency step size to the span width so that the step size equals 10% of the span width, or one major graticule division.

The counterpart to the CS command is the SS command ([page 367](#)) which breaks the coupling. Use the CS command to re-establish coupling after an SS command has been executed.

CT Couple Sweep Time

Syntax



Description

The CT command couples the sweep time to the span, resolution bandwidth and video bandwidth.

The counterpart to the CT command is the ST command ([page 369](#)) which breaks the coupling. Use the CT command to re-establish coupling after an ST command has been executed.

CV Couple Video Bandwidth

Syntax



Description

The CV command couples the video bandwidth to the resolution bandwidth.

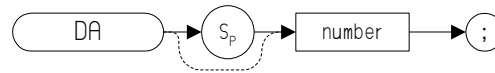
The counterpart to the CV command is the VB command ([page 398](#)) which breaks the coupling. Use the CV command to re-establish coupling after executing a VB command.

NOTE

CV uses the coupling settings from the ESA-E, the ESA-L, or the PSA analyzer. These may differ from the settings that you would have seen on the legacy analyzer being emulated here.

DA Display Address

Syntax



Description

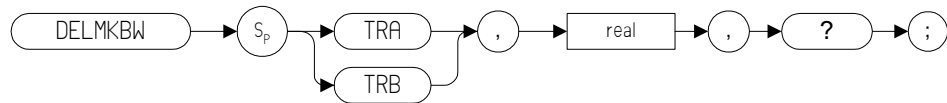
The DA command returns the contents of the given display address to the controller

NOTE

This command only supports the use of the DA 1, DA 1025, and DA 3073; these display addresses contain the trace data and are equivalent to using the commands TRA? ([page 388](#)), TRB? ([page 389](#)), TRC? ([page 390](#)), TA ([page 381](#)) and TB ([page 382](#)).

DELMKBW Occupied Power Bandwidth Within Delta Marker

Syntax



Description

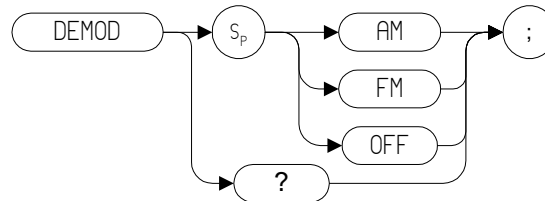
Calculates the OBW with respect to the power between the displayed delta markers. The power between the displayed markers is then used as the reference, rather than using the total power in the frequency span as is done in the PWRBW ([page 325](#)) command.

NOTE

If the DELMKBW command is used when no marker is active, a delta marker is activated at the center frequency, and the returned bandwidth is 0. If the active marker is a normal marker when the DELMKBW command is used, the marker type is changed to delta, and the returned bandwidth is 0.

DEMOD Demodulation

Syntax



Description

Activates either AM or FM demodulation, or turns demodulation OFF

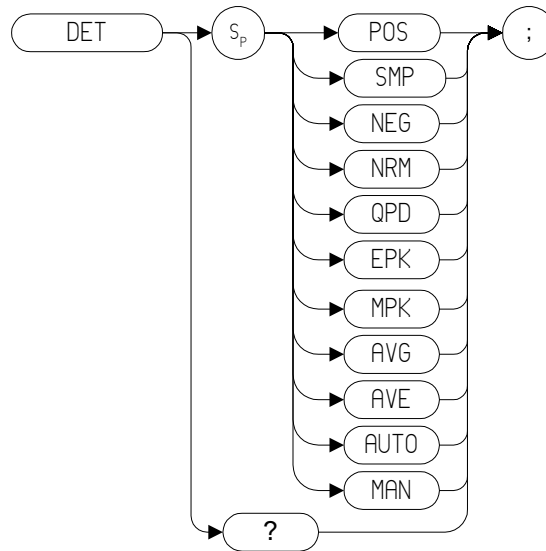
NOTE

This command is only supported on the ESA Series of analyzers with Rev B.00.00 or later of the Option 266 software. It is not supported on the PSA Series of analyzers. FM demodulation is only supported on ESA Series analyzers if the hardware option BAA has been installed.

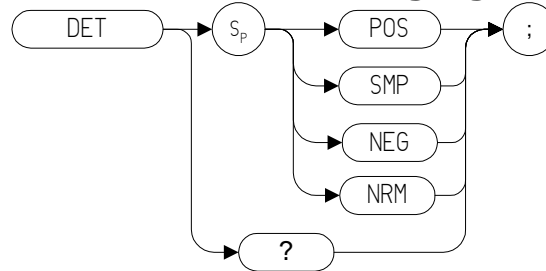
DET Detection Mode

Syntax

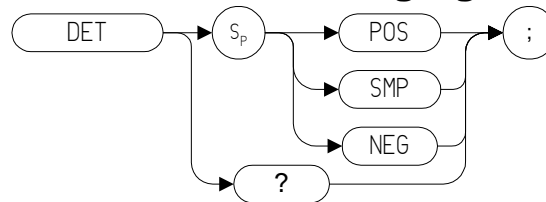
8566 and 8568 Remote Language



8560 Series Remote Language



8590 Series Remote Language



Preset State on ESA Series analyzers: DET POS

Preset State on PSA Series analyzers: DET NRM

Description

The DET command selects the type of spectrum analyzer detection (positive-peak, negative peak, sample, normal, and so on).

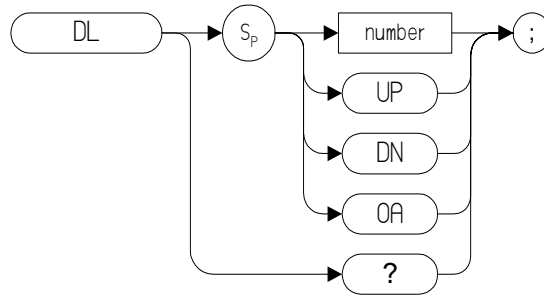
POS	enables positive-peak detection, which displays the maximum video signal detected over a number of instantaneous samples for a particular frequency.
SMP	enables sample detection, which uses the instantaneous video signal value. Video averaging and noise-level markers, when activated, activate sample detection automatically.
NEG	enables negative peak detection in sweep times of less than or equal to 200 ms.
NRM (PSA)	PSA series analyzers only - enables the <i>'rosenfell'</i> detection algorithm that selectively chooses between positive and negative values.
NRM (ESA)	ESA series analyzers only - normal detection is not possible on ESA series analyzers, so the detection will default to positive-peak detection (POS) when NRM is selected.
QPD (PSA)	PSA series analyzers only - enables quasi-peak detection for EMC measurements.
EPK (PSA)	PSA series analyzers only - enables EMI peak detection for EMC measurements.
MPK (PSA)	PSA series analyzers only - enables MIL peak detection to meet military specifications when making EMC measurements.
AVG (PSA)	PSA series analyzers only - enables EMI average detection for EMC measurements.
AVE (PSA)	PSA series analyzers only - enables average peak detection (non-EMC measurements).
AUTO	sets the detector function selection to auto.
MAN	sets the detector function selection to manual.

NOTE The functions of the DET command are identical to the KSa command ([page 208](#)), the KSb command ([page 210](#)), the KSd command ([page 214](#)), the KSe command ([page 216](#)), the Q0 command ([page 327](#)), and the Q1 command ([page 328](#)).

DL Display Line

Syntax

8566 and 8568 Remote Language



8590 Series and 8590 Series Remote Language

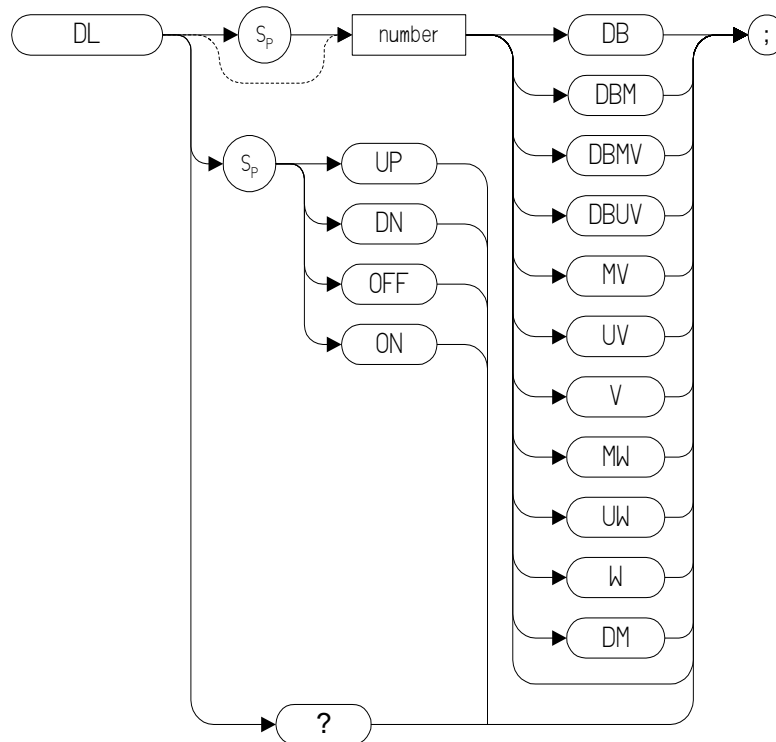


Table 4-4

Item	Description/Default	Range
NUMBER	Any real or integer number. Default units are dBm.	Dependent on the reference level

Programming Commands

DL Display Line

Preset State: DL OFF

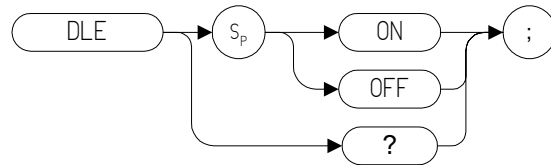
Step Increment: 1 major graticule division

Description

Defines the level of the display line and displays it on the spectrum analyzer screen.

DLE Display Line Enable

Syntax

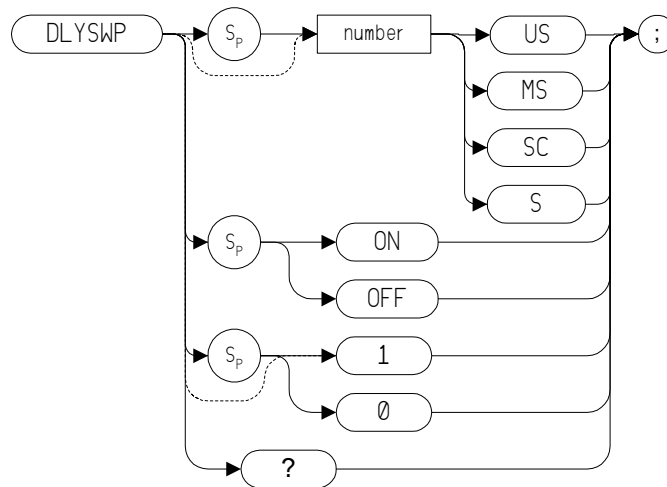


Description

The DLE command enables or disables the display line.

DLYSWP Delay Sweep

Syntax



Description

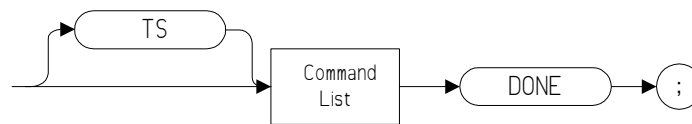
Delays the start of the sweep until the specified time after the trigger event has elapsed.

NOTE A query response of 0 indicates that DLYSWP is switched off.

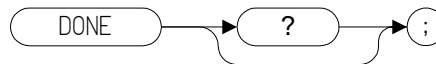
DONE Done

Syntax

8566 and 8568 Remote Language



8590 Series and 8590 Series



Description

Allows you to determine when the spectrum analyzer has parsed a list of spectrum analyzer commands and has executed all commands prior to and including DONE. The DONE command returns a value of “1” when all commands in a command string or command list have been completed.

If a take sweep (TS command ([page 395](#))) precedes the command list, the TS command acts as a synchronizing function since the command list execution begins after the sweep has been completed.

E1[one] Peak Marker

Syntax



Description

The E1 command positions the marker at the signal peak.

NOTE

The functions of the E1 command are identical to MKPK (no secondary keyword) and MKPK HI ([page 288](#)).

E2 [two] Marker to Center Frequency

Syntax



Description

The E2 command positions the marker on the screen at the center frequency position.

NOTE

The functions of the E2 command are identical to the MKCF command ([page 276](#)).

E3 [*three*] Delta Marker Step Size

Syntax



Description

The E3 command establishes the center frequency step size as being the frequency difference between the delta marker and the active marker.

NOTE

The functions of the E3 command are identical to the MKSS command ([page 295](#)).

E4 [four] Marker to Reference Level

Syntax



Description

The E4 command moves the active marker to the reference level.


NOTE

The functions of the E4 command are identical to the MKRL command ([page 293](#)).

EDITDONE

End of Limit Line Edits

Syntax



```
EDITDONE → ;
```

Description

The EDITDONE command is used at the completion of limit-line editing within the EDITLIML command ([page 177](#)).

EDITLIML Edit Limit Line

Syntax

EDITLIML → ;

Description

The EDITLIML command turns the currently active limit line off, and puts the analyzer into limit-line edit mode.

ERR Error

Syntax



Description

The ERR command returns an integer list of error codes to the controller.

ET Elapsed Time

Syntax



Description

The ET command returns to the controller the elapsed time (in hours) of analyzer operation.

EX Exchange Trace A and Trace B

Syntax



```
EX → ;
```

Description

This command exchanges Trace A and Trace B, point by point.

NOTE

The functions of the EX command are identical to the AXB command ([page 132](#)) and to the XCH TRA,TRB command ([page 404](#)).

FA Start Frequency

Syntax

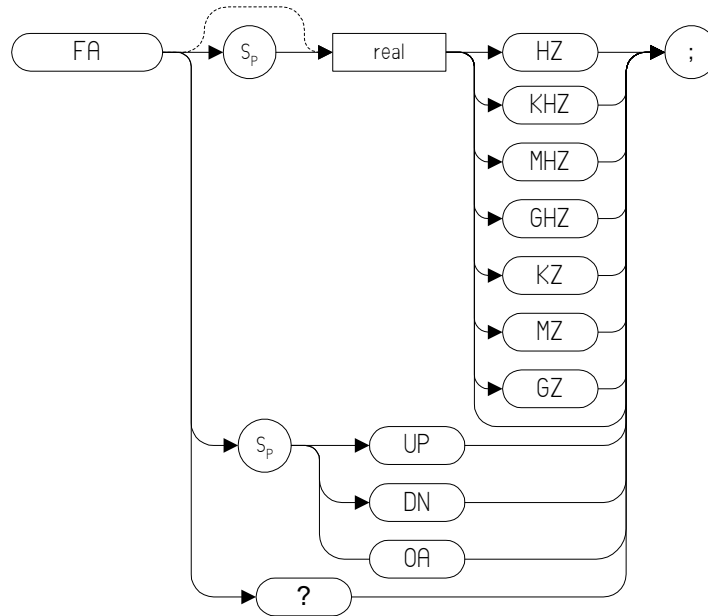


Table 4-5

Item	Description/Default	Range
REAL	Any real or integer number. Default unit is Hz.	Frequency range of the spectrum analyzer

Step Increment: Frequency span divided by 10

Description

The FA command specifies the start frequency value. The start frequency is equal to the center frequency minus (the span divided by two) ($FA = CF - SP/2$). Changing the start frequency changes the center frequency and span.

NOTE

The OA parameter only returns the current value to the controller. It does not set the active function to the start frequency.

FB Stop Frequency

Syntax

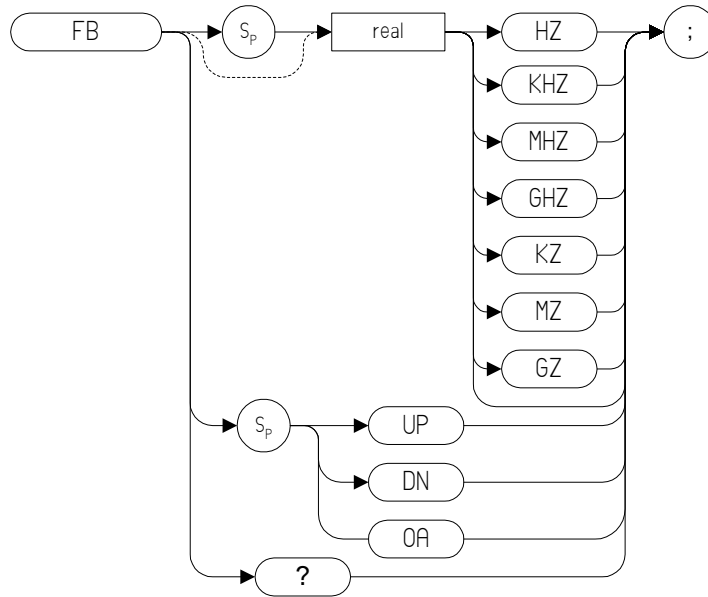


Table 4-6

Item	Description/Default	Range
REAL	Any real or integer number. Default unit is Hz.	Frequency range of the spectrum analyzer

Step Increment: Frequency span divided by 10

Description

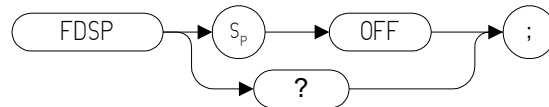
The FB command specifies the stop frequency value. The stop frequency is equal to the center frequency plus the span divided by two ($FB = CF + SP/2$). Changing the stop frequency changes the center frequency and span.

NOTE

The OA parameter only returns the current value to the controller. It does not set the active function to the stop frequency.

FDSP Frequency Display Off

Syntax



Description

The FDSP command turns the frequency annotation OFF.

NOTE

It is not possible enable or disable the frequency annotation alone, leaving other annotation unaffected. Thus, the FDSP command behaves in the same way as ANNOT ([page 123](#)) If the FDSP command has been used to disable the frequency annotation, sending the ANNOT ON command will not re-enable the display annotation. The display annotation will only be displayed by sending the IP ([page 204](#)) command.

FOFFSET Frequency Offset

Syntax

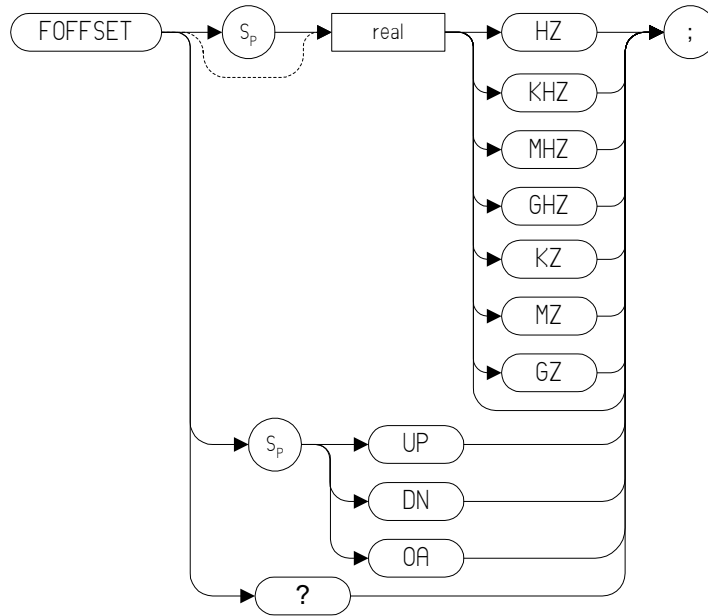


Table 4-7

Item	Description/Default	Range
REAL	Any real or integer number. Default unit is Hz.	

Preset State: 0 Hz

Description

The FOFFSET command selects a value that offsets the frequency scale for all absolute frequency readouts (for example, center frequency). Relative values such as span and marker delta are not offset.

When an offset is in effect, it is displayed beneath the bottom graticule line on the spectrum analyzer screen.

Execute “FOFFSET 0;” or “IP;” to turn off the offset.

NOTE

The functions of the FOFFSET command are identical to the KSV command ([page 236](#)).

FPKA Fast Preselector Peak

Syntax



Description

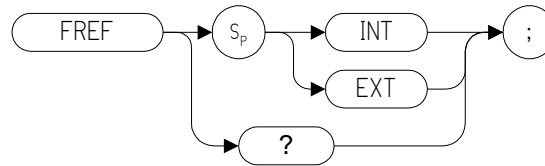
The FPKA command automatically adjusts the preselector frequency to yield the greatest signal level at the active marker. It returns the amplitude of the active marker.

NOTE

The FPKA command is only available when the analyzer's upper frequency limit is greater than 3 GHz. The command is not supported in analyzers with an upper frequency limit of 3 GHz or less, and will return an error message when used.

FREF Frequency Reference

Syntax



Description

The FREF command specifies whether an external source or an internal source is being used.

NOTE

The FREF command is only supported on the PSA Series of analyzers. It is not supported on any of the ESA Series.

FS Full Span

Syntax



Description

The FS command sets the frequency span of the spectrum analyzer to full span. Resolution bandwidth, video bandwidth, and sweep time are all set to auto-coupled.

NOTE The functions of the FS command are identical to the LF command ([page 241](#)).

NOTE Whenever the frequency range of the analyzer you are using does not match the remote language's own range, the span will be limited by the capabilities of the analyzer. The tables on the following pages list the frequency ranges for all the supported remote languages when running on any of Agilent's ESA-E Series, ESA-L Series and PSA Series of analyzers.

Table 4-8 ESA-E Series - Frequency Ranges Set by the FS Command

	E4401B	E4402B	E4404B	E4405B	E4407B
Remote Language	Frequency Range	Frequency Range	Frequency Range	Frequency Range	Frequency Range
8560E	0 Hz - 1.5 GHz	0 Hz - 2.9 GHz	0 Hz - 2.9 GHz	0 Hz - 2.9 GHz	0 Hz - 2.9 GHz
8561E	0 Hz - 1.5 GHz	0 Hz - 3.0 GHz	0 Hz - 6.5 GHz	0 Hz - 6.5 GHz	0 Hz - 6.5 GHz
8562E	0 Hz - 1.5 GHz	0 Hz - 3.0 GHz	0 Hz - 6.7 GHz	0 Hz - 13.2 GHz	0 Hz - 13.2 GHz
8563E	0 Hz - 1.5 GHz	0 Hz - 3.0 GHz	0 Hz - 6.7 GHz	0 Hz - 13.2 GHz	0 Hz - 26.5 GHz
8564E	0 Hz - 1.5 GHz	0 Hz - 3.0 GHz	0 Hz - 6.7 GHz	0 Hz - 13.2 GHz	0 Hz - 26.5 GHz
8565E	0 Hz - 1.5 GHz	0 Hz - 3.0 GHz	0 Hz - 6.7 GHz	0 Hz - 13.2 GHz	0 Hz - 26.5 GHz
8566A	0 Hz - 1.5 GHz	0 Hz - 2.5 GHz	0 Hz - 2.5 GHz	0 Hz - 2.5 GHz	0 Hz - 2.5 GHz
8566B	0 Hz - 1.5 GHz	0 Hz - 2.5 GHz	0 Hz - 2.5 GHz	0 Hz - 2.5 GHz	0 Hz - 2.5 GHz
8568A	0 Hz - 1.5 GHz	0 Hz - 1.5 GHz	0 Hz - 1.5 GHz	0 Hz - 1.5 GHz	0 Hz - 1.5 GHz
8568B	0 Hz - 1.5 GHz	0 Hz - 1.5 GHz	0 Hz - 1.5 GHz	0 Hz - 1.5 GHz	0 Hz - 1.5 GHz
8590L	0 Hz - 1.5 GHz	0 Hz - 1.8 GHz	0 Hz - 1.8 GHz	0 Hz - 1.8 GHz	0 Hz - 1.8 GHz
8591E	0 Hz - 1.5 GHz	0 Hz - 1.8 GHz	0 Hz - 1.8 GHz	0 Hz - 1.8 GHz	0 Hz - 1.8 GHz
8592L ^a	Not a suitable combination	2.75 GHz - 3.0 GHz	2.75 GHz - 6.7 GHz	2.75 GHz - 13.2 GHz	2.75 GHz - 22.0 GHz
8593E ^a	Not a suitable combination	2.75 GHz - 3.0 GHz	2.75 GHz - 6.7 GHz	2.75 GHz - 13.2 GHz	2.75 GHz - 22.0 GHz
8594E	0 Hz - 1.5 GHz	0 Hz - 2.9 GHz	0 Hz - 2.9 GHz	0 Hz - 2.9 GHz	0 Hz - 2.9 GHz
8595E	0 Hz - 1.5 GHz	0 Hz - 3.0 GHz	0 Hz - 6.5 GHz	0 Hz - 6.5 GHz	0 Hz - 6.5 GHz
8596E ^a	0 Hz - 1.5 GHz	0 Hz - 3.0 GHz	0 Hz - 6.7 GHz	0 Hz - 12.8 GHz	0 Hz - 12.8 GHz

- a. The command HNLOCK (Harmonic Lock) is not supported in Option 266. Thus, the different frequency spans associated with the various harmonic bands are also not supported.

Table 4-9 ESA-L Series - Frequency Ranges Set by the FS Command

	E4411B	E4403B	E4408B
Remote Language	Frequency Range	Frequency Range	Frequency Range
8590L	0 Hz - 1.5 GHz	0 Hz - 1.8 GHz	0 Hz - 1.8 GHz
8591E	0 Hz - 1.5 GHz	0 Hz - 1.8 GHz	0 Hz - 1.8 GHz
8592L ^a	Not a suitable combination	2.75 GHz - 3.0 GHz	2.75 GHz - 22.0 GHz
8593E ^a	Not a suitable combination	2.75 GHz - 3.0 GHz	2.75 GHz - 22.0 GHz
8594E	0 Hz - 1.5 GHz	0 Hz - 2.9 GHz	0 Hz - 2.9 GHz
8595E	0 Hz - 1.5 GHz	0 Hz - 3.0 GHz	0 Hz - 6.5 GHz
8596E ^a	0 Hz - 1.5 GHz	0 Hz -3.0 GHz	0 Hz - 12.8 GHz

a. The command HNLOCK (Harmonic Lock) is not supported in Option 266. Thus, the different frequency spans associated with the various harmonic bands are also not supported.

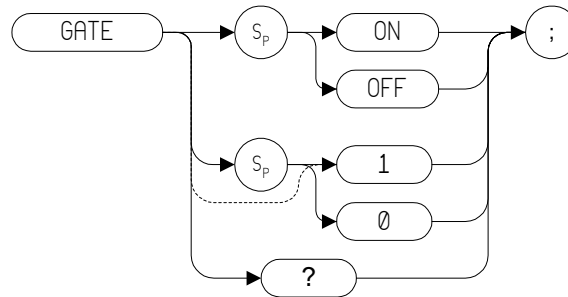
Table 4-10 PSA Series - Frequency Ranges Set by the FS Command

	E4440A	E4443A	E4445A	E4446A	E4447A	E4448A
Remote Language	Frequency Range	Frequency Range	Frequency Range	Frequency Range	Frequency Range	Frequency Range
8560E	0 Hz - 2.9 GHz	0 Hz - 2.9 GHz	0 Hz - 2.9 GHz	0 Hz - 2.9 GHz	0 Hz - 2.9 GHz	0 Hz - 2.9 GHz
8561E	0 Hz - 6.5 GHz	0 Hz - 6.5 GHz	0 Hz - 6.5 GHz	0 Hz - 6.5 GHz	0 Hz - 6.5 GHz	0 Hz - 6.5 GHz
8562E	0 Hz - 13.2 GHz	0 Hz - 6.7 GHz	0 Hz - 13.2 GHz	0 Hz - 13.2 GHz	0 Hz - 13.2 GHz	0 Hz - 13.2 GHz
8563E	0 Hz - 26.5 GHz	0 Hz - 6.7 GHz	0 Hz - 13.2 GHz	0 Hz - 26.5 GHz	0 Hz - 26.5 GHz	0 Hz - 26.5 GHz
8564E	0 Hz - 26.5 GHz	0 Hz - 6.7 GHz	0 Hz - 13.2 GHz	0 Hz - 40.0 GHz	0 Hz - 40.0 GHz	0 Hz - 40.0 GHz
8565E	0 Hz - 26.5 GHz	0 Hz - 6.7 GHz	0 Hz - 13.2 GHz	0 Hz - 44.0 GHz	0 Hz - 42.98 GHz	0 Hz - 50.0 GHz
8566A	0 Hz - 2.5 GHz	0 Hz - 2.5 GHz	0 Hz - 2.5 GHz	0 Hz - 2.5 GHz	0 Hz - 2.5 GHz	0 Hz - 2.5 GHz
8566B	0 Hz - 2.5 GHz	0 Hz - 2.5 GHz	0 Hz - 2.5 GHz	0 Hz - 2.5 GHz	0 Hz - 2.5 GHz	0 Hz - 2.5 GHz
8568A	0 Hz - 1.5 GHz	0 Hz - 1.5 GHz	0 Hz - 1.5 GHz	0 Hz - 1.5 GHz	0 Hz - 1.5 GHz	0 Hz - 1.5 GHz
8568B	0 Hz - 1.5 GHz	0 Hz - 1.5 GHz	0 Hz - 1.5 GHz	0 Hz - 1.5 GHz	0 Hz - 1.5 GHz	0 Hz - 1.5 GHz
8590L	0 Hz - 1.8 GHz	0 Hz - 1.8 GHz	0 Hz - 1.8 GHz	0 Hz - 1.8 GHz	0 Hz - 1.8 GHz	0 Hz - 1.8 GHz
8591E	0 Hz - 1.8 GHz	0 Hz - 1.8 GHz	0 Hz - 1.8 GHz	0 Hz - 1.8 GHz	0 Hz - 1.8 GHz	0 Hz - 1.8 GHz
8592L ^a	2.75 GHz - 22.0 GHz	2.75 GHz - 6.7 GHz	2.75 GHz - 13.2 GHz	2.75 GHz - 22.0 GHz	2.75 GHz - 22.0 GHz	2.75 GHz - 22.0 GHz
8593E ^a	2.75 GHz - 22.0 GHz	2.75 GHz - 6.7 GHz	2.75 GHz - 13.2 GHz	2.75 GHz - 22.0 GHz	2.75 GHz - 22.0 GHz	2.75 GHz - 22.0 GHz
8594E	0 Hz - 1.5 GHz	0 Hz - 2.9 GHz	0 Hz - 2.9 GHz	0 Hz - 2.9 GHz	0 Hz - 2.9 GHz	0 Hz - 2.9 GHz
8595E	0 Hz - 1.5 GHz	0 Hz - 6.5 GHz	0 Hz - 6.5 GHz	0 Hz - 6.5 GHz	0 Hz - 6.5 GHz	0 Hz - 6.5 GHz
8596E ^a	0 Hz - 1.5 GHz	0 Hz - 6.7 GHz	0 Hz - 12.8 GHz	0 Hz - 12.8 GHz	0 Hz - 12.8 GHz	0 Hz - 12.8 GHz

a. The command HNLOCK (Harmonic Lock) is not supported in Option 266. Thus, the different frequency spans associated with the various harmonic bands are also not supported.

GATE Gate

Syntax



Description

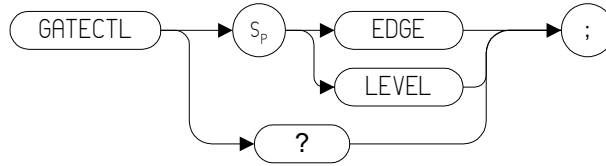
The GATE command turns the time-gating function on and off.

NOTE This command is only supported on the ESA Series of analyzers with Rev B.00.00 or later of the Option 266 software, and then only if Option 1D6 (Time Gating) has been installed. It is not supported on any of the PSA Series of analyzers.

NOTE The query response is either 1 or 0, indicating ON or OFF state.

GATECTL Gate Control

Syntax



Description

Selects between the edge and level mode for time-gate function.

NOTE

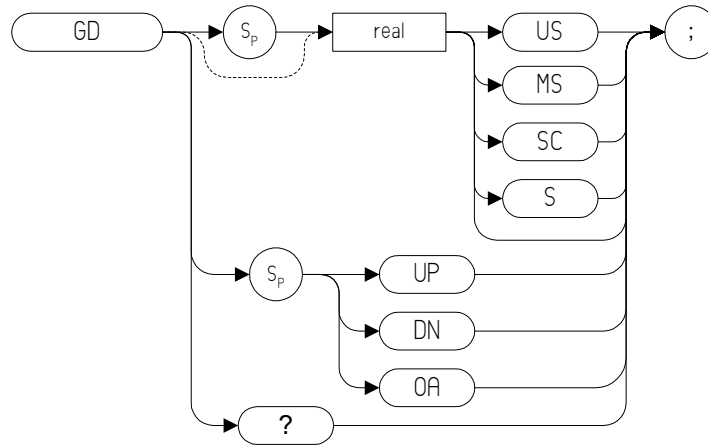
This command is only supported on the ESA Series of analyzers with Rev B.00.00 or later of the Option 266 software, and then only if Option 1D6 (Time Gating) has been installed. It is not supported on the PSA Series of analyzers.

NOTE

The functions of the GATECTL command are identical to the T7 command ([page 379](#)) and the T8 command ([page 380](#)).

GD Gate Delay

Syntax



Description

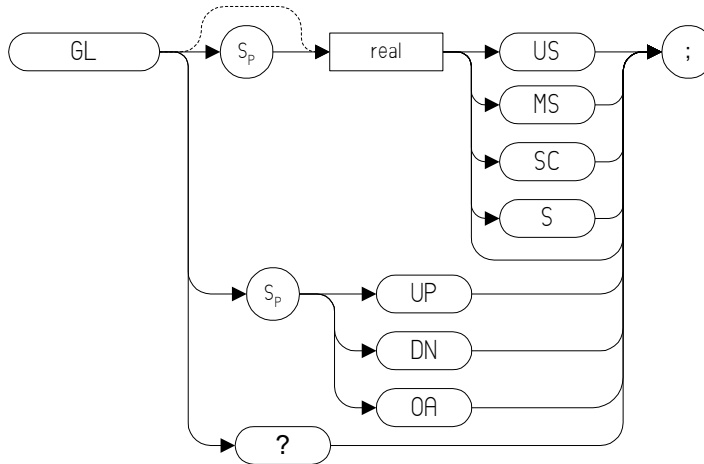
Sets the delay time from when the gate trigger occurs to when the gate is turned on. GD only applies only if GATECTL ([page 192](#)) is set to EDGE.

NOTE

This command is only supported on the ESA Series of analyzers with Rev B.00.00 or later of the Option 266 software, and then only if Option 1D6 (Time Gating) has been installed. It is not supported on the PSA Series of analyzers.

GL Gate Length

Syntax



Description

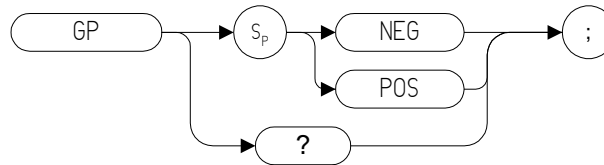
Sets the length of time the time gate is turned on. GL applies only if GATECTL (page 192) is set to EDGE.

NOTE

This command is only supported on the ESA Series of analyzers with Rev B.00.00 or later of the Option 266 software, and then only if Option 1D6 (Time Gating) has been installed. It is not supported on the PSA Series of analyzers.

GP Gate Polarity

Syntax



Description

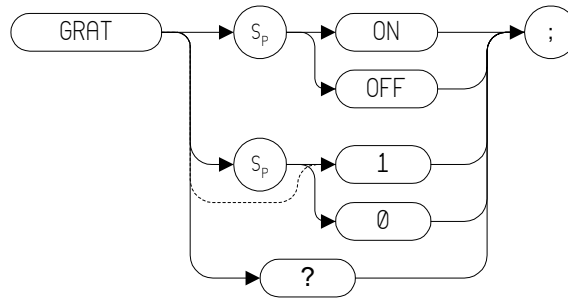
Sets the polarity for the gate trigger.

NOTE

This command is only supported on the ESA Series of analyzers with Rev B.00.00 or later of the Option 266 software, and then only if Option 1D6 (Time Gating) has been installed. It is not supported on the PSA Series of analyzers.

GRAT Graticule

Syntax



Preset State: GRAT ON

Description

Turns the graticule on or off.

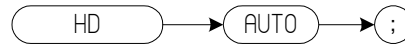
NOTE The functions of the GRAT command are identical to the KSm command ([page 229](#)) and the KSn command ([page 231](#)).

NOTE The query command GRAT? returns different responses depending on the language being used.

- | | |
|-------------|--|
| 8560 Series | Query response is either 1 or 0, indicating ON or OFF state. |
| 8566A | Query response is either ON or OFF. |
| 8566B | Query response is either ON or OFF. |
| 8568A | Query response is either ON or OFF. |
| 8568B | Query response is either ON or OFF. |
| 8590 Series | Query response is either ON or OFF. |
-

HD Hold Data Entry

Syntax



Description

Disables data entry via the spectrum analyzer numeric keypad, knob, or step keys. The active function readout is blanked, and any active function is deactivated.

NOTE

This command will only be supported when followed by the parameter AUTO ([page 129](#)). All functions will then be auto-coupled.

I1 [one] Set RF Coupling to DC

Syntax

Description

The I1 [one] command sets the RF coupling to DC if your analyzer is capable of being switched. If your analyzer cannot be switched to DC coupling, the command will have no effect but an error message will not be generated.

Whether or not your analyzer can be AC coupled, DC coupled, or both depends on both the analyzer's model number, and on whether or not Option UKB (Low Frequency Extension) has been installed. The tables below list the frequency specifications for all ESA-E series and PSA analyzers for both DC and AC coupling.

Table 4-11 8568A/B Analyzer Frequency Coupling Specifications

Analyzer Model	DC Coupled Range		AC Coupled Range	
	Min. Freq.	Max. Freq.	Min. Freq.	Max. Freq.
8568A/B	100 Hz	1.5 GHz	100 kHz	1.5 GHz

Table 4-12 PSA Series Analyzer Frequency Coupling Specifications

Analyzer Model (PSA series)	DC Coupled Range		AC Coupled Range	
	Min. Freq.	Max. Freq.	Min. Freq.	Max. Freq.
E4440A	3 Hz	26.5 GHz	10 MHz	26.5 GHz
E4443A	3 Hz	6.7 GHz	10 MHz	6.7 GHz
E4445A	3 Hz	13.2 GHz	10 MHz	13.2 GHz
E4446A	3 Hz	44 GHz	N/A	N/A
E4447A	3 Hz	42.98 GHz	N/A	N/A
E4448A	3 Hz	50 GHz	N/A	N/A

Table 4-13 **ESA Series Analyzer Frequency Coupling Specifications**

Analyzer Model (ESA-E series)	Installed Options	DC Coupled Range		AC Coupled Range	
		Min. Freq.	Max. Freq.	Min. Freq.	Max. Freq.
E4401B		N/A	N/A	9 kHz	1.5 GHz
E4402B		N/A	N/A	9 kHz	3.0 GHz
E4402B	UKB	100 Hz	3.0 GHz	100 kHz	3.0 GHz
E4404B		9 kHz	6.7 GHz	100 kHz	6.7 GHz
E4404B	UKB	100 Hz	6.7 GHz	100 kHz	6.7 GHz
E4405B		9 kHz	13.2 GHz	100 kHz	13.2 GHz
E4405B	UKB	100 Hz	13.2 GHz	100 kHz	13.2 GHz
E4407B		9 kHz	26.5 GHz	N/A	N/A
E4407B	UKB	100 Hz	26.5 GHz	10 MHz	26.5 GHz

NOTE The ESA series and PSA series analyzers only have a single RF input port.

I2 [two] Set RF Coupling to AC

Syntax

Description

The I2 [two] command sets the RF coupling to AC if your analyzer is capable of being switched. If your analyzer cannot be switched to AC coupling, the command will have no effect but an error message will not be generated.

Whether or not your analyzer can be AC coupled, DC coupled, or both depends on both the analyzer's model number, and on whether or not Option UKB (Low Frequency Extension) has been installed. The tables below list the frequency specifications for all ESA-E series and PSA analyzers for both DC and AC coupling.

Table 4-14 8568A/B Analyzer Frequency Coupling Specifications

Analyzer Model	DC Coupled Range		AC Coupled Range	
	Min. Freq.	Max. Freq.	Min. Freq.	Max. Freq.
8568A/B	100 Hz	1.5 GHz	100 kHz	1.5 GHz

Table 4-15 PSA Series Analyzer Frequency Coupling Specifications

Analyzer Model (PSA series)	DC Coupled Range		AC Coupled Range	
	Min. Freq.	Max. Freq.	Min. Freq.	Max. Freq.
E4440A	3 Hz	26.5 GHz	10 MHz	26.5 GHz
E4443A	3 Hz	6.7 GHz	10 MHz	6.7 GHz
E4445A	3 Hz	13.2 GHz	10 MHz	13.2 GHz
E4446A	3 Hz	44 GHz	N/A	N/A
E4447A	3 Hz	42.98 GHz	N/A	N/A
E4448A	3 Hz	50 GHz	N/A	N/A

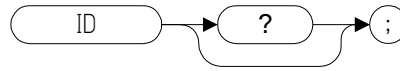
Table 4-16 **ESA Series Analyzer Frequency Coupling Specifications**

		DC Coupled Range		AC Coupled Range	
Analyzer Model (ESA-E series)	Installed Options	Min. Freq.	Max. Freq.	Min. Freq.	Max. Freq.
E4401B		N/A	N/A	9 kHz	1.5 GHz
E4402B		N/A	N/A	9 kHz	3.0 GHz
E4402B	UKB	100 Hz	3.0 GHz	100 kHz	3.0 GHz
E4404B		9 kHz	6.7 GHz	100 kHz	6.7 GHz
E4404B	UKB	100 Hz	6.7 GHz	100 kHz	6.7 GHz
E4405B		9 kHz	13.2 GHz	100 kHz	13.2 GHz
E4405B	UKB	100 Hz	13.2 GHz	100 kHz	13.2 GHz
E4407B		9 kHz	26.5 GHz	N/A	N/A
E4407B	UKB	100 Hz	26.5 GHz	10 MHz	26.5 GHz

NOTE The ESA series and PSA series analyzers only have a single RF input port.

ID Identify

Syntax



Description

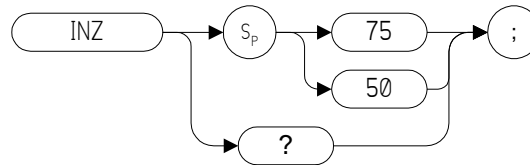
The ID command returns the current remote language to the controller (for example, “HP8566B”).

NOTE

The response value is determined by your remote language selection. This is configured via the front-panel menu selection for remote ID. See [“Configuring Option 266 on ESA and PSA Analyzers” on page 41](#) for details.

INZ Input Impedance

Syntax



Description

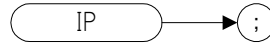
Specifies the value of input impedance expected at the active input port.

NOTE

This command is only supported on the ESA Series of analyzers with Rev B.00.00 or later of the Option 266 software. It is not supported on the PSA Series of analyzers.

IP Instrument Preset

Syntax



Description

Performs an instrument preset, setting the analyzer back to its factory settings.

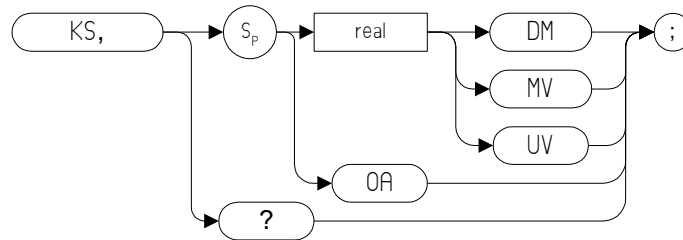
Instrument preset automatically occurs when you turn on the spectrum analyzer. IP is a good starting point for many measurement processes. When IP is executed remotely, the spectrum analyzer does not necessarily execute a complete sweep, however. You should execute a take sweep (TS) to ensure that the trace data is valid after an IP.

NOTE The functions of the IP command are identical to the KST command ([page 235](#)).

NOTE If the external amplifier gain has been set, executing an IP command will not reset this value. This is to protect the analyzer.

KS, Mixer Level

Syntax



Description

The KS, command specifies the maximum signal level that is applied to the input mixer for a signal that is equal to or below the reference level.

The effective mixer level is equal to the reference level minus the input attenuator setting. When KS, is activated, the effective mixer level can be set from -10 dBm to -70 dBm in 10 dB steps.

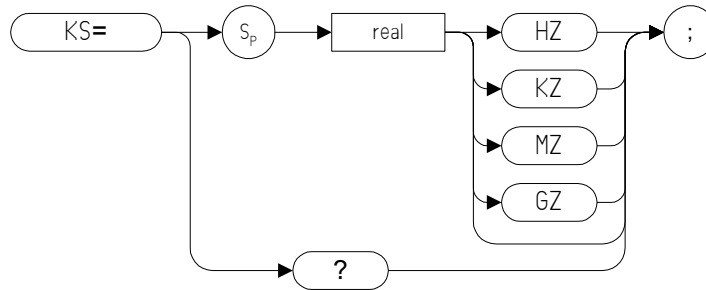
As the reference level is changed, the coupled input attenuator automatically changes to limit the maximum signal at the mixer input to your specified setting for signals less than or equal to the reference level.

NOTE If the external amplifier gain has been set, executing an IP command will not reset this value. This is to protect the analyzer.

NOTE The functions of the KS, command are identical to the ML command ([page 301](#)).

KS= Marker Counter Resolution

Syntax



NOTE The marker counter can be specified in time units when operating in the time domain.

Description

Specifies the resolution of the marker frequency counter.

NOTE The functions of the KS= command are identical to the MKFCR command ([page 281](#)).

NOTE On PSA analyzers, setting the marker frequency resolution will cause the Gate Time to change. The Gate Time is calculated using the following formula:

$$\text{Gate Time} = \frac{1}{\text{Resolution Value}}$$

For restrictions on the Gate Time, refer to the *PSA User's and Programmer's Reference Guide*.

NOTE This command is only supported in the 8568 remote language. The same KS= command has a different function (selects the factory preselector setting) in the 8566 language, and is not supported.

KSA Amplitude in dBm

Syntax



Description

The KSA command sets the amplitude readout (reference level, marker, display line and threshold) to dBm units.

NOTE

The functions of the KSA command are identical to the AUNITS DBM command ([page 127](#)).

KSa Normal Detection

Syntax

```
KSa → ;
```

Description

The KSa command selects normal input detection. That is, it enables the *rosenfell* detection algorithm that selectively chooses between positive and negative values.

NOTE Normal detection is only possible in PSA series analyzers. The KSa command will default to positive peak detection (KSb) ([page 210](#)) when executed on an ESA analyzer.

NOTE The functions of the KSa command are identical to the DET NRM command ([page 165](#)).

KSB Amplitude in dBmV

Syntax



Description

The KSB command sets the amplitude readout (reference level, marker, display line and threshold) to dBmV units.

NOTE

The functions of the KSB command are identical to the AUNITS DBMV command ([page 127](#)).

KSb Positive Peak Detection

Syntax

```
KSb → ;
```

Description

The KSb command enables positive peak input detection for displaying trace information. Trace elements are only updated when the detected signal level is greater than the previous signal level.

NOTE

The functions of the KSb command are identical to the DET POS command ([page 165](#)).

KSC Amplitude in dBuV

Syntax



Description

The KSC command sets the amplitude readout (reference level, marker, display line and threshold) to dBuV units.

NOTE

The functions of the KSC command are identical to the AUNITS DBUV command ([page 127](#)).

KSc A Plus B to A

Syntax



Description

The KSc command does a point-by-point addition of Trace A and Trace B, and sends the results to Trace A. Thus, if your input signal remains unchanged, KSc can restore the original trace after an AMB or a C2 command has been executed.

NOTE

The functions of the command KSc are identical to the APB command ([page 124](#)).

KSD Amplitude in Volts

Syntax



Description

The KSD command sets the amplitude readout (reference level, marker, display line and threshold) to voltage units.

NOTE

The functions of the KSD command are identical to the AUNITS V command ([page 127](#)).

KSd Negative Peak Detection

Syntax



Description

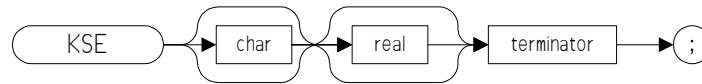
The KSd command selects negative-peak input detection for displaying trace information. Each trace element is updated with the minimum value detected during the sweep.

NOTE

The functions of the command KSd are identical to the DET NEG command ([page 165](#)).

KSE Title Mode

Syntax



Description

The KSE command activates the title mode, writing a message to the top line of the display.

NOTE

The only characters that Option 266 will accept as a terminator are the '@' character and the carriage return.

KSe Sample Detection

Syntax



Description

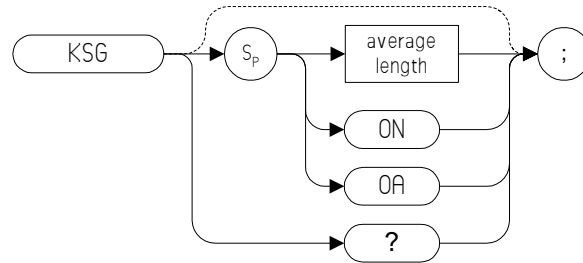
The KSe command selects sample input detection for displaying trace information.

NOTE

The functions of the command KSe are identical to the DET SMP command ([page 165](#)).

KSG Video Averaging On

Syntax



Description

The KSG command enables video averaging. The averaged trace is displayed in Trace A.

If video averaging is off when either KSG? or KSG OA is sent to the instrument, video averaging is turned on and the current average count is returned to the controller.

NOTE

The functions of the KSG command are identical to the VAVG ON command ([page 396](#)).

K_{Sg} Display Off

Syntax



Description

The K_{Sg} command turns the analyzer's display Off.

NOTE

On the legacy spectrum analyzers, this command turned the CRT beam power off to avoid unnecessary wear on the CRT. Although this command is supported, displays used on the ESA Series and the PSA Series analyzers have a much longer life than the CRTs used in the legacy spectrum analyzers.

KSH Video Averaging Off

Syntax



Description

The KSH command switches video averaging Off.

NOTE

The functions of the KSH command are identical to the VAVG OFF command ([page 396](#)).

KSh Display On

Syntax



Description

The KSh command turns the analyzer's display On.

NOTE

On the early models of spectrum analyzers, CRT beam power was often switched Off to prevent wear of the CRT. This command (KSh) was used to turn the CRT beam power on again. Although this command is supported, displays used on the ESA Series and PSA Series analyzers have a much longer life than the CRTs used in the legacy spectrum analyzers.

KSi Exchange Trace B and Trace C

Syntax

KS*i* → ;

Description

The KSi command exchanges Trace B data with Trace C data.

NOTE

Trace C cannot be an active trace. This means that the data in Trace C cannot be updated as the analyzer sweeps. To ensure that the current settings of the analyzer are reflected in the data exchanged between Trace B and Trace C, you must follow the four step process below.

- Select single sweep mode (S2 ([page 345](#)) or SINGLS command ([page 356](#)))
- Select the desired analyzer settings
- Take one complete sweep using the TS command ([page 395](#))
- Exchange the data

NOTE

The functions of the command KSi are identical to the BXC command ([page 141](#)) and the XCH TRB,TRC command ([page 404](#)).

KSj View Trace C

Syntax

```
graph LR; A(KSj) --> B(;) ;
```

Description

The KSj command displays Trace C.

NOTE

The functions of the command KSj are identical to the VIEW TRC command ([page 402](#)).

KSK Marker to Next Peak

Syntax



Description

If there is a marker on the screen, the KSK command moves this marker to the next signal peak of lower amplitude.

NOTE

The functions of the KSK command are similar to the MKPK NH command ([page 288](#)), except that KSK does not take into account the marker peak threshold value or the marker peak excursion value. For more details on marker peak threshold, see the MKPT command ([page 289](#)) and the TH command ([page 384](#)). For more details on marker peak excursion, see the MKPX command ([page 290](#)).

KSk Blank Trace C

Syntax

```
graph LR; A(KSk) --> B(;) ;
```

Description

The KSk command blanks Trace C.

NOTE

The functions of the command KSk are identical to the BLANK TRC command ([page 138](#))

KSL Marker Noise Off

Syntax

KSL → ;

Description

The KSL command disables the noise density function which displays the RMS noise density at the marker. KSL does not blank the marker.

NOTE

The functions of the KSL command are identical to the MKNOISE OFF command ([page 284](#)).

KSI Transfer Trace B to Trace C

Syntax



Description

The KSI command transfers Trace B data to Trace C

NOTE

Trace C cannot be an active trace. This means that the data in Trace C cannot be updated as the analyzer sweeps. To ensure that the current settings of the analyzer are reflected in the data transferred from Trace B to Trace C, you must follow the four step process below.

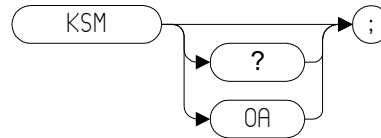
- Select single sweep mode (S2 ([page 345](#)) or SNGLS command ([page 356](#)))
- Select the desired analyzer settings
- Take one complete sweep using the TS command ([page 395](#))
- Transfer the data

NOTE

The functions of the command KSI are identical to the BTC command ([page 140](#)).

KSM Marker Noise On

Syntax



Description

The KSM command displays the noise density at the marker. The noise density is normalized to a 1Hz bandwidth.

NOTE The functions of the KSM command are identical to the MKNOISE ON command ([page 284](#)).

NOTE Some differences in marker noise may be seen between the legacy analyzers and the PSA Series analyzers due to the greater dynamic range of the PSA Series.

NOTE *All legacy analyzer languages:* If either the M3 command or the MKD command is executed with the marker noise function active (MKNOISE ON or KSM), the marker amplitude displayed and returned by the MKA? command ([page 273](#)) or the MA command ([page 263](#)) is the difference between the noise densities at the reference marker and at the delta marker position.

8566, 8568 and 8590 Series only: If either the M3 command or the MKD command is executed before marker noise has been activated (using the MKNOISE ON or KSM commands), the marker noise amplitude that is displayed on the screen is the difference between the carrier wave power and the noise density at the delta marker position. Regardless of the order in which Marker Noise and Delta Marker are activated, the marker amplitude displayed and returned by the MKA? command ([page 273](#)) or the MA command ([page 263](#)) is the difference between the noise densities at the reference marker and at the delta marker. That is, the value returned by MKA? and MA does not always agree with that displayed on the screen of the ESA Series or PSA Series analyzer. These returned values will only be correct as long as there has been no change in either the delta marker state or the marker noise state from the front panel.

8560 Series only: If either the M3 command or the MKD command is executed before marker noise has been activated (using the

Programming Commands

KSM Marker Noise On

MKNOISE ON or KSM commands), the marker noise amplitude that is displayed on the screen is the difference between the carrier wave power and the noise density at the delta marker position. The value returned by the MKA? or MA command is the difference between the carrier wave power and the noise density at the delta marker position. That is, the value returned by MKA? and MA will agree with that displayed on the screen of the ESA Series or PSA Series analyzer.

NOTE

The nominal noise bandwidth to RBW ratio for the RBW filters used in the ESA series analyzers is 1.128 for RBWs of 1 kHz and higher, and 1.055 for RBWs of less than 1 kHz. The nominal ratio for PSA analyzers is 1.055 for all RBWs. The nominal ratio for the 8566 family of analyzers is 1.128 for RBWs 100 kHz and higher, and 1.114 for RBWs of 30kHz and lower.

KSm Graticule Off

Syntax



Description

The KSm command blanks the graticule on the analyzer display.

NOTE

The functions of the command KSm are identical to the GRAT OFF command ([page 196](#)).

KSN Marker Minimum

Syntax



Description

The KSN command moves the marker to the minimum value detected.

NOTE

The functions of the KSN command are identical to the MKMIN command ([page 282](#)).

KSn Graticule On

Syntax



Description

The KSn command turns on the graticule on the analyzer display.

NOTE

The functions of the command KSn are identical to the GRAT ON command ([page 196](#)).

KSO Marker Span

Syntax



Description

The KSO command operates only when the delta marker is On (see MKD [\(page 277\)](#) or M3 [\(page 260\)](#)). When the delta marker is on and the KSO command is executed, the left marker specifies the start frequency, and the right marker specifies the stop frequency. If the delta marker is off, the command does nothing.

NOTE If the active marker is not a delta marker, there is no change in its position.

NOTE The functions of the KSO command are identical to the MKSP command [\(page 294\)](#).

KSo Annotation Off

Syntax



Description

The KSo command blanks the annotation on the analyzer display.

NOTE

The functions of the command KSo are identical to the ANNOT OFF command ([page 123](#)).

KSp Annotation On

Syntax



Description

The KSp command activates the annotation on the analyzer display.

NOTE

The functions of the command KSp are identical to the ANNOT ON command ([page 123](#)).

KST Fast Preset

Syntax



Description

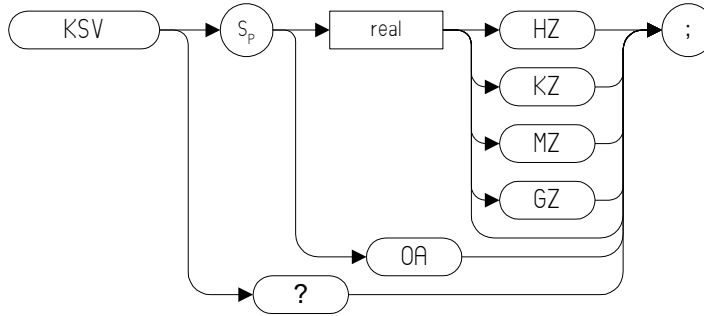
Performs an instrument preset, setting the analyzer back to its factory settings.

NOTE

There is no fast preset for ESA and PSA series analyzers. Instead, the Code Compatibility software performs an instrument preset (IP) when the KST command is issued. The functions of the command KST are therefore identical to the IP command ([page 204](#)).

KSV Frequency Offset

Syntax



Description

The KSV command allows you to specify a value that offsets the frequency scale for all absolute frequency readouts, for example, center frequency. Relative values, for example, span and delta marker, are not offset.

NOTE

The functions of the KSV command are identical to the FOFFSET command ([page 184](#)).

KSx External Trigger

Syntax



Description

The KSx command activates the normal external trigger mode. When the KSx command is executed, the RF input signal is only displayed when the external trigger level exceeds the trigger threshold level.

NOTE

If an 8566A/B or an 8568A/B analyzer is in zero span and the sweep time is less than 20 msec, the display only gets refreshed when a fresh trace has been taken. This can cause the displayed trace to flicker.

Equally, if any of the 8560-E Series of analyzers, that is the 8560E, 8561E, 8563E, 8564E and the 8565E, are in zero span and with a sweep time of less than 50 msec, and they do not have Option 007 - Fast Digitized Time Domain installed, the display only gets refreshed when a fresh trace has been taken. This can cause the displayed trace to flicker.

In Option 266, all traces are displayed continuously, so all traces are therefore free of flicker.

NOTE

The functions of the command KSx are identical to the TM EXT command ([page 387](#)).

KSy Video Trigger

Syntax



Description

The KSy command activates the normal video trigger mode. When the KSy command is executed, the RF input signal is only displayed when the video trigger signal, which is internally triggered off the input signal, exceeds the trigger threshold level.

NOTE

If an 8566A/B or an 8568A/B analyzer is in zero span and the sweep time is less than 20 msec, the display only gets refreshed when a fresh trace has been taken. This can cause the displayed trace to flicker.

Equally, if any of the 8560-E Series of analyzers, that is the 8560E, 8561E, 8563E, 8564E and the 8565E, are in zero span and with a sweep time of less than 50 msec, and they do not have Option 007 - Fast Digitized Time Domain installed, the display only gets refreshed when a fresh trace has been taken. This can cause the displayed trace to flicker.

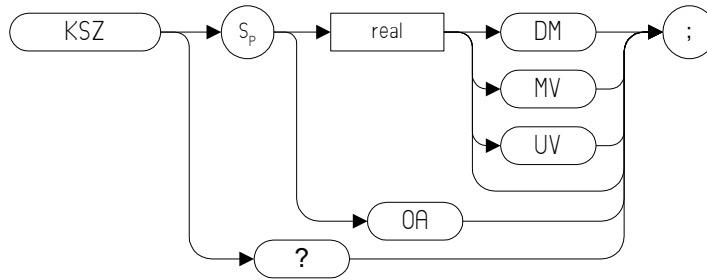
In Option 266, all traces are displayed continuously, so all traces are therefore free of flicker.

NOTE

The functions of the command KSy are identical to the TM VID command ([page 387](#)) and to the T4 command ([page 380](#)).

KSZ Reference Level Offset

Syntax



Description

The KSZ command offsets all amplitude readouts on the display but without affecting the trace.

Once activated, the KSZ command displays the amplitude offset on the left side of the screen.

Entering KSZ 0 or presetting the spectrum analyzer eliminates an amplitude offset.

NOTE

The functions of the KSZ command are identical to the ROFFSET command ([page 342](#)).

L0 [*zero*] Display Line Off

Syntax



Description

The L0 [*zero*] command disables the display line.

NOTE

The functions of the L0 [*zero*] command are identical to the DLE OFF command ([page 169](#)).

LF Low Frequency Preset

Syntax



Description

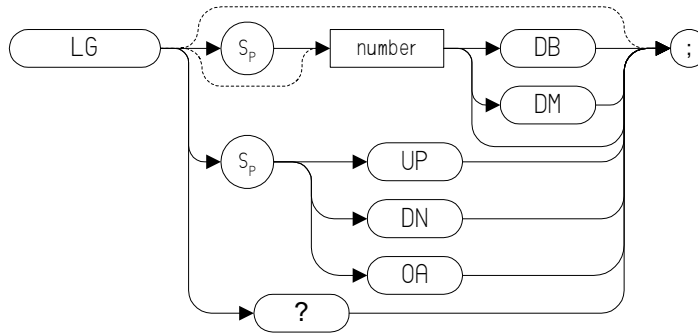
Performs a low frequency preset. That is, it selects a Start Frequency of 0 Hz and a Stop Frequency of 2.5 GHz, a Reference Level of 0dBm, and sets all coupled functions to automatic.

NOTE

If you are using an E4401B or E4411B analyzer, the Stop Frequency will be clipped to the limits of the analyzer, that is 1.5 GHz.

LG Logarithmic Scale

Syntax



Description

Specifies the amplitude (vertical graticule divisions) as logarithmic units, without changing the reference level. The integer ranges vary between the different remote languages. The following table lists the ranges for each remote language.

Table 4-17

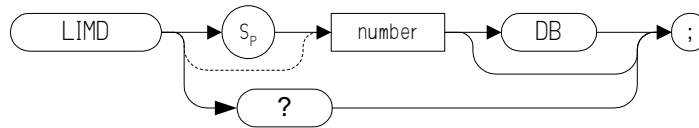
Remote Language	Integer Range using the LG Command
8560E/EC	1, 2, 5, and 10
8561E/EC	1, 2, 5, and 10
8562E/EC	1, 2, 5, and 10
8563E/EC	1, 2, 5, and 10
8564E/EC	1, 2, 5, and 10
8565E/EC	1, 2, 5, and 10
8566A	1, 2, 5, and 10
8566B	1, 2, 5, and 10
8568A	1, 2, 5, and 10
8568B	1, 2, 5, and 10
8590L	0.1 dB to 20.0 dB
8591E	0.1 dB to 20.0 dB
8592L	0.1 dB to 20.0 dB

Table 4-17

Remote Language	Integer Range using the LG Command
8593E	0.1 dB to 20.0 dB
8594E	0.1 dB to 20.0 dB
8594L	0.1 dB to 20.0 dB
8595E	0.1 dB to 20.0 dB
8596E	0.1 dB to 20.0 dB

LIMD Limit Line Delta Value

Syntax



Description

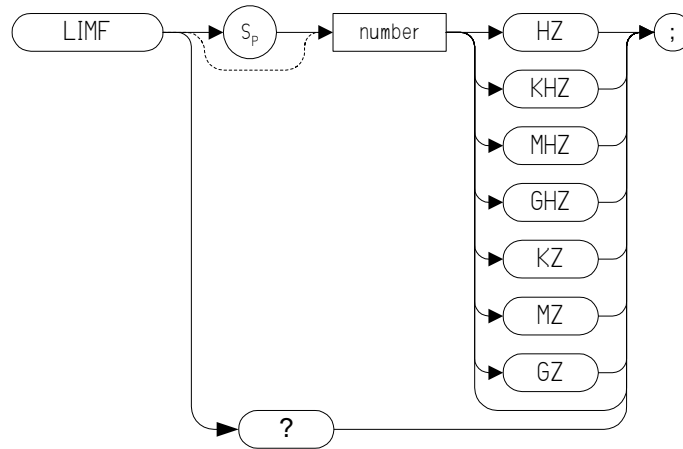
The LIMD command is used to enter the delta value for the amplitude of a limit line segment.

NOTE

The response to the query command LIMD? is the delta value for the segment currently selected with the SEDI command ([page 350](#)).

LIMF Limit Line Frequency Value

Syntax



Description

The LIMF command is used to enter a frequency value for a limit-line segment.

NOTE

The response to the query command LIMF? is the delta value for the segment currently selected with the SEDI command ([page 350](#)).

LIMIDEL Delete Limit Line Table

Syntax



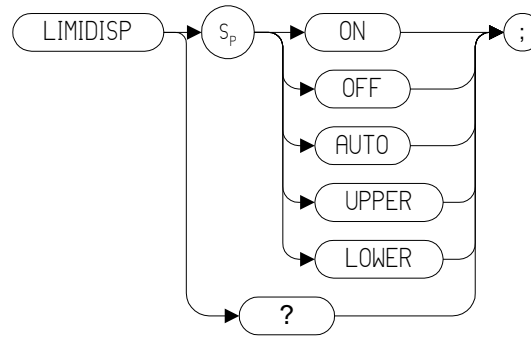
```
LIMIDEL ;
```

Description

The LIMIDEL command deletes all upper and lower segments in the current limit-line table.

LIMIDISP Limit Line Display

Syntax

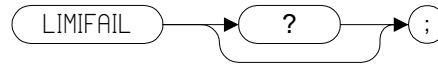


Description

Controls the display of the limit line (or limit lines).

LIMIFAIL Limits Failed

Syntax



Description

The LIMIFAIL command returns a number between 0 and 3 which specifies whether the active trace passed or failed the upper and lower limit line tests. The meanings of the returned numbers are shown below.

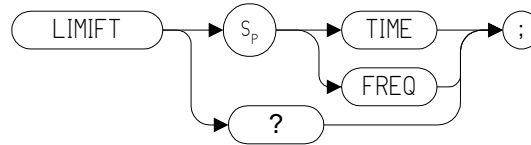
Table 4-18

Results of the LIMIFAIL Command

Result	Meaning
0	The active trace passed both the upper and the lower limit tests.
1	The active trace failed the lower limit test.
2	The active trace failed the upper limit test.
3	The active trace failed both the upper and the lower limit tests.

LIMIFT Select Frequency or Time Limit Line

Syntax



Description

The LIMIFT command determines how the limit-line segments are defined. They can be defined according to frequency, or according to the sweep time setting of the spectrum analyzer.

LIMIPURGE Delete Current Limit Line

Syntax



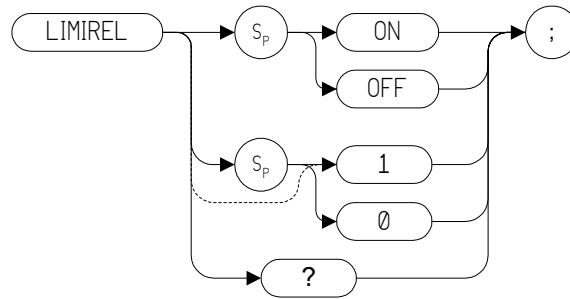
LIMIPURGE → ;

Description

The LIMIPURGE command deletes the current limit line.

LIMIREL Relative Limit Lines

Syntax

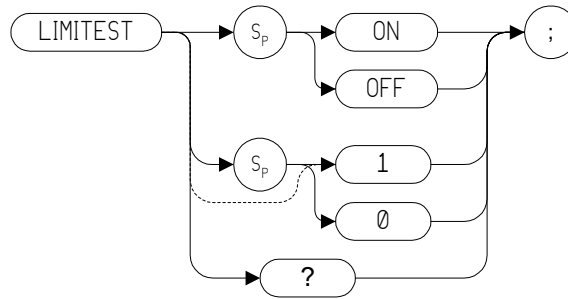


Description

Specifies whether the current limit lines are fixed or relative.

LIMITEST Enable Limit Line Testing

Syntax

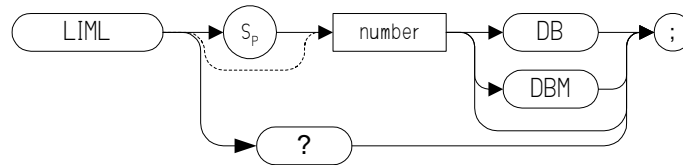


Description

The LIMITEST command compares trace A with the current limit line data.

LIML Lower-Limit Amplitude

Syntax

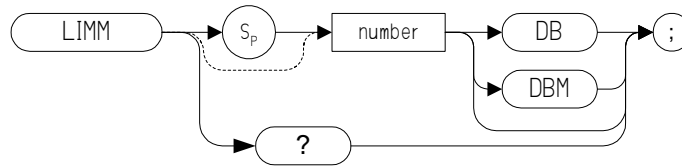


Description

The LIML command is used within the SEDI command ([page 350](#)) to assign the lower-limit amplitude value to a limit-line segment.

LIMM Limit Middle-Amplitude

Syntax

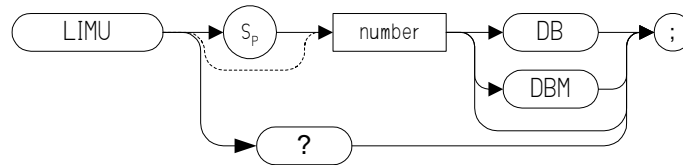


Description

The LIMM command is used within the SEDI command ([page 350](#)) to assign the middle amplitude value to a limit-line segment.

LIMU Upper-Limit Amplitude

Syntax



Description

The LIMU command is used within the SEDI command ([page 350](#)) to assign the upper-limit amplitude value to a limit-line segment.

LN Linear Scale

Syntax



Description

Scales the amplitude (vertical graticule divisions) proportional to the input voltage, without changing the reference level. The bottom line of the graticule represents 0 volts.

LSPAN Previous Span

Syntax



Description

The LSPAN command changes the spectrum analyzer's span to the previous span setting.

M1 *[one]* Marker Off

Syntax



Description

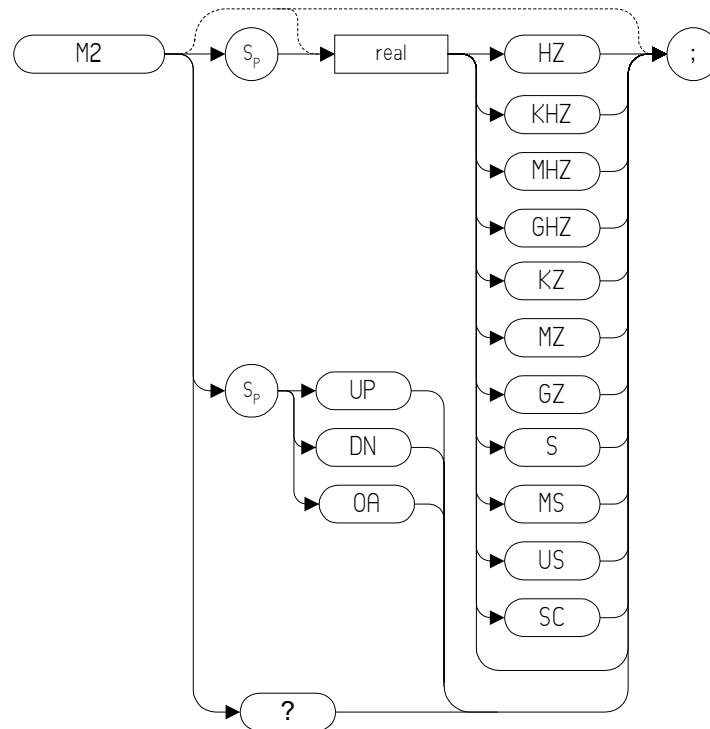
The M1 *[one]* command blanks any markers showing on the display.

NOTE

The functions of the M1 *[one]* command are identical to the MKOFF ALL command ([page 286](#)).

M2 [two] Marker Normal

Syntax



Description

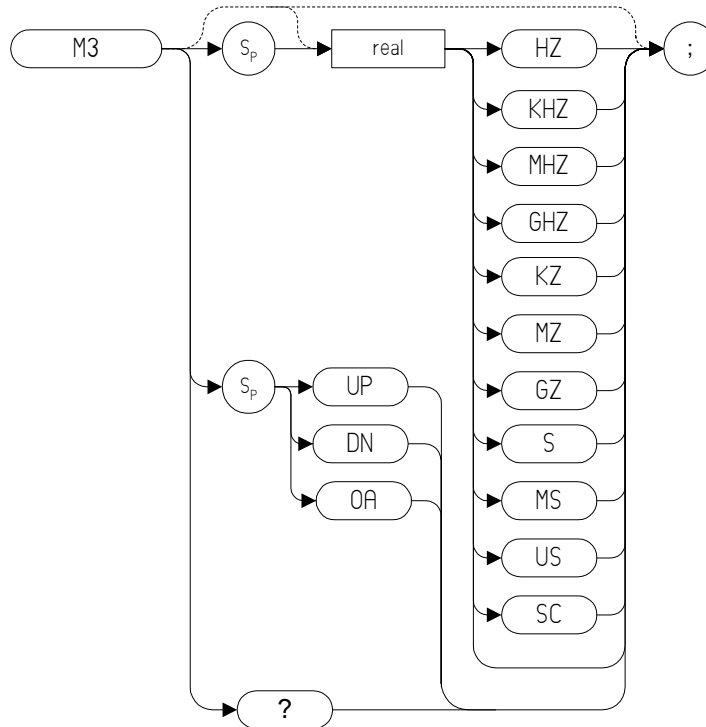
The M2 [two] command moves the active marker to the marker frequency. If the active marker type is not currently normal (for example, it is delta or peak), the M2 command will change it to a normal marker.

NOTE The functions of the M2 command are identical to the MKN command (page 283).

NOTE Model numbers 8566, 8588, and the 8590 Series only: If the active marker has not been declared with MKACTION, a normal marker is turned on and this active marker is assumed to be marker number 1 [one].

M3 [*three*] Delta Marker

Syntax



Description

The M3 [*three*] command computes the frequency and amplitude difference between the active marker and the delta (or difference) marker.

If a delta marker is not displayed on the screen, the M3 command places one at the specified frequency or on the right hand edge of the display. If an active marker is not displayed on the screen, the M3 command places an active marker at the center of the screen.

NOTE

The active marker is the number 1 marker unless otherwise specified by the MKACT command ([page 274](#)).

NOTE

All legacy analyzer languages: If the M3 command is executed with the marker noise function active (MKNOISE ON or KSM), the marker amplitude displayed and returned by the MKA? command (page 273) or the MA command (page 263) is the difference between the noise densities at the reference marker and at the delta marker position.

8566, 8568 and 8590 Series only: If the M3 command is executed before marker noise has been activated (using the MKNOISE ON or KSM commands), the marker noise amplitude that is displayed on the screen is the difference between the carrier wave power and the noise density at the delta marker position. Regardless of the order in which Marker Noise and Delta Marker are activated, the marker amplitude displayed and returned by the MKA? command (page 273) or the MA command (page 263) is the difference between the noise densities at the reference marker and at the delta marker. That is, the value returned by MKA? and MA does not always agree with that displayed on the screen of the ESA Series or PSA Series analyzer. These returned values will only be correct as long as there has been no change in either the delta marker state or the marker noise state from the front panel.

8560 Series only: If the M3 command is executed before marker noise has been activated (using the MKNOISE ON or KSM commands), the marker noise amplitude that is displayed on the screen is the difference between the carrier wave power and the noise density at the delta marker position. The value returned by the MKA? or MA command is the difference between the carrier wave power and the noise density at the delta marker position. That is, the value returned by MKA? and MA will agree with that displayed on the screen of the ESA Series or PSA Series analyzer.

NOTE

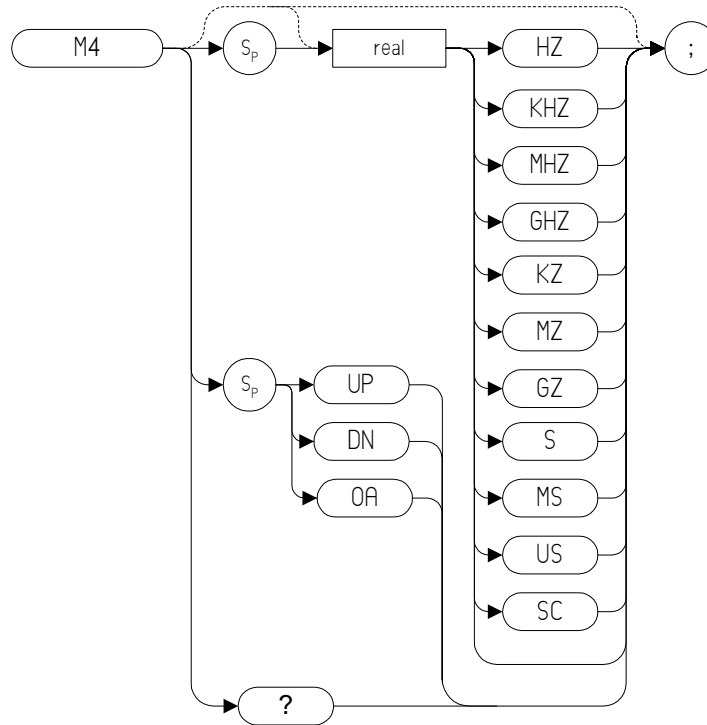
The nominal noise bandwidth to RBW ratio for the RBW filters used in the ESA series analyzers is 1.128 for RBWs of 1 kHz and higher, and 1.055 for RBWs of less than 1 kHz. The nominal ratio for PSA analyzers is 1.055 for all RBWs. The nominal ratio for the 8566 family of analyzers is 1.128 for RBWs 100 kHz and higher, and 1.114 for RBWs of 30kHz and lower.

NOTE

The functions of the M3 command are identical to the MKD command (page 277).

M4 [four] Marker Zoom

Syntax



Description

The M4 [four] command, when specifying either the UP or DN parameter, increases or decreases the frequency span by one step. When specifying a numeric value, the M4 command moves the markers horizontal (X) position to the specified position in frequency or time.

NOTE

The OA option only returns the current value to the controller; it does not set the active function to the active marker.

MA Marker Amplitude Output

Syntax



Description

The MA command returns the amplitude level of the active marker if the marker is on the screen. If both the active marker and the delta marker are displayed, the MA command returns the amplitude difference between the two markers.

NOTE The format of the returned data when using the MKA command is dependent on the currently set trace data format (refer to TDF, MDS, O1, O2, O3, or O4) when the selected remote language is either 8566 or 8590. When the selected remote language is 8560, the marker amplitude is always returned as an ASCII value (TDF P).

NOTE The functions of the MA command are identical to the MKA command ([page 273](#)).

MC0 [zero] Marker Frequency Counter Off

Syntax



Description

The MC0 [zero] command turns the marker frequency counter off.

NOTE

The functions of the MC0 [zero] command are identical to the MKFC OFF command ([page 280](#)).

MC1 *[one]* Marker Frequency Counter On

Syntax



Description

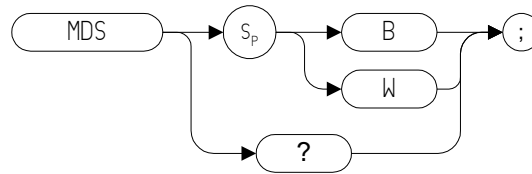
The MC1 *[one]* command turns the marker frequency counter on.

NOTE

The functions of the MC1 *[one]* command are identical to the MKFC ON command ([page 280](#)).

MDS Measurement Data Size

Syntax



Description

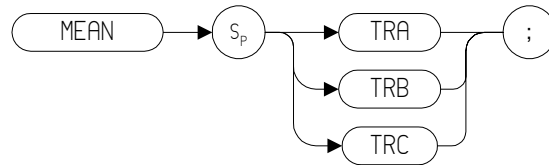
The MDS command formats binary data in one of the following formats:

- B** selects a data size of one 8-bit byte.
- W** selects a data size of one word, which is two 8-bit bytes.

If no keyword is specified in the command, the default value of W is assumed.

MEAN Trace Mean

Syntax



Description

Returns the mean value of the specified trace in display units.

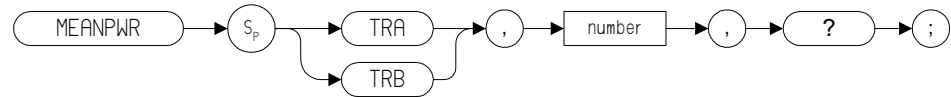
NOTE

TRA corresponds to Trace 1, TRB corresponds to Trace 2, and TRC corresponds to Trace 3.

MEANPWR

Mean Power measurement

Syntax



Description

The MEANPWR command measures the average power of the carrier during that portion of the time when it is on. The on state is defined as the time when the signal is within a selected number of dB of its peak level. The range of amplitudes that is defined as the on state can be set with the command. The amplitude range is set relative to the peak value of the signal.

NOTE

The MEANPWR command is similar to the CARRON command (page 146), except that the CARRON command defines 'on' as that time when the signal is within 20dB of its peak level.

MEASOFF Measurement Off

Syntax

MEASOFF → ;

Description

Turns the current measurement off if the current measurement is ACP (page 99) or CHP (page 150).

NOTE

If ACPPAR (page 111) is set to automatic, the MEASOFF command returns the following settings back to their pre-measurement states:

- Frequency span
- Resolution bandwidth
- Video bandwidth
- Center frequency step size
- Sweep time
- Detector mode
- Amplitude scale

It does not do any of the following:

- Change the values of ACPSP or ACPBW
 - Restore trace elements
 - Restore trigger mode
 - Restore Amplitude units
 - Restore any trace math functions
-

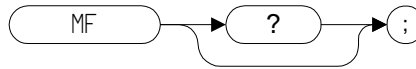
MF Marker Frequency Output

Syntax

8566 and 8568 Remote Language



8560 Series and 8590 Series Remote Language



Description

Returns the frequency (or time) of the on-screen active marker. If both an active marker and the delta marker are on the screen, the frequency difference is returned.

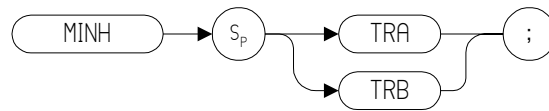
NOTE

8566 and 8568 only: If the active marker has marker frequency count set to *On* when using the MF? command, the marker frequency count value is returned to the controller.

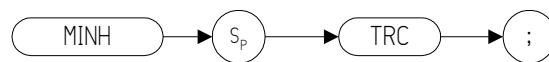
MINH Minimum Hold

Syntax

8560 Series Remote Language



8590 Series Remote Language

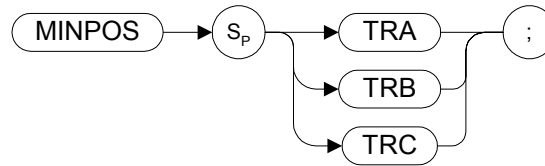


Description

The MINH command updates the chosen trace with the minimum signal level detected at each trace-data point from subsequent sweeps.

MINPOS Minimum X Position

Syntax



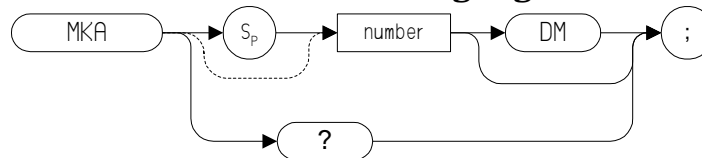
Description

The MINPOS command returns the *X* co-ordinate value that corresponds to the minimum amplitude of the specified trace.

MKA Marker Amplitude

Syntax

8566 and 8568 Remote Language



8560 Series and 8590 Series Remote Language



Description

8566 and 8568: Specifies the amplitude of the active marker in dBm when the active marker is the fixed or amplitude type (refer to the MKTYPE command).

8560 and 8590: Returns the amplitude of the active marker. For further details, refer to the MA command.

NOTE The format of the returned data when using the MKA command is dependent on the currently set trace data format (refer to TDF, MDS, O1, O2, O3, or O4) when the selected remote language is either 8566 or 8590. When the selected remote language is 8560, the marker amplitude is always returned as an ASCII value (TDF P).

NOTE The functions of the MKA command are identical to the MA command (page 263).

NOTE In the 8566, 8568, and in the 8590 Series analyzers, the MKA command can be used with a numeric argument that places the marker at the specified amplitude on the screen. For the 8566 and 8568, the MKA command will only accept a value in PSA Series analyzers with firmware Rev. A.08.08 or later. In Option 266 Programming Code Compatibility, MKA is a query only command. That is, the command will not accept arguments of any type, and can only be used in the form MKA?.

MKACT Activate Marker

Syntax

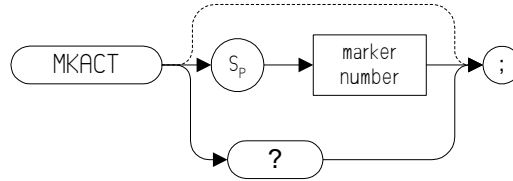


Table 4-19

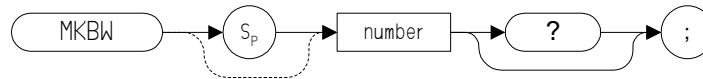
Item	Description/Default	Range
Marker Number	Any valid integer. Default value is 1.	1 to 4

Description

MKACT specifies the active marker. There can be four different markers, but only one marker can be active at any time.

MKBW Marker Bandwidth

Syntax



Description

Returns the bandwidth at the specified power level relative to an on-screen marker (if present) or the signal peak (if no on-screen marker is present).

MKCF Marker to Center Frequency

Syntax

```
MKCF → ;
```

Description

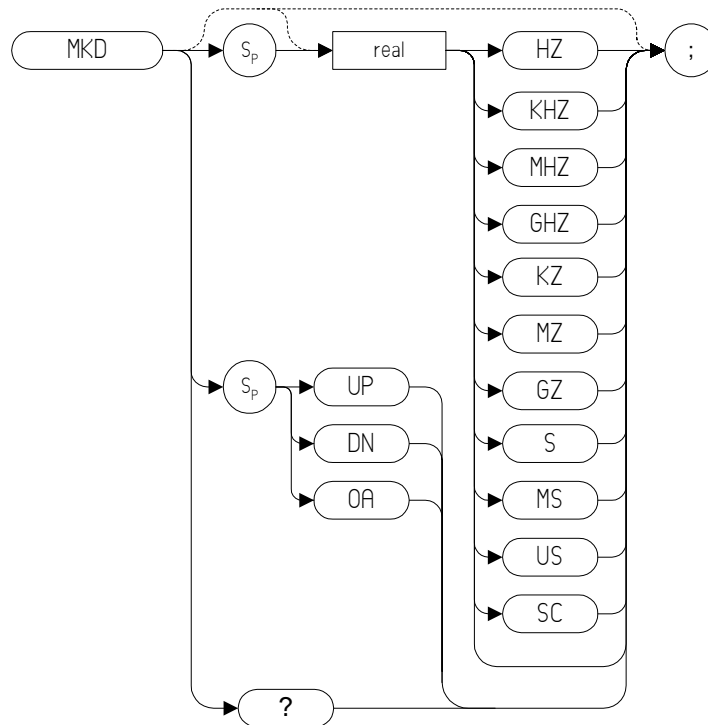
Sets the center frequency equal to the marker frequency and moves the marker to the center of the screen.

NOTE

The functions of the MKCF command are identical to the E2 command ([page 173](#)).

MKD Marker Delta

Syntax



Step Increment: by 1/10 of the frequency span

Description

The MKD command computes the frequency and amplitude difference of the active marker and the delta marker. These values are displayed in the screen.

If a delta marker is not displayed on the screen, the MKD command places one at the specified frequency or on the right hand edge of the display. If an active marker is not displayed on the screen, the MKD command places an active marker at the center of the screen.

NOTE

The active marker is the number 1 marker unless otherwise specified by the MKACTION command ([page 274](#)).

NOTE

All legacy analyzer languages: If the MKD command is executed with the marker noise function active (MKNOISE ON or KSM), the marker amplitude displayed and returned by the MKA? command (page 273) or the MA command (page 263) is the difference between the noise densities at the reference marker and at the delta marker position.

8566, 8568 and 8590 Series only: If the MKD command is executed before marker noise has been activated (using the MKNOISE ON or KSM commands), the marker noise amplitude that is displayed on the screen is the difference between the carrier wave power and the noise density at the delta marker position. Regardless of the order in which Marker Noise and Delta Marker are activated, the marker amplitude displayed and returned by the MKA? command (page 273) or the MA command (page 263) is the difference between the noise densities at the reference marker and at the delta marker. That is, the value returned by MKA? and MA does not always agree with that displayed on the screen of the ESA Series or PSA Series analyzer. These returned values will only be correct as long as there has been no change in either the delta marker state or the marker noise state from the front panel.

8560 Series only: If the MKD command is executed before marker noise has been activated (using the MKNOISE ON or KSM commands), the marker noise amplitude that is displayed on the screen is the difference between the carrier wave power and the noise density at the delta marker position. The value returned by the MKA? or MA command is the difference between the carrier wave power and the noise density at the delta marker position. That is, the value returned by MKA? and MA will agree with that displayed on the screen of the ESA Series or PSA Series analyzer.

NOTE

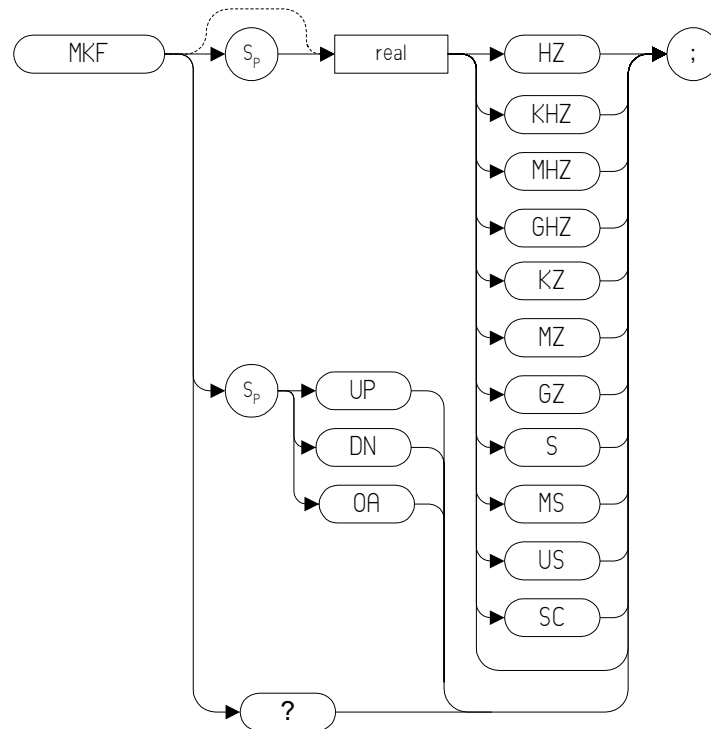
The nominal noise bandwidth to RBW ratio for the RBW filters used in the ESA series analyzers is 1.128 for RBWs of 1 kHz and higher, and 1.055 for RBWs of less than 1 kHz. The nominal ratio for PSA analyzers is 1.055 for all RBWs. The nominal ratio for the 8566 family of analyzers is 1.128 for RBWs 100 kHz and higher, and 1.114 for RBWs of 30kHz and lower.

NOTE

The functions of the MKD command are identical to the M3 command (page 260).

MKF Marker Frequency

Syntax



Description

Specifies the frequency value of the active marker.

NOTE

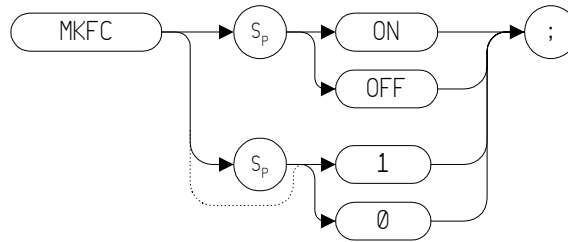
With the 8560 Series languages, the data is always returned in ASCII format.

With all other languages, the format of the returned data is determined by the TDF (Trace Data Format) (page 383) command and, if TDF B (binary data format) has been selected, by the MDS command (page 266).

8566 and 8568 only: If the active marker has marker frequency count set to *On* when using the MKF? command, the marker frequency count value is returned to the controller.

MKFC Marker Counter

Syntax



Description

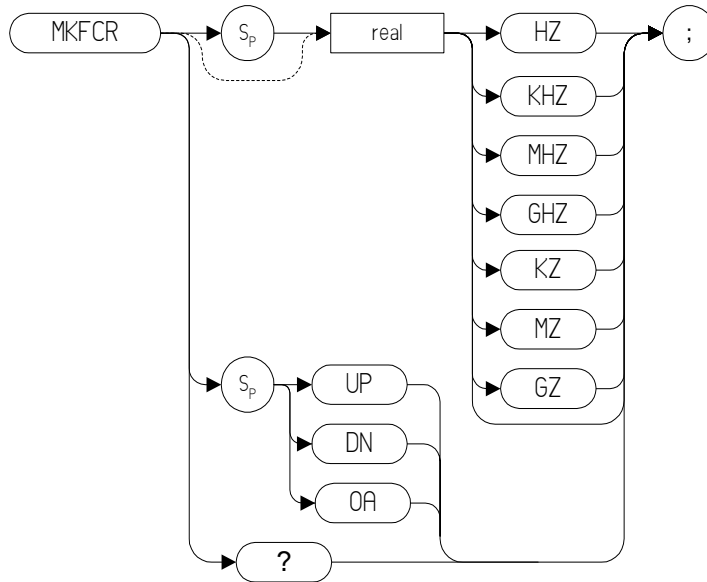
Turns on or off the marker frequency counter. The resolution of the frequency marker counter is determined by the MKFCR command ([page 281](#)).

NOTE

The functions of the MKFC command are identical to the MC0 [*zero*] command ([page 264](#)) and MC1 [*one*] command ([page 265](#)).

MKFCR Marker Counter Resolution

Syntax



NOTE The marker counter can be specified in time units when operating in the time domain

Description

Sets the resolution of the marker frequency counter. The marker counter value is always given either in Hertz or in seconds depending on whether the analyzer is operating in the frequency domain or the time domain.

NOTE On PSA analyzers, setting the marker frequency resolution will cause the Gate Time to change. The Gate Time is calculated using the following formula:

$$\text{Gate Time} = \frac{1}{\text{Resolution Value}}$$

For restrictions on the Gate Time, refer to the *PSA User's and Programmer's Reference Guide*.

NOTE The functions of the MKFCR command are identical to the KS= command ([page 206](#)).

MKMIN Marker Minimum

Syntax



Description

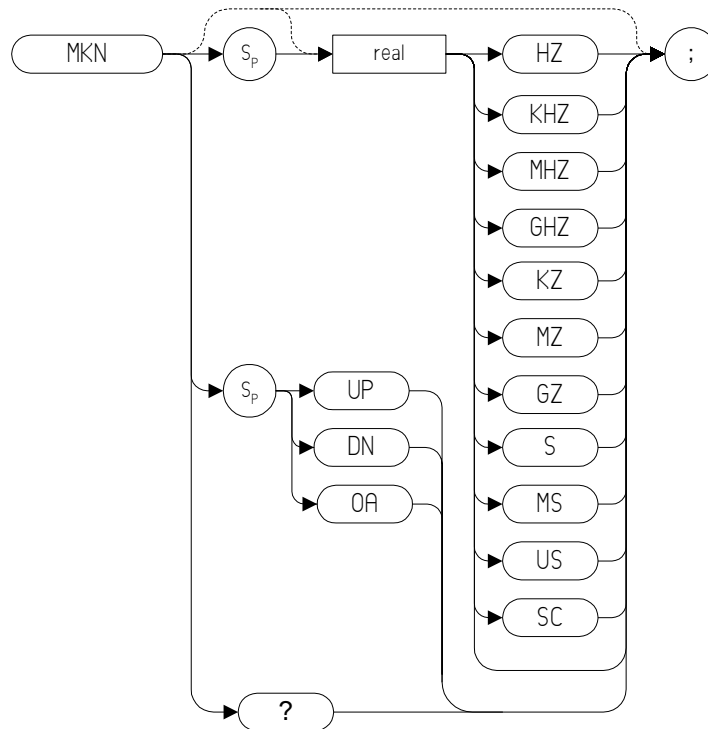
Moves the active marker to the minimum value detected.

NOTE

The functions of the MKMIN command are identical to the KSN command ([page 230](#)).

MKN Marker Normal

Syntax



Step Increment: by 1/10 of the frequency span.

Description

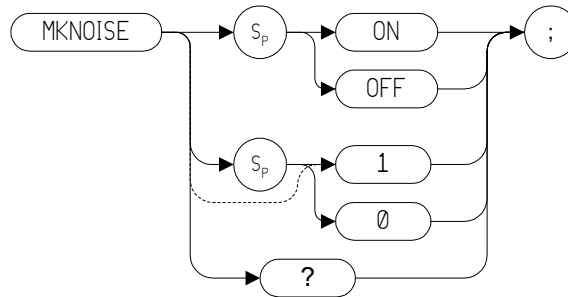
The MKN command moves the active marker to the specified frequency. If the active marker has not been declared with MKACTION, a normal marker is turned on and this active marker is assumed to be 1. If the active marker type is not currently normal (for example, it is delta or peak), the MKN command will change it to a normal marker.

NOTE

The functions of the MKN command are identical to the M2 *[two]* command ([page 259](#)).

MKNOISE Marker Noise

Syntax



Description

Displays the average RMS noise density at the marker.

NOTE The functions of the MKNOISE command are identical to the KSM command ([page 227](#)) and the KSL command ([page 225](#)).

NOTE Some differences in marker noise may be seen between the legacy analyzers and the PSA Series analyzers due to the greater dynamic range of the PSA Series.

NOTE *All legacy analyzer languages:* If either the M3 command or the MKD command is executed with the marker noise function active (MKNOISE ON or KSM), the marker amplitude displayed and returned by the MKA? command ([page 273](#)) or the MA command ([page 263](#)) is the difference between the noise densities at the reference marker and at the delta marker position.

8566, 8568 and 8590 Series only: If either the M3 command or the MKD command is executed before marker noise has been activated (using the MKNOISE ON or KSM commands), the marker noise amplitude that is displayed on the screen is the difference between the carrier wave power and the noise density at the delta marker position. Regardless of the order in which Marker Noise and Delta Marker are activated, the marker amplitude displayed and returned by the MKA? command ([page 273](#)) or the MA command ([page 263](#)) is the difference between the noise densities at the reference marker and at the delta marker. That is, the value returned by MKA? and MA does not always agree with those displayed on the screen of the ESA Series or PSA Series analyzer. These returned values will only be correct as long as there has been no change in either the delta marker state or the marker noise

state from the front panel.

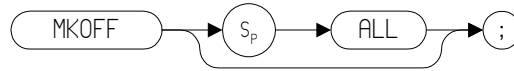
8560 Series only: If either the M3 command or the MKD command is executed before marker noise has been activated (using the MKNOISE ON or KSM commands), the marker noise amplitude that is displayed on the screen is the difference between the carrier wave power and the noise density at the delta marker position. The value returned by the MKA? or MA command is the difference between the carrier wave power and the noise density at the delta marker position. That is, the value returned by MKA? and MA will agree with that displayed on the screen of the ESA Series or PSA Series analyzer.

NOTE

The nominal noise bandwidth to RBW ratio for the RBW filters used in the ESA series analyzers is 1.128 for RBWs of 1 kHz and higher, and 1.055 for RBWs of less than 1 kHz. The nominal ratio for PSA analyzers is 1.055 for all RBWs. The nominal ratio for the 8566 family of analyzers is 1.128 for RBWs 100 kHz and higher, and 1.114 for RBWs of 30kHz and lower.

MKOFF Marker Off

Syntax

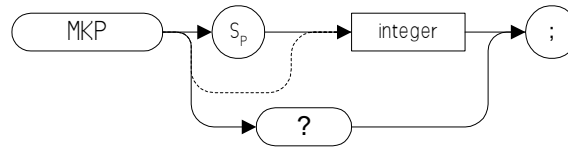


Description

Turns off either the active marker or all the markers. If the ALL parameter is omitted, only the active marker is turned off.

MKP Marker Position

Syntax

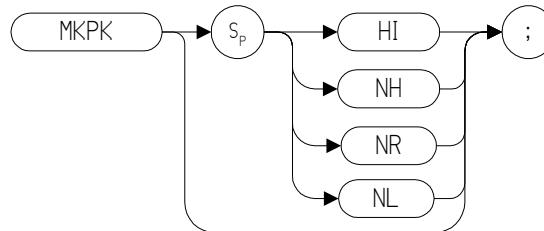


Description

Places the active marker at the specified *X* co-ordinate.

MKPK Marker Peak

Syntax



Description

Executing MKPK HI, or simply MKPK (no secondary keyword), positions the active marker at the highest signal detected. If an active marker is on the screen, the MKPK parameters move the marker as follows:

HI (highest) moves the active marker to the highest peak.

NH (next highest) moves the active marker to the next signal peak of lower amplitude.

NR (next right) moves the active marker to the next signal peak to the right of the current marker.

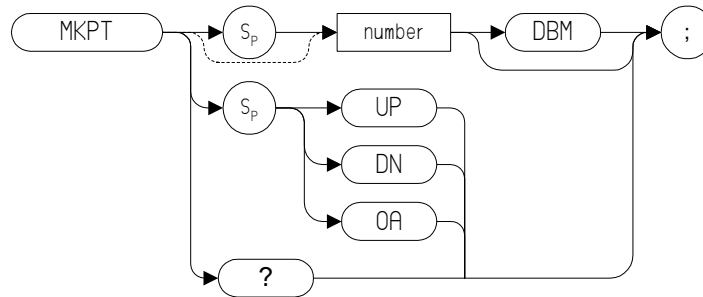
NL (next left) moves the active marker to the next signal peak to the left of the current marker.

NOTE The functions of the MKPK command (no secondary keyword) and the MKPK HI command are identical to the E1 commands: [\(page 172\)](#).

NOTE The functions of the MKPK NH command are similar to the KSK command [\(page 223\)](#), except that KSK does not take in to account the marker peak excursion or marker peak threshold values. For more details on marker peak excursion, see the MKPX command [\(page 290\)](#).

MKPT Marker Threshold

Syntax



Description

The MKPT command sets the minimum amplitude level from which a peak on the trace can be detected.

NOTE

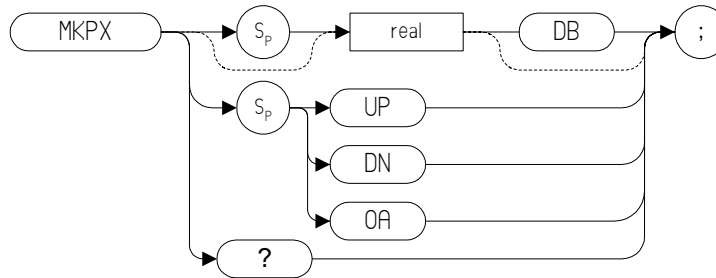
The default values and the range settings on Option 266 Programming Code Compatibility are different than on the legacy analyzers. The following table shows the differences.

Table 4-20 Range Settings and Default Values with the MKPT Command

Remote Language	Default Setting on Original Analyzer	Default Setting on ESA and PSA analyzers	Valid Range on Legacy Analyzer	Valid Range on ESA and PSA analyzers
8560E/EC Series analyzers	-130 dBm	-100 dBm	-200 dBm to 30 dBm	Ref Level to (Ref Level - (10 × Scale per Division))

MKPX Marker Peak Excursion

Syntax



Preset State: 6 dB.

Step Increment: by 1 dB.

Description

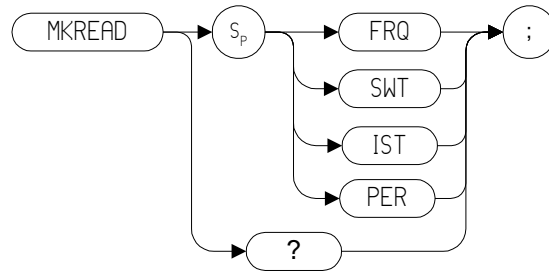
Specifies the minimum signal excursion for the spectrum analyzer's internal peak identification routine.

The default value is 6 dB. In this case, any signal with an excursion of less than 6 dB on either side of the marker would not be identified.

Thus, if an MKPK NH command were to be executed on such a signal, the analyzer would not place a marker on this signal peak.

MKREAD Marker Readout

Syntax



Description

Selects the type of active trace information displayed by the spectrum analyzer marker readout.

The MKREAD command can select the following types of active trace information:

FRQ	frequency
SWT	sweep time
IST	inverse sweep time
PER	period

NOTE The Inverse Sweep Time (IST) readout is only available when using a delta marker in zero span.

The results of the data depend on the MKREAD parameter and the frequency span, and whether the marker delta function is used.

Table 4-21

MKREAD Type	Non-Zero Span	Non-Zero Span Delta	Zero Span	Zero Span Delta
FRQ	Reads frequency	Reads delta frequency	N/A	N/A
SWT	Reads time since the start of sweep	Reads delta time between end points	Waveform measurements of detected modulation	Waveform measurements of detected modulation

Table 4-21

MKREAD Type	Non-Zero Span	Non-Zero Span Delta	Zero Span	Zero Span Delta
IST	N/A	N/A	N/A	Computes frequency corresponding to delta of markers. Performs $1/(T_1 - T_2)$
PER	Period of frequency	(Pulse measurement) delta time	N/A	N/A

NOTE FFT (Fast Fourier Transform) is not available in the Programming Code Compatibility Suite option.

MKRL Marker to Reference Level

Syntax



Description

The MKRL command moves the active marker to the reference level.

NOTE

The functions of the MKRL command are identical to the E4 command ([page 175](#)).

MKSP Marker to Span

Syntax



```
MKSP → ;
```

Description

The MKSP command operates only when the delta marker is On (see MKD ([page 277](#)) or M3 ([page 260](#))). When the delta marker is On and MKSP is executed, the delta marker and active marker determine the start and stop frequencies. The left marker specifies the start frequency, and the right marker specifies the stop frequency. If marker delta is Off, there is no operation.

NOTE If the active marker is not a delta marker, there is no change in its position.

NOTE The functions of the MKSP command are identical to the KSO command ([page 232](#)).

MKSS Marker to Step Size

Syntax



Description

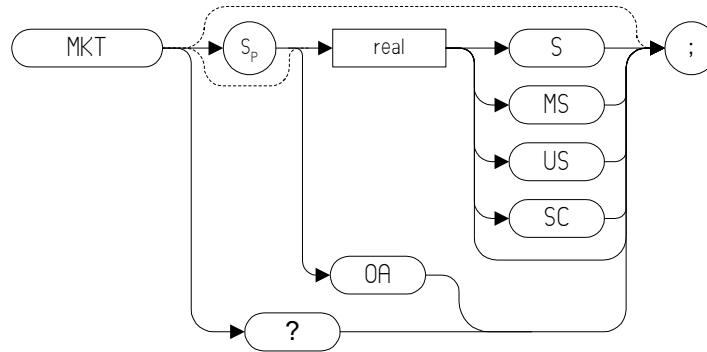
Sets the center-frequency step-size equal to the marker frequency. If the analyzer is in the delta mode, the step size is set to the frequency difference between the active and the delta marker.

NOTE

When the marker is a delta marker, the functions of the MKSS command are identical to the E3 command ([page 174](#)).

MKT Marker Time

Syntax



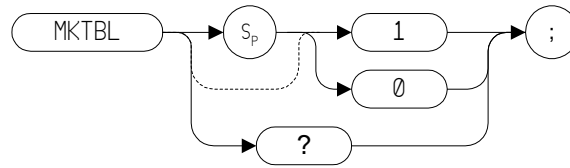
Description

Places a marker at a position that corresponds to a specified point in time during the sweep.

NOTE The default unit of time is seconds ('S' or 'SC').

MKTBL Marker Table

Syntax

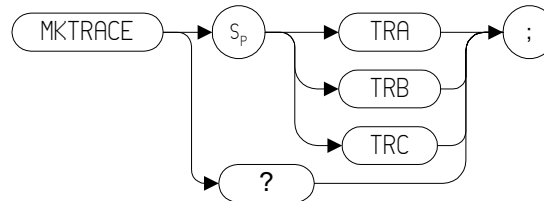


Description

The MKTBL command turns the display of the marker table on or off.

MKTRACE Marker Trace

Syntax



NOTE

TRA corresponds to Trace 1, TRB corresponds to Trace 2, and TRC corresponds to Trace 3.

Description

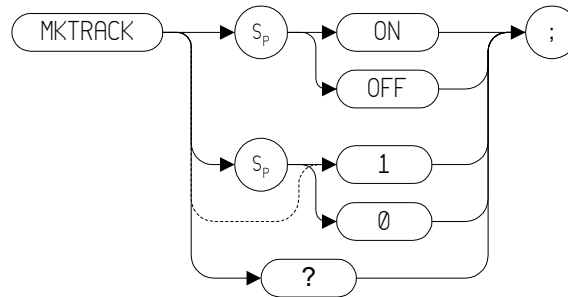
Moves the active marker to the corresponding position in Trace 1, Trace 2, or Trace 3.

NOTE

If the marker is moved to an inactive trace, the marker will move to the bottom of the screen on an ESA series analyzer, and to the top of the screen on a PSA analyzer.

MKTRACK Marker Track

Syntax



Description

Moves the signal on which the active marker is located to the center of the spectrum analyzer display and keeps the signal peak at center screen.

To keep a drifting signal at center screen, place the active marker on the desired signal before turning on MKTRACK.

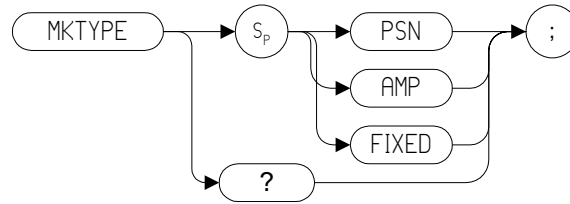
NOTE

The functions of the MKTRACK command are identical to the MT0 [zero] command ([page 303](#)) and the MT1 [one] command ([page 304](#)).

MKTYPE Marker Type

Syntax

8566 and 8568 Remote Language only



Description

Specifies the type of marker.

MKTYPE PSN allows the marker to be positioned horizontally in display units (default). Use the MKP and MKF commands to position the marker.

MKTYPE AMP allows the marker to be positioned according to amplitude. Use the MKA command to position the marker.

MKTYPE FIXED allows a marker to be placed at any fixed point on the display. Use the MKP, MKF, and MKA commands to position the marker.

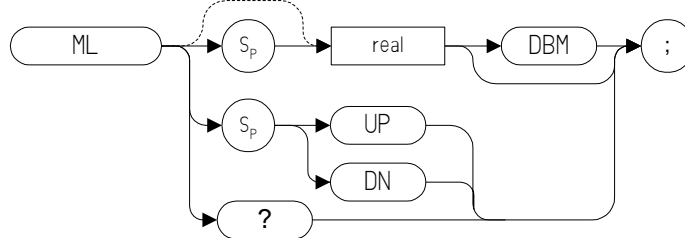
NOTE

Marker type can only be set for an active marker. The marker type is reset to PSN when the marker is turned off (using the MKOFF command) or the instrument is preset.

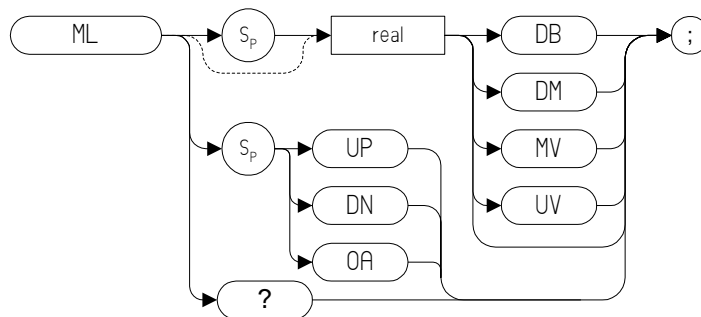
ML Mixer Level

Syntax

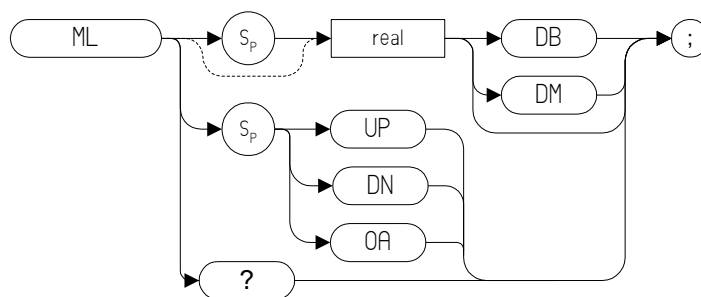
8560 Series Remote Language



8566 and 8568 Remote Language



8590 Series Remote Language



Description

The ML command specifies the maximum signal level that is applied to the input mixer for a signal that is equal to or below the reference level. The effective mixer level is equal to the reference level minus the input

Programming Commands

ML Mixer Level

attenuator setting.

NOTE

If an external amplifier gain value is set, the mixer level is determined using the following equation:

$$\text{Mixer Level} = \text{Ref. Level} - \text{Attenuation} + \text{Ext. Amplifier Gain}$$

The external amplifier gain is not preset by doing an IP command in case the analyzer is measuring a large signal. This is to protect the analyzer from damage from a large signal. For a helpful suggestion, see [Chapter 3](#), “Hints and Tips,” on page 87.

NOTE

The functions of the ML command are identical to the KS, command ([page 205](#)).

MT0 [zero] Marker Track Off

Syntax



Description

The MT0 [zero] command disables the marker tracking mode.

NOTE

The functions of the MT0 [zero] command are identical to the MKTRACK OFF command ([page 299](#)).

MT1 [one] Marker Track On

Syntax



Description

Moves the signal on which the active marker is located to the center of the spectrum analyzer display and keeps the signal peak at center screen.

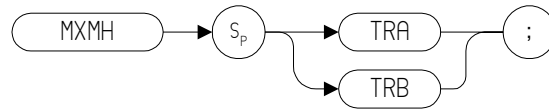
To keep a drifting signal at center screen, place the active marker on the desired signal before issuing an MT1 [one] command.

NOTE

The functions of the MT1 command are identical to the MKTRACK ON command ([page 299](#)).

MXMH Maximum Hold

Syntax



NOTE TRA corresponds to Trace 1 and TRB corresponds to Trace 2.

Description

Updates each trace element with the maximum level detected.

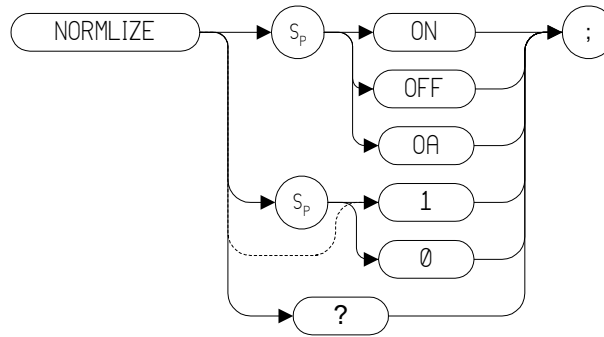
MXMH updates the specified trace (either Trace A or Trace B) with a new value from a detector only if the new value is larger than the previous trace data value.

NOTE The functions of the MXMH command are identical to the A2 command ([page 96](#)) and B2 command ([page 134](#)).

NORMLIZE

Normalize Trace Data

Syntax



Description

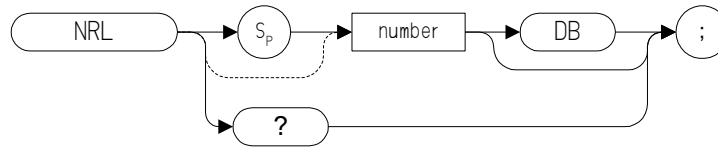
The **NORMLIZE** command activates or deactivates the normalization routine for stimulus-response measurements. This function subtracts trace B from trace A, offsets the result by the value of the normalized reference position (NRL), and displays the result in trace A.

NOTE This command is only supported on the ESA Series of analyzers with Rev B.00.00 or later of the Option 266 software. It is not supported on the PSA Series of analyzers.

NOTE The 'OA' option only returns the current value to the controller. It does not set the active function to the normalization state.

NRL Normalized Reference Level

Syntax



Description

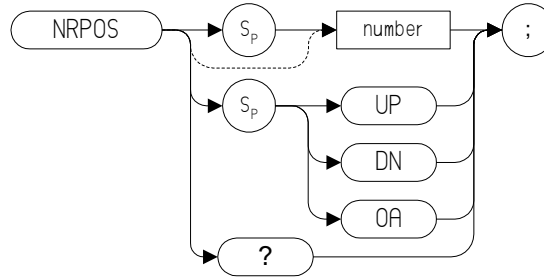
The NRL command sets the normalized reference level.

NOTE

This command is only supported on the ESA Series of analyzers with Rev B.00.00 or later of the Option 266 software. It is not supported on the PSA Series of analyzers.

NRPOS Normalized Reference Position

Syntax



Description

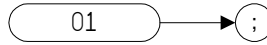
The NRPOS command adjusts the normalized reference-position that corresponds to the position on the graticule where the difference between the measured and calibrated traces resides.

NOTE

This command is only supported on the ESA Series of analyzers with Rev B.00.00 or later of the Option 266 software. It is not supported on the PSA Series of analyzers.

O1 [*one*] Format - Display Units

Syntax



Description

The O1 [*one*] command transmits trace amplitude and position information as decimal values in display units.

O2 [*two*] Format - Two 8-Bit Bytes

Syntax



Description

The O2 [*two*] command transmits trace amplitude and position information as two 8-bit binary numbers, or one instruction word.

O3 [*three*] Format - Real Amplitude Units

Syntax



Description

The O3 [*three*] command transmits trace vertical axis information only, in measurement units of Hz, dBm, dB, volts or seconds.

O4 [*four*] Format - One 8-Bit Byte

Syntax

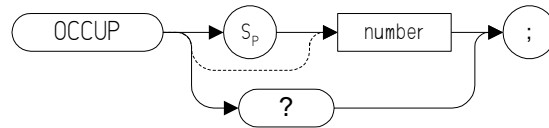


Description

The O4 [*four*] command transmits trace amplitude information only as a binary number.

OCCUP Percent Occupied Power Bandwidth

Syntax

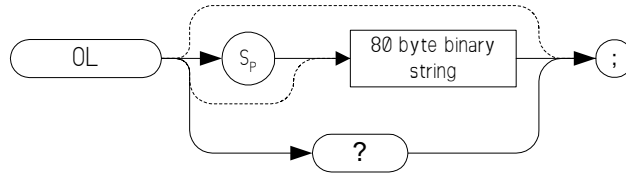


Description

The OCCUP command is used to query the current value of the percent occupied power. This value is set by the DELMKBW ([page 163](#)) and the PWRBW command ([page 325](#)) command. The OCCUP command can also be used to set the percent occupied power.

OL Output Learn String

Syntax



Description

The OL command transmits information to the controller that describes the state of the analyzer when the OL command is executed. This information is called the “learn string.” The learn string can be sent from the controller memory back to the analyzer to restore the analyzer to its original state.

NOTE

The OL command is not completely supported, due to differences between the PSA series, ESA series, and 8566/8568. This command is only supported on the PSA series of analyzers with firmware Rev. A.08.02 or later. It is not supported on ESA series analyzers

OT

Output Trace Annotations

Syntax



Description

The OT command sends 32 character-strings to the controller. Each character-string can be up to 64 characters long.

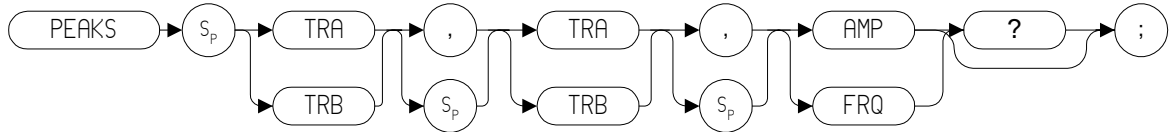
NOTE

The 'data invalid indicator' status report given in string 27 of the returned text is only supported on PSA.

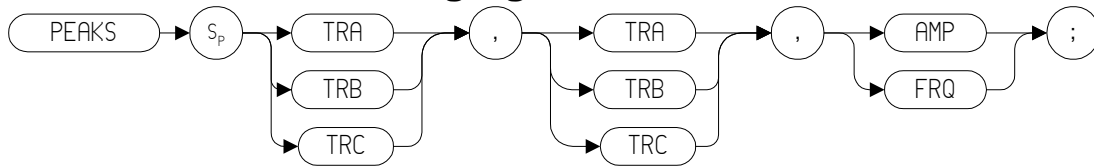
PEAKS Peaks

Syntax

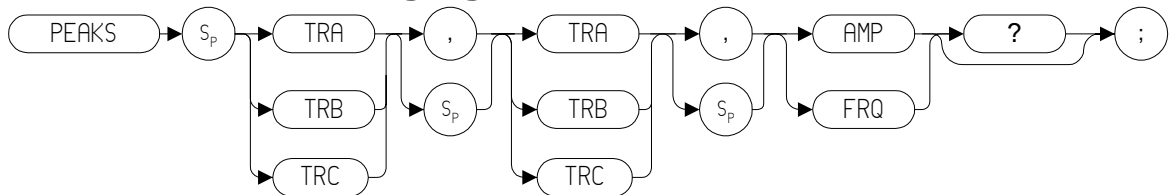
8560 Series Remote Language



8566 and 8568 Remote Language



8590 Series Remote Language



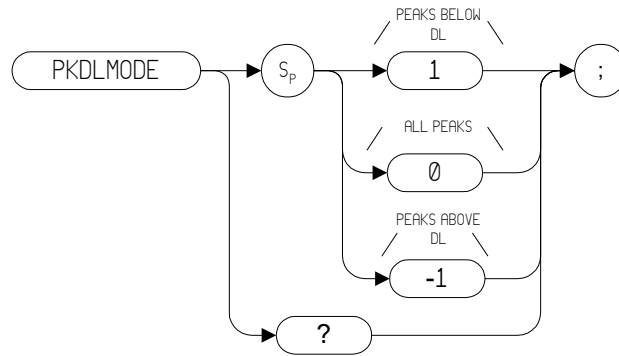
Prerequisite Commands: TS when using trace data

Description

The PEAKS command sorts the signal peaks in the source trace by frequency or amplitude, and sends the sorted results to the destination trace.

PKDLMODE Peak Table Delta Display Line Mode

Syntax



Description

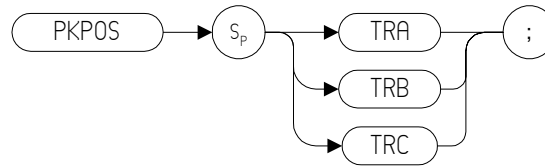
The PKDLMODE command selects the signal peaks that are displayed in the peak table. The signal sets of peaks can be selected: all the signal peaks, only the signal peaks that are above the display line, or only the peaks that are below the display line.

NOTE

This command is only supported on the ESA Series of analyzers with Rev B.00.00 or later of the Option 266 software. It is not supported on the PSA Series of analyzers.

PKPOS Peak Position

Syntax



NOTE

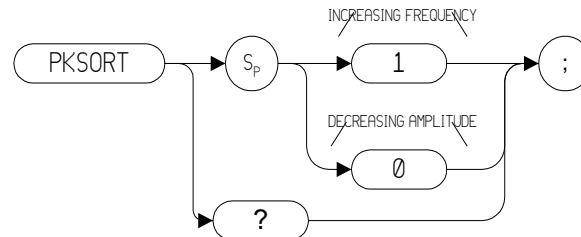
TRA corresponds to Trace 1, TRB corresponds to Trace 2, and TRC corresponds to Trace 3.

Description

The PKPOS command returns the *X* co-ordinate value of the maximum peak in the specified trace.

PKSORT Peak Sort

Syntax



Description

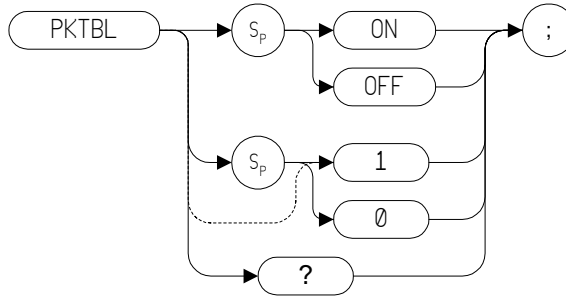
Selects how the signal peaks listed in the peak table are sorted: by decreasing amplitude or ascending frequency.

NOTE

This command is only supported on the ESA Series of analyzers with Rev B.00.00 or later of the Option 266 software. It is not supported on the PSA Series of analyzers.

PKTBL Peak Table

Syntax



Description

The PKTBL command turns the peak table on or off.

NOTE

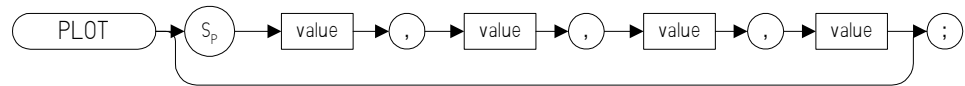
This command is only supported on the ESA Series of analyzers with Rev B.00.00 or later of the Option 266 software. It is not supported on the PSA Series of analyzers.

NOTE

The query response is either 1 or 0.

PLOT Plot

Syntax



Description

The PLOT command allows you transfer trace data, graticule and annotation information to a printer using a parallel port.

NOTE

The legacy analyzers transferred data directly to a plotter via the GPIB connection. The PLOT command now transfers data to a printer, and prints the entire screen. For instructions on connecting your analyzer to a printer, see the *ESA- and PSA User's Reference and Programming Guide*.

Although the PLOT command will read in plotter dimension values, these will be ignored.

PP Preselector Peak

Syntax



Description

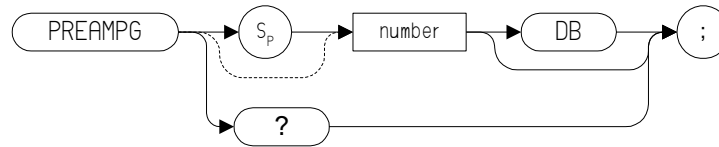
The PP command optimizes preselector tracking to peak the amplitude of a signal at the active marker. If a marker is not on the screen, PP places a marker at the highest signal level, and optimizes preselector tracking at that frequency.

NOTE

This command is only supported when the analyzer's maximum frequency limit is greater than 3 GHz. If the command is issued on an analyzer with a maximum frequency limit of 3 GHz or less, an error message will be generated stating that the command is not supported.

PREAMPG External Preamplifier Gain

Syntax



Description

Subtracts a positive or negative preamplifier gain value from the displayed signal. The preamplifier gain is removed by entering a value of 0.

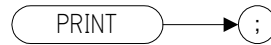
NOTE

An Instrument Preset (using the IP command [\(page 204\)](#)) does not reset the preamplifier gain to 0.

PRINT

Print

Syntax



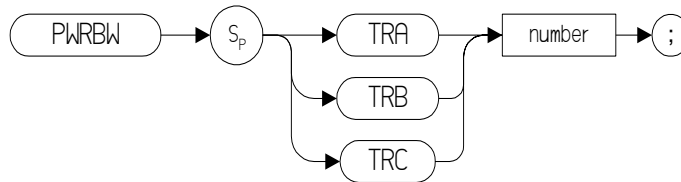
Description

Transfers trace data, graticule and annotation of the analyzer screen directly to a printer via a parallel port.

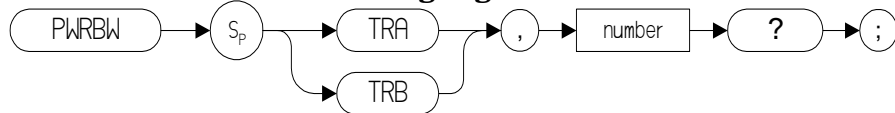
PWRBW Power Bandwidth

Syntax

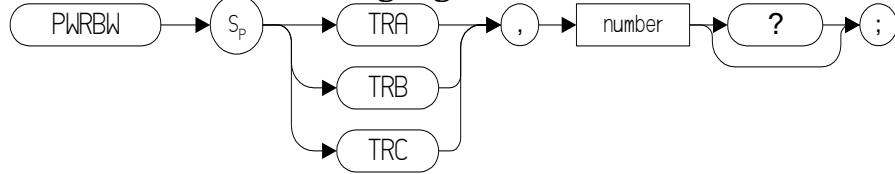
8560 Series Remote Language



8566 and 8568 Remote Language



8590 Series Remote Language



Description

Computes the combined power of all signal responses in the specified trace, and returns the bandwidth of the specified percentage of total power. The number in the command is a percentage value, that is, it has a range of 0 to 100.

NOTE If the percent total power is 100%, the power bandwidth equals the frequency span.

NOTE On the 8566A/B analyzer, this command stops the trace. That is not the case with this Option 266 Programming Code Compatibility.

PWRUPTIME **Power Up Time**

Syntax

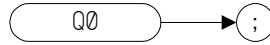
PWRUPTIME → ;

Description

Returns the number of milliseconds that have elapsed since the spectrum analyzer was turned on.

Q0 [zero] EMI Peak Detection

Syntax



Description

Sets the detector function to EMI detection. This is the same as Peak detection but uses CISPR related bandwidths.

NOTE

This command is only supported in PSA series analyzers. ESA series analyzers do not have quasi-peak detection functionality.

DET? will return EPK after execution of the Q0 command.

Q1 [*one*] Quasi-Peak Detection

Syntax



Description

Sets the detector function to Quasi-Peak detection. This is a fast-rise, slow-fall detector used to make CISPR compliant EMI measurements.

NOTE

This command is only supported in PSA series analyzers. ESA series analyzers do not have quasi-peak detection functionality.

DET? will return QPD after execution of the Q1 command.

R1 [one] Illegal Command SRQ

Syntax



Description

The R1 [one] command deactivates all analyzer service requests (SRQs) except SRQ140, the illegal-command service request.

R2 [*two*] End-of-Sweep SRQ

Syntax



Description

The R2 [*two*] command activates the end-of-sweep and illegal-command service requests.

R3 [*three*] Hardware Broken SRQ

Syntax



Description

The R3 [*three*] command activates the hardware-broken and illegal-command service requests.

R4 [*four*] Units-Key-Pressed SRQ

Syntax



Description

The R4 [*four*] command activate the units-key-pressed and illegal-command SRQs.

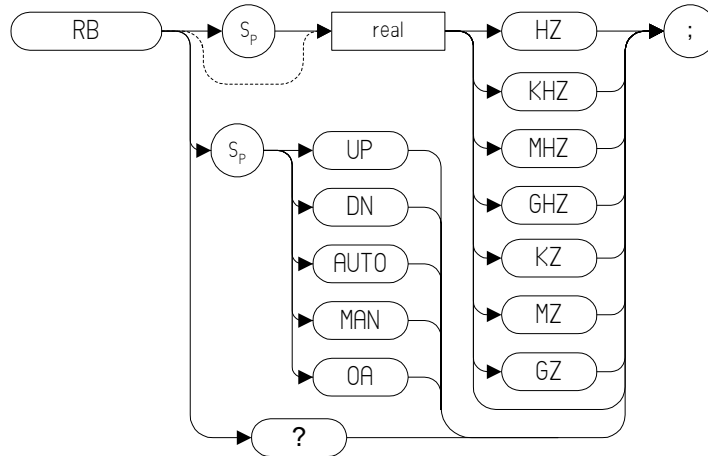
NOTE

ESA and PSA analyzers cannot replicate the units-key-pressed service request since no front panel interaction is supported.

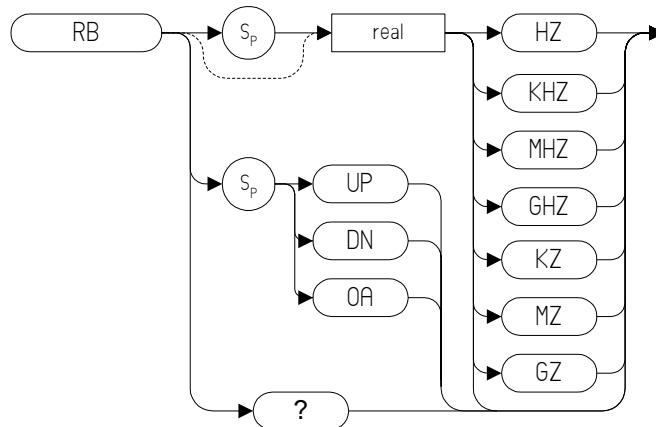
RB Resolution Bandwidth

Syntax

8560 Series Remote Language

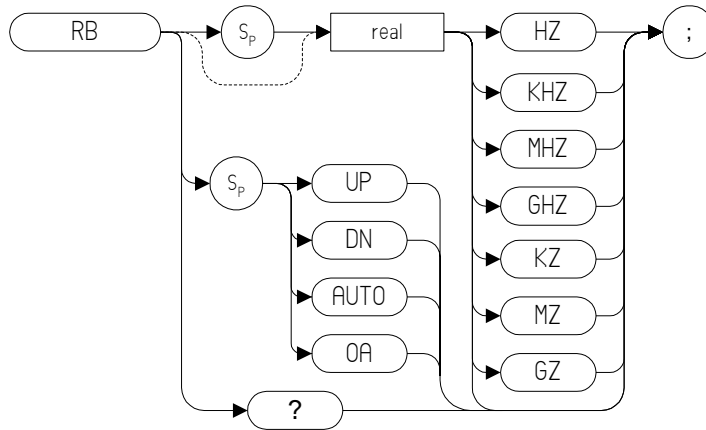


8566 and 8568 Remote Language



Preset State for all languages: 3 MHz, auto coupled.
 Step Increment for all languages: In a 1, 3, 10 series.

8590 Series Remote Language



Preset State for all languages: 3 MHz, auto coupled.

Step Increment for all languages: In a 1, 3, 10 series.

Description

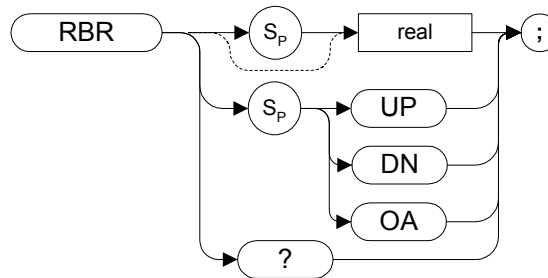
The RB command specifies the resolution bandwidth. Available bandwidths are 10 Hz, 30 Hz, 300 Hz, 1 kHz, 3kHz, 30 kHz, 100 kHz, 300 kHz, 1 MHz, and 3 MHz. The resolution bandwidths, video bandwidths, and sweep time are normally coupled. Executing RB decouples them. Execute CR (page 158) to reestablish coupling.

NOTE Default values on ESA and PSA analyzers may vary from the legacy analyzers. Refer to the relevant ESA or PSA User’s Guide to find out any restrictions that may apply.

NOTE The ESA Series analyzers require Option 1DR (Narrow Resolution Bandwidth card) to obtain resolution bandwidths below 1 kHz.

RBR Resolution Bandwidth Ratio

Syntax

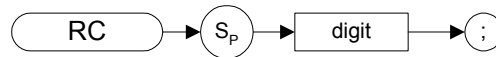


Description

This command is only supported in PSA Series analyzers. It sets the span to resolution bandwidth ratio. Allows you to set the Span/RBW ratio to 1/<value>, where <value> is sent by the user.

RC Recall State

Syntax



Description

Recalls analyzer state data from the specified state register in the analyzer's memory.

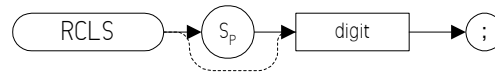
Registers one through six are reserved for the user, and contain instrument states (such as front panel configuration) saved with the SAVES command ([page 347](#)) or the SV command ([page 373](#)).

NOTE Recalling the previous state (RC 7) is not supported in Option 266 Programming Code Compatibility Suite.

NOTE The functions of the RC command are identical to the RCLS command ([page 337](#)).

RCLS Recall State

Syntax



Description

Recalls analyzer state data from the specified state register in the analyzer's memory.

Registers one through six are reserved for the user, and contain instrument states (such as front panel configuration) saved with the SAVES command (page 347) or the SV command (page 373).

NOTE The functions of the RCLS command are identical to the RC command (page 336).

NOTE Recalling the previous state (RC 7 or RCLS 7) is not supported in Option 266 Programming Code Compatibility.

REV Revision

Syntax



Description

The REV command returns the firmware revision number.

NOTE

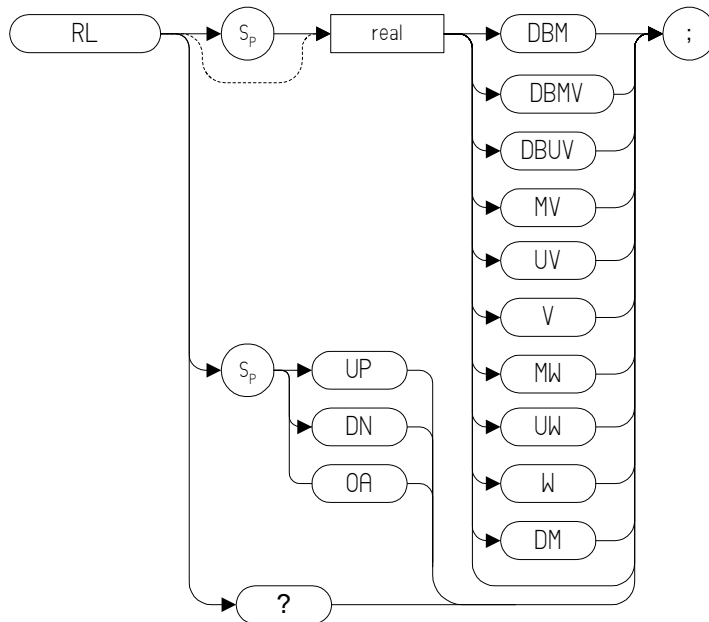
In ESA and PSA analyzers, this command returns the build date of Option 266 that you have installed in your analyzer. The date is returned in YYWW format where YY is the number of years since 1950, and WW is week number within that year (often referred to as “Work Week”).

As an example, if your Option 266 Programming Code Compatibility firmware was built on May 23 2004, the number 5421 would be returned. The year 2004 is 54 years after 1950, and May 23 is the 21st week of the year, hence 5221.

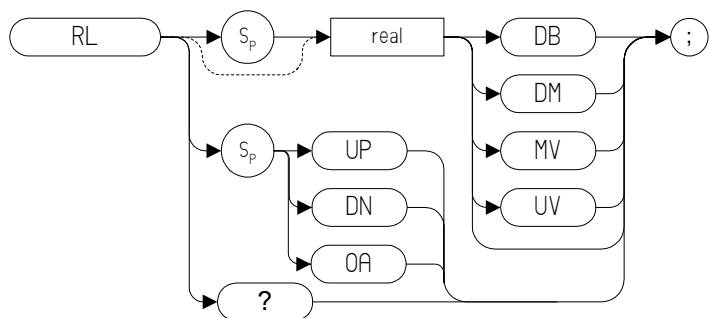
RL Reference Level

Syntax

8560 Series Remote Language



8566, 8568, and 8590 Series Remote Language



Description

Specifies the amplitude level of the top graticule line on the display. This represents the reference level.

CAUTION

Signal levels above +30 dBm will damage the spectrum analyzer. For a helpful suggestion on this subject, see [Chapter 3](#), "Hints and Tips," on [page 87](#).

NOTE

PSA Series only: The 8590 Series of analyzers have a maximum value of 60 dBm for the reference level. The range of reference levels for the PSA Series of analyzers depends on the other settings shown below:

- -170 dBm to +30 dBm with 0 dB reference level offset.
 - -160 dBm to +40 dBm with 10 dB reference level offset.
 - -180 dBm to +20 dBm with 10 dB external amplifier gain.
 - -170 dBm to 0 dBm with preamp on (Option 1DS).
-

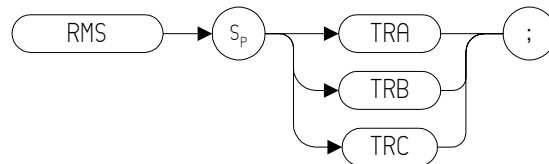
NOTE

If the display line is on, changing the reference level does not adjust the position of the display line.

RMS Root Mean Square Value

Returns the root mean square value of the trace in measurement units.

Syntax



Prerequisite Commands: TS when using trace data.

NOTE

TRA corresponds to Trace 1, TRB corresponds to Trace 2, and TRC corresponds to Trace 3.

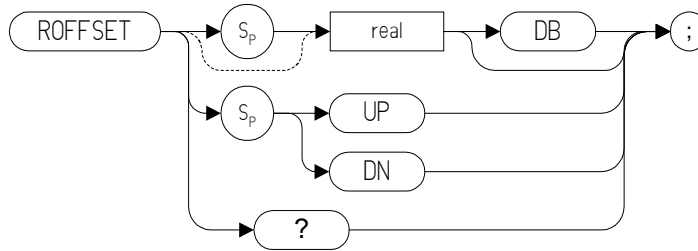
Description

Returns the RMS value of the trace in display units.

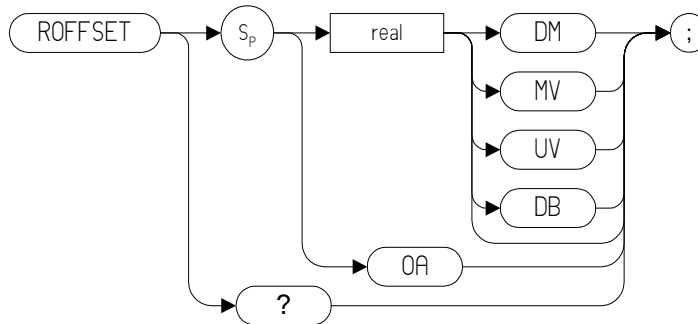
ROFFSET Reference Level Offset

Syntax

8560 Series and 8590 Series Remote Language



8566 Remote Language



Description

Offsets all amplitude readouts without affecting the trace.

Once activated, the ROFFSET command displays the amplitude offset on the left side of the screen.

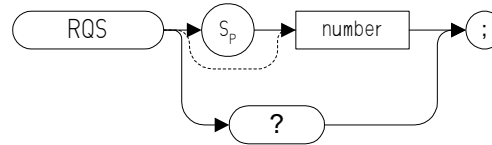
Entering ROFFSET 0 or presetting the spectrum analyzer eliminates an amplitude offset.

NOTE

The functions of the ROFFSET command are identical to the KSZ command ([page 239](#)).

RQS Service Request Mask

Syntax



Description

Sets a bit mask for service requests.

NOTE

Some differences may be noticed in the value returned by the RQS query when compared with the value set. This is because Option 266 on ESA and PSA analyzers does not support the use of bit-1 of the status byte. Bit-1 of the status byte is always set to Off.

S1[one] Continuous Sweep

Syntax



Description

The S1 command sets the spectrum analyzer to continuous sweep mode. In the continuous sweep mode, the spectrum analyzer takes its next sweep as soon as possible after the current sweep (as long as the trigger conditions are met). A sweep may temporarily be interrupted by data entries made over the remote interface.

NOTE

The functions of the command S1 are identical to the CONTS command ([page 155](#)).

S2 [two] Single Sweep

Syntax



Description

The S2 command sets the analyzer to single sweep mode. Each subsequent time that the command S2 is sent, one sweep is started if the trigger conditions are met.

NOTE

The functions of the S2 command are similar to the SNGLS command ([page 356](#)).

SADD Add Limit Line Segment

Syntax

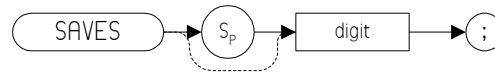


Description

The SADD command is used to add a limit-line segment to the current limit line.

SAVES Save State

Syntax



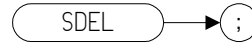
Description

Saves the current state of the spectrum analyzer in any of the registers one through six.

NOTE The functions of the SAVES command are identical to the SV command ([page 373](#)).

SDEL Delete Limit Line Segment

Syntax



Description

The SDEL command deletes the limit-line segment specified with the SEDI command ([page 350](#)).

SDON Terminate Limit Line Segment

Syntax

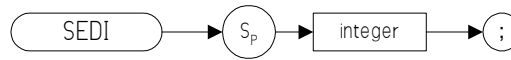


Description

The SDON command is used to terminate the SEDI command ([page 350](#)).

SEDI Activate Limit Line Segment

Syntax



Description

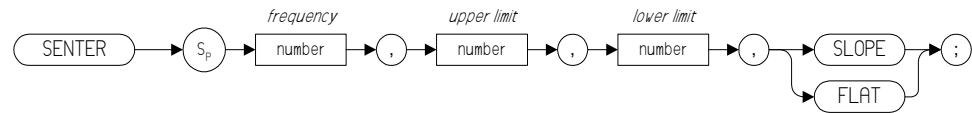
The SEDI command activates the limit-line segment you identify by its segment number in the limit-line table.

NOTE

The maximum number of limit line points that can be specified on an ESA Series or a PSA Series analyzer is 200.

SENDER Segment Entry for Frequency Limit Lines

Syntax



Description

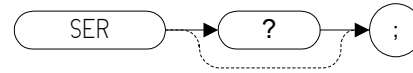
The SENTER command is used to create a complete limit-line segment.

NOTE

Although the parameters SLOPE and FLAT are accepted in the command, they are ignored and have no effect.

SER Serial Number

Syntax

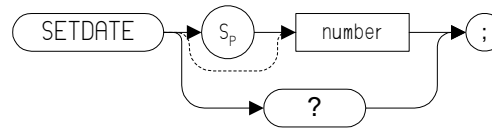


Description

The SER command returns the analyzer serial number to the controller.

SETDATE **Set Date**

Syntax



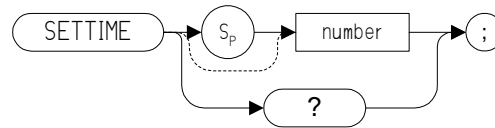
Description

The SETDATE command sets the date of the real-time clock of the spectrum analyzer. The date takes the form YYMMDD (Year, Month, Day)

SETTIME

Set Time

Syntax

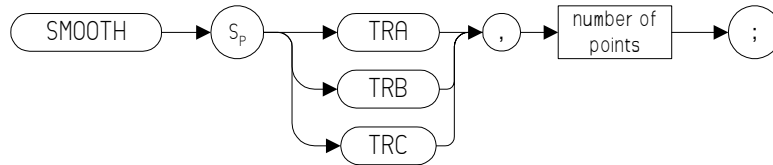


Description

The SETTIME command sets the date of the real-time clock of the spectrum analyzer. The time takes the form HHMMSS (Hour, Minute, Second)

SMOOTH Smooth Trace

Syntax



Prerequisite Commands: TS when using trace data.

NOTE

TRA corresponds to Trace 1, TRB corresponds to Trace 2, and TRC corresponds to Trace 3.

Description

Smooths the trace according to the number of points specified for the running average.

Each point value is replaced with the average of the values (in measurement units) of the given number of points centered on it. Increasing the number of points increases smoothing at the cost of decreasing resolution. If the number of points is an even number, then the number of points is increased by one.

Smoothing decreases at the endpoints.

NOTE

Some differences may be noticed between the smoothed trace in the legacy analyzers and the smoothed trace using the same signal in ESA-E, ESA-L, and PSA analyzers.

SNGLS Single Sweep

Syntax



```
SNGLS → ;
```

Description

Sets the spectrum analyzer to single-sweep mode. Each time TS (take sweep) is sent, one sweep taken as long as the trigger conditions are met.

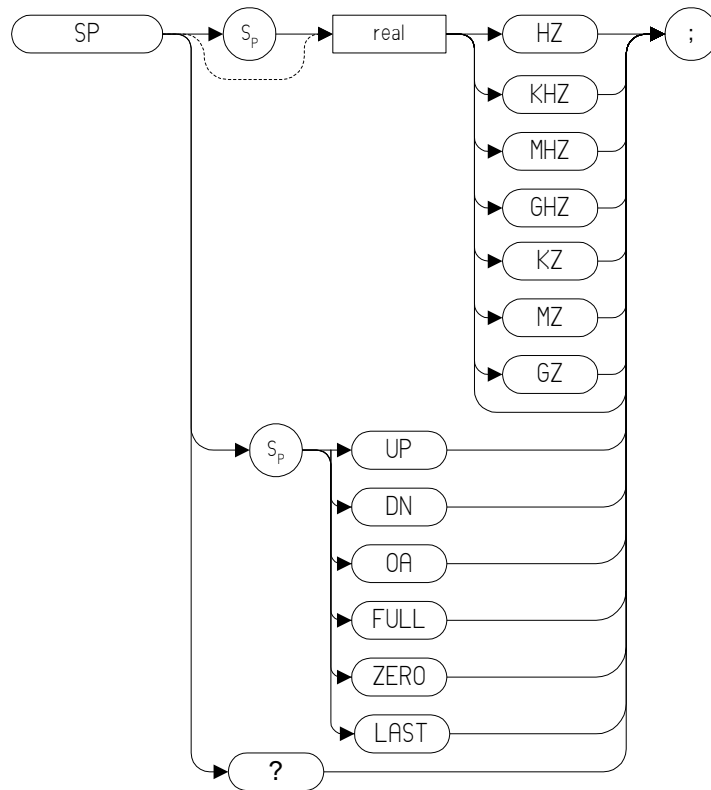
NOTE

The functions of the SNGLS command are identical to the S2 command ([page 345](#)).

SP Frequency Span

Syntax

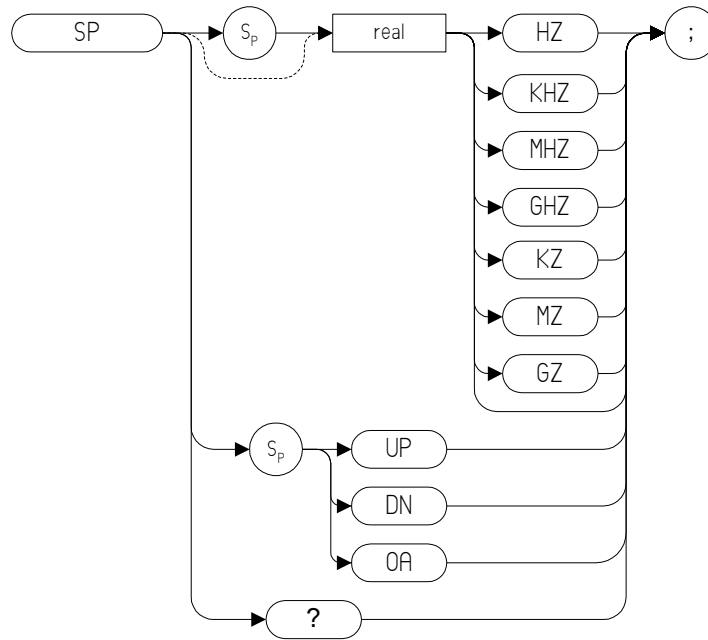
8560 Series Remote Language



Step Increment: 1, 2, 5, 10 sequence (up to the stop frequency of the

spectrum analyzer)

8566, 8568, and 8590 Series Remote Language



Step Increment: 1, 2, 5, 10 sequence (up to the stop frequency of the spectrum analyzer)

Description

Changes the total displayed frequency range symmetrically about the center frequency.

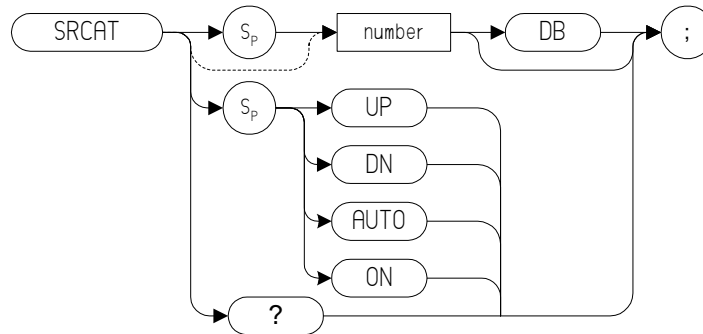
If resolution and video bandwidths are coupled to the span width, the bandwidths change with the span width to provide a predetermined level of resolution and noise averaging. Likewise, the sweep time changes to maintain a calibrated display, if coupled. All of these functions are normally coupled, unless RB (page 333), VB (page 398), or ST (page 369) have been executed.

NOTE

Option 266 Programming Code Compatibility does not mimic the exact coupling behavior of the legacy analyzers. Refer to your ESA - or PSA User's and Programmer's Reference Guide for the values used.

SRCAT Source Attenuator

Syntax



Description

The SRCAT command attenuates the source output level.

The command SRCAT AUTO automatically adjust the attenuator to yield the source amplitude level specified by the SRCPWR ([page 363](#)) command.

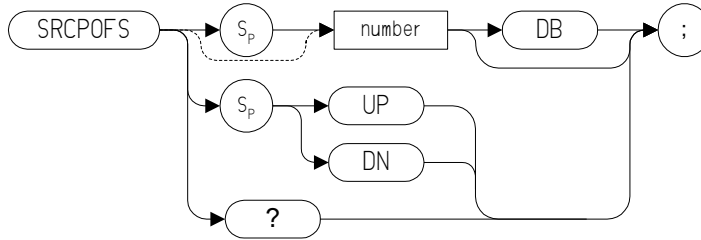
NOTE

This command is only supported on the ESA Series of analyzers with Rev B.00.00 or later of the Option 266 software, and then only when Option 1DN or Option 1DQ have been installed. It is not supported on the PSA Series of analyzers.

SRCPOFS

Source Power Offset

Syntax



Description

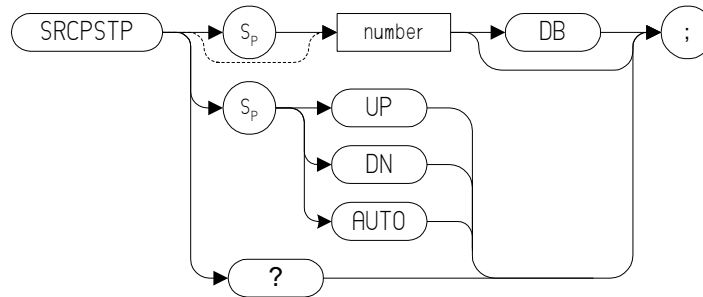
The SRCPOFS command offsets the displayed power of the built-in tracking generator. This function can be used to take into account system losses (for example, cable loss) or gains (for example, preamplifier gain) affecting the actual power delivered to the device under test.

NOTE

This command is only supported on the ESA Series of analyzers with Rev B.00.00 or later of the Option 266 software, and then only when Option 1DN or Option 1DQ have been installed. It is not supported on the PSA Series of analyzers.

SRCPSTP Source Power Step

Syntax



Description

Sets the step size of the source power level, source power offset, and power-sweep range functions.

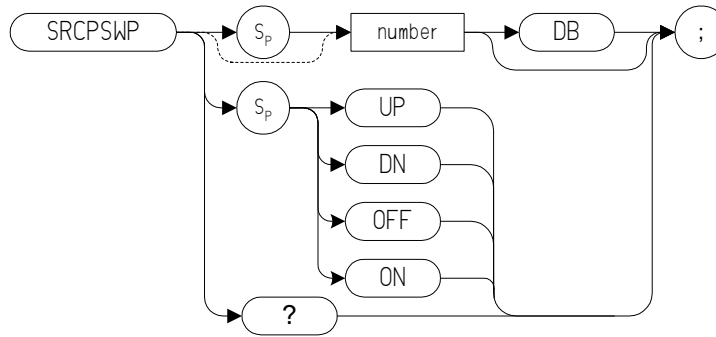
The command `SRCPSTP AUTO` sets the step size to one vertical scale division.

NOTE

This command is only supported on the ESA Series of analyzers with Rev B.00.00 or later of the Option 266 software, and then only when Option 1DN or Option 1DQ have been installed. It is not supported on the PSA Series of analyzers.

SRCPSWP Source Power Sweep

Syntax



Description

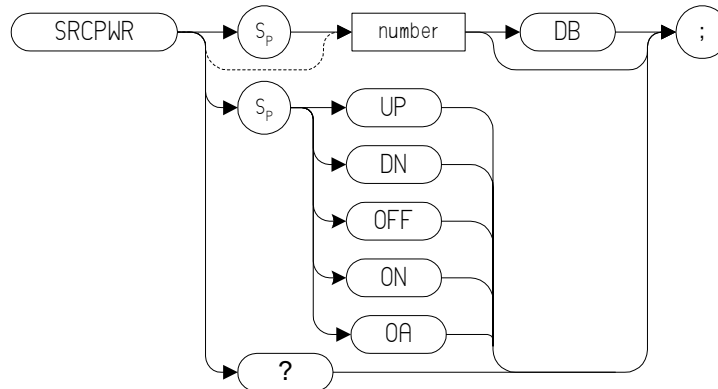
The SRCPSWP command activates and deactivates the power-sweep function, where the output power of the tracking generator is swept over the power-sweep range chosen. The starting source power level is set using the SRCPWR command ([page 363](#)). The output power of the tracking generator is swept according to the sweep rate of the spectrum analyzer.

NOTE

This command is only supported on the ESA Series of analyzers with Rev B.00.00 or later of the Option 266 software, and then only when Option 1DN or Option 1DQ have been installed. It is not supported on the PSA Series of analyzers.

SRCPWR Source Power

Syntax



Description

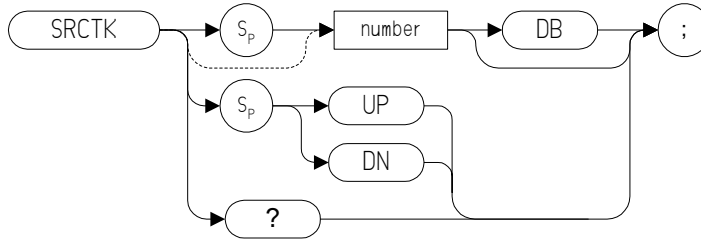
Turns the tracking generator on and off and adjusts the output power. The source is turned on automatically whenever its value is specified with SRCPWR.

NOTE

This command is only supported on the ESA Series of analyzers with Rev B.00.00 or later of the Option 266 software, and then only when Option 1DN or Option 1DQ have been installed. It is not supported on the PSA Series of analyzers.

SRCTK Source Tracking

Syntax



Description

Adjusts the tracking of the tracking generator output relative to the center frequency of the analyzer.

NOTE

This command is only supported on the ESA Series of analyzers with Rev B.00.00 or later of the Option 266 software, and then only when Option 1DN or Option 1DQ have been installed. It is not supported on the PSA Series of analyzers.

The ESA E4401B analyzer does not need source tracking adjustment, so this command has no effect.

SRCTKPK Source Tracking Peak

Syntax

SRCTKPK → ;

Description

The SRCTKPK command automatically adjusts the tracking to obtain the peak response of the tracking generator on the spectrum analyzer display.

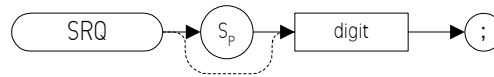
NOTE

This command is only supported on the ESA Series of analyzers with Rev B.00.00 or later of the Option 266 software, and then only when Option 1DN or Option 1DQ have been installed. It is not supported on the PSA Series of analyzers.

The ESA E4401B analyzer does not need source tracking adjustment, so this command has no effect.

SRQ User-Defined SRQ

Syntax



Description

The SRQ command sends a service request to the controller when the SRQ operand fits the mask supplied with the RQS command.

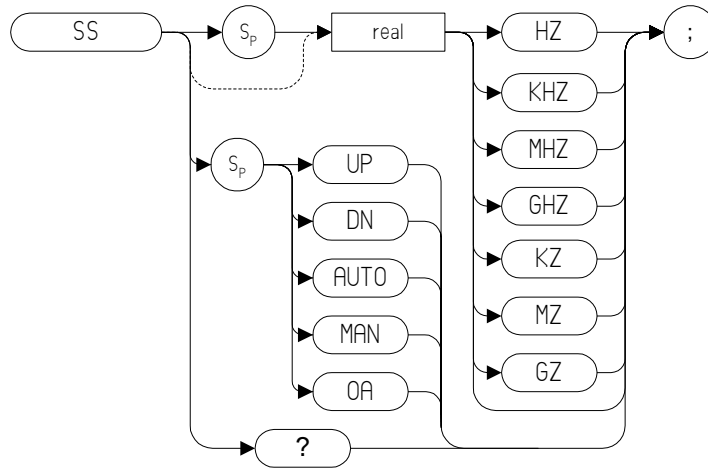
NOTE

Option 266 Programming Code Compatibility does not support the setting of bit 1 (units-key-pressed) of the status byte. Bit-1 of the status byte is always set to Off

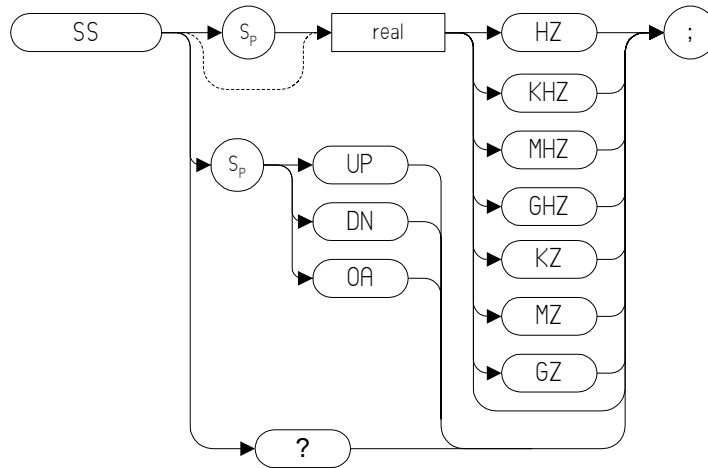
SS Center Frequency Step Size

Syntax

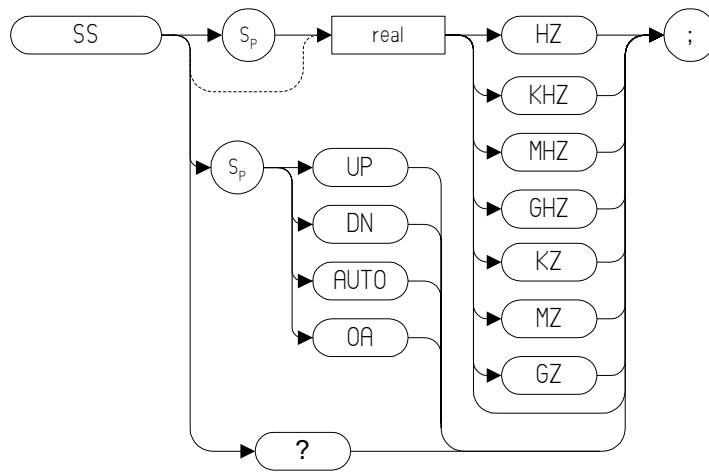
8560 Series Remote Language



8566 and 8568 Remote Language



8590 Series Remote Language



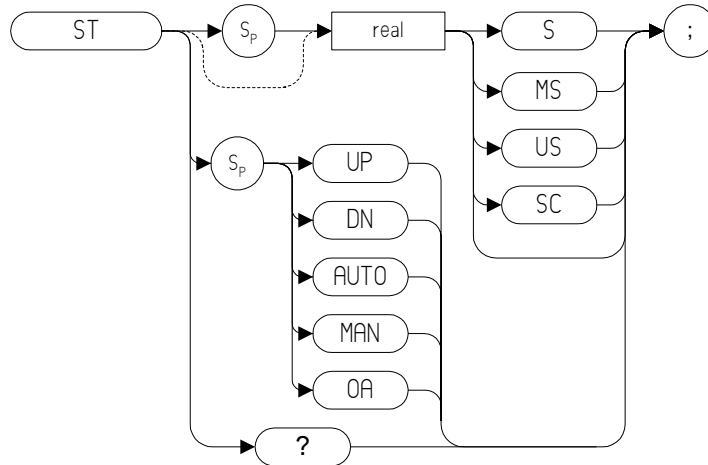
Description

The SS command specifies center frequency step size.

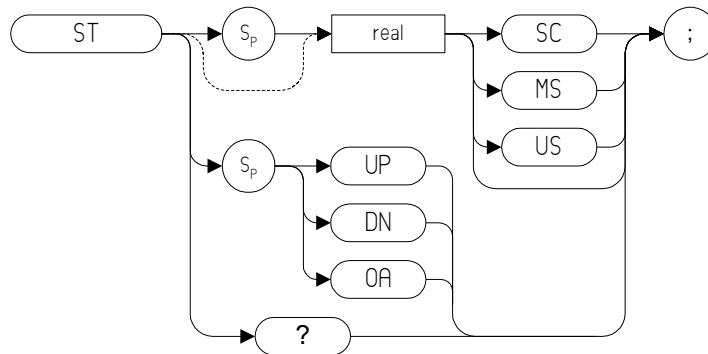
ST Sweep Time

Syntax

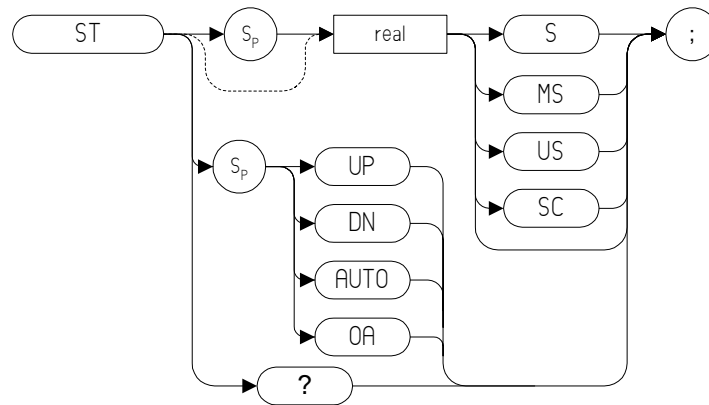
8560 Series Remote Language



8566 and 8568 Remote Language



8590 Series Remote Language

**Description**

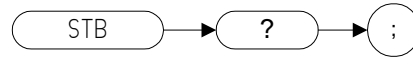
The ST command specifies the time in which the analyzer sweeps the displayed frequency or time span.

NOTE

The OA option in the ST command behaves in the same manner as the ST? command in that it returns the current value to the controller. However, the OA option does not set the active function to Sweep Time.

STB Status Byte Query

Syntax

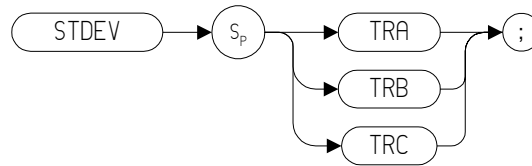


Description

The STB command returns to the controller the decimal equivalent of the bits set in the status byte (see the RQS ([page 343](#)) and SRQ ([page 366](#)) commands). STB is equivalent to a serial poll. The RQS and associated bits are cleared in the same way that a serial poll would clear them.

STDEV Standard Deviation of Trace Amplitudes

Syntax



Prerequisite Commands: TS when using trace data

NOTE

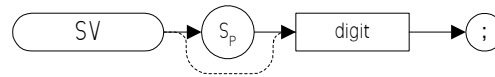
TRA corresponds to Trace 1, TRB corresponds to Trace 2, and TRC corresponds to Trace 3.

Description

Returns the standard deviation of the trace amplitude in display units.

SV Save State

Syntax



Description

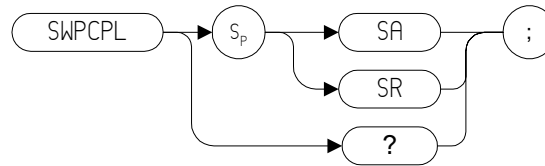
Saves the current state of the spectrum analyzer in any of the registers one through six.

NOTE

The functions of the SV command are identical to the SAVES command ([page 347](#)).

SWPCPL Sweep Couple

Syntax



Description

Selects either a stimulus-response (SR) or spectrum-analyzer (SA) auto coupled sweep time.

NOTE

This command is only supported on the ESA Series of analyzers with Rev B.00.00 or later of the Option 266 software. It is not supported on the PSA Series of analyzers.

T1 [one] Free Run Trigger

Syntax



Description

The T1 [one] command sets the analyzer sweep to free run trigger mode.

NOTE

The functions of the T1 [one] command are identical to the TM FREE command ([page 387](#)).

T2 [*two*] Line Trigger

Syntax



Description

The T2 [*two*] command sets the analyzer sweep to line trigger mode.

NOTE

The functions of the T2 [*two*] command are identical to the TM LINE command ([page 387](#)).

T3 [*three*] External Trigger

Syntax



Description

The T3 [*three*] command sets the analyzer sweep to external trigger mode.

NOTE

The functions of the T3 [*three*] command are identical to the TM EXT command ([page 387](#)).

T4 [*four*] Video Trigger

Syntax



Description

The T4 [*four*] command sets the analyzer sweep to video trigger mode.

NOTE

The functions of the T4 [*four*] command are identical to the TM VID command ([page 387](#)).

T7 [seven] Level Trigger for Time Gating

Syntax



Description

Selects level trigger mode for the time-gate function.

NOTE This command is only supported on the ESA Series of analyzers with Rev B.00.00 or later of the Option 266 software. It is not supported on the PSA Series of analyzers.

NOTE The functions of the T7 [seven] command are identical to the GATECTL LEVEL command ([page 192](#)).

T8 [eight] Edge Trigger for Time Gating

Syntax



Description

Selects edge trigger mode for the time-gate function.

NOTE This command is only supported on the ESA Series of analyzers with Rev B.00.00 or later of the Option 266 software. It is not supported on the PSA Series of analyzers.

NOTE The functions of the T8 [eight] command are identical to the GATECTL EDGE command ([page 192](#)).

TA Trace A

Syntax



Description

Returns trace A amplitude values from the analyzer to the controller.

The display unit values are transferred in sequential order (from left to right) as seen on the screen. Display unit values can be transferred to the controller in any one of the four output formats as determined by the O1 [*one*] ([page 309](#)), O2 [*two*] ([page 310](#)), O3 [*three*] ([page 311](#)) and O4 [*four*] commands ([page 312](#)). The format of the returned data is also affected by the TDF (Trace Data Format) ([page 383](#)) command and, if TDF B (binary data format) has been selected, by the MDS command ([page 266](#)).

TB Trace B

Syntax



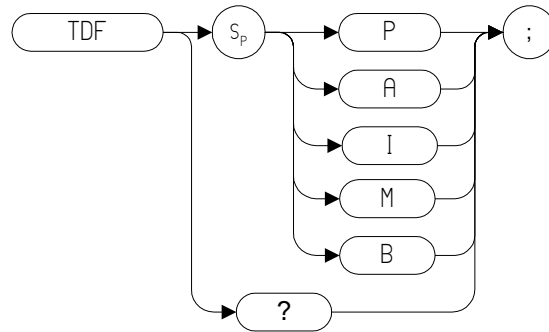
Description

Returns trace B amplitude values from the analyzer to the controller.

The display unit values are transferred in sequential order (from left to right) as seen on the screen. Display unit values can be transferred to the controller in any one of the four output formats as determined by the O1 [*one*] ([page 309](#)), O2 [*two*] ([page 310](#)), O3 [*three*] ([page 311](#)) and O4 [*four*] commands ([page 312](#)). The format of the returned data is also affected by the TDF (Trace Data Format) ([page 383](#)) command and, if TDF B (binary data format) has been selected, by the MDS command ([page 266](#)).

TDF Trace Data Format

Syntax



Description

Formats trace information for return to the controller.

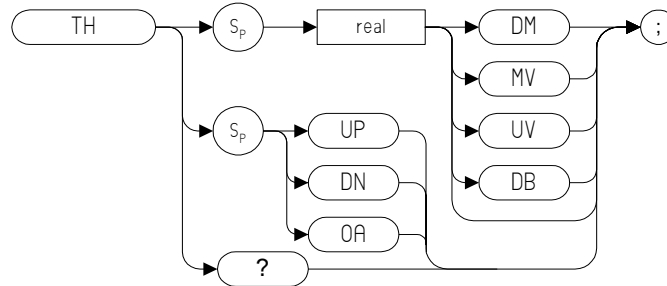
The different trace data formats are as follows:

- Specifying M enables the 01 format and returns values in display units, from 0 to 1001.
- Specifying P enables the 03 format and returns absolute measurement values, such as dBm or Hz.
- Specifying A returns data as an A-block data field. The MDS command determines whether data comprises one or two 8-bit bytes. (See MDS [\(page 266\)](#))
- Specifying I returns data as an I-block data field. The MDS command determines whether data comprises one or two 8-bit bytes. (See MDS [\(page 266\)](#))
- Specifying B enables the 02 or 04 format. The MDS command determines whether data comprises one or two 8-bit bytes

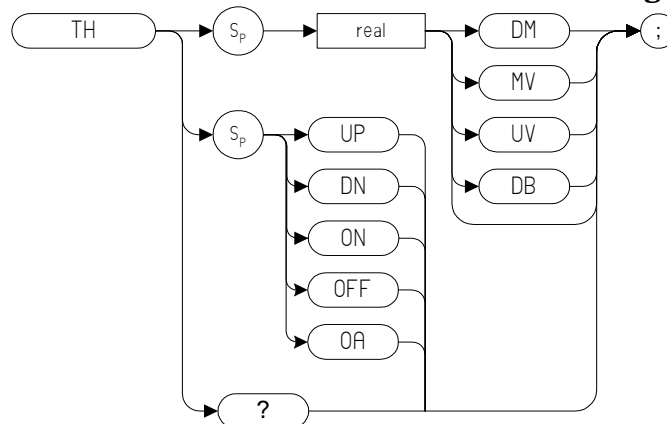
TH Threshold

Syntax

8566 and 8568 Remote Language



8560 Series and 8590 Series Remote Language



Description

The TH command blanks signal responses below the threshold level, similar to a base line clipper. The threshold level is nine major divisions below the reference level, unless otherwise specified. The UP and DN commands move the threshold 10 dB.

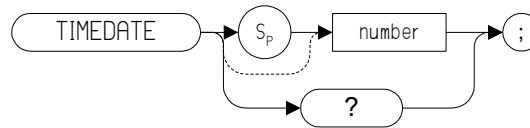
NOTE

The legacy analyzers all blank the display of everything below the threshold level, but this is not the case with ESA and PSA analyzers. Using the PEAKS (page 316) and MKPK (page 288) commands causes any values below the threshold level to be disregarded, even though the full trace will still be displayed. The 8560 Series supported the MKPT command in addition to the TH command. In ESA and PSA analyzers, both the TH and the MKPT commands will set the Marker Peak Threshold level; so if both commands are used in a single program, incompatibility issues may be experienced.

TIMEDATE

Time Date

Syntax



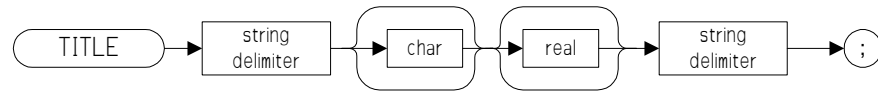
Description

Sets the date and time of the real-time clock of the spectrum analyzer. The number takes the form YYMMDDHHMMSS (Year, Month, Day, Hour, Minute, Second).

TITLE

Title

Syntax



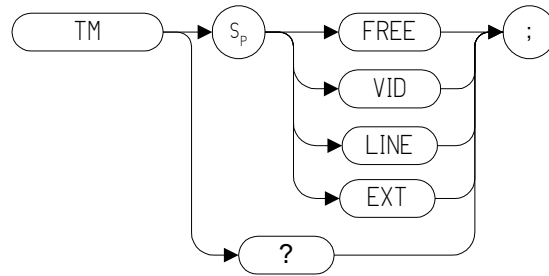
Description

The TITLE command activates the screen title mode, enabling you to enter your own title for the screen. Valid string delimiters which must be used to start and terminate the title are shown below.

- !
- “
- \$
- %
- &
- ‘
- /
- :
- =
- \
- ~
- @

TM Trigger Mode

Syntax



Description

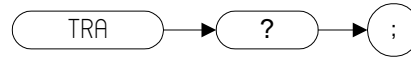
Selects a trigger mode: free, line, video, or external.

NOTE

The functions of the TM command are identical to the T1 ([page 375](#)), T2 ([page 376](#)), T3 ([page 377](#)) and T4 ([page 380](#)) commands.

TRA Trace Data Input and Output

Syntax

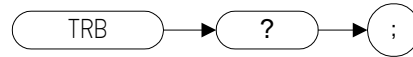


Description

The TRA command transfers Trace A amplitude values from the analyzer to the controller. The format depends on the trace data format selected. See the TDF command ([page 383](#)) for details on formatting.

TRB Trace Data Input and Output

Syntax

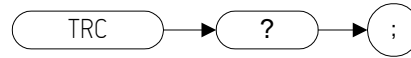


Description

The TRB command transfers Trace B amplitude values from the analyzer to the controller. The format depends on the trace data format selected. See the TDF command ([page 383](#)) for details on formatting.

TRC Trace Data Input and Output

Syntax

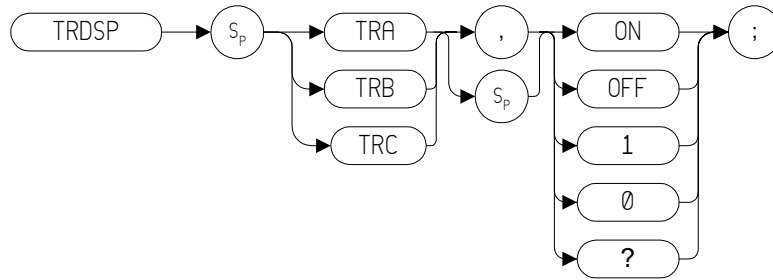


Description

The TRC command transfers Trace Amplitude values from the analyzer to the controller. The format depends on the trace data format selected. See the TDF command ([page 383](#)) for details on formatting.

TRDSP Trace Display

Syntax

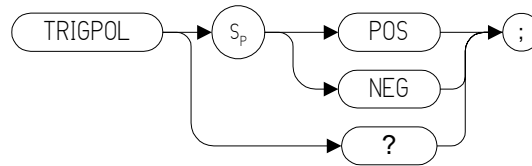


Description

The TRDSP command turns the display of the specified trace on or off.

TRIGPOL Trigger Polarity

Syntax



Description

Selects the edge (positive or negative) of the trigger input that causes the trigger event. TRIGPOL is available in all trigger modes. The trigger polarity (TRIGPOL) will always match the gate polarity. For example, if you set GP ([page 195](#)) to positive, TRIGPOL will automatically be set to positive also.

NOTE

The ESA Series of analyzers only support the setting of trigger polarity when the selected trigger is external (EXT). Refer to the TM command ([page 387](#)) for information on how to set the trigger mode.

TRPRST Trace Preset

Syntax

TRPRST → ;

Description

Sets the trace operations to their preset values.

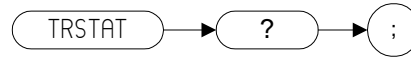
NOTE

Option 266 Language Code Compatibility does not do the following stages of TRPRST as they are not supported:

- ANLGPLUS OFF
 - DISPOSE ONEOS
 - DISPOSE ONSWP
 - DISPOSE TRMATH
 - EM
-

TRSTAT Trace State

Syntax



Description

The TRSTAT command returns trace states to the controller. Valid trace states are Clear-write, Off, View, Maximum Hold, and Blank.

Table 4-22 Possible Trace States

Trace State Description	Trace State Data Returned
Clear-write	CLRW
View	VIEW
Blank	BLANK
Off	No data is returned
Maximum Hold	MXMH

TS Take Sweep

Syntax



Description

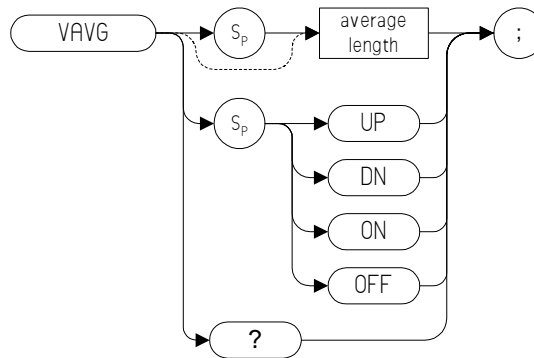
Starts and completes one full sweep before the next command is executed.

A take sweep is required for each sweep in the single-sweep mode. TS prevents further input from the interface bus until the sweep is completed to allow synchronization with other instruments.

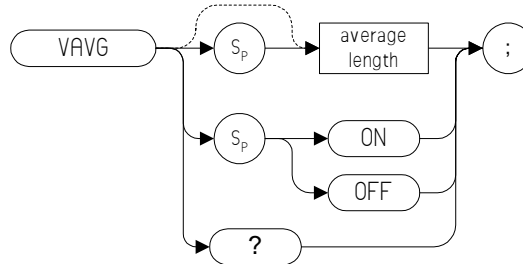
VAVG Video Average

Syntax

8560 Series Remote Language



8566 and 8568 Remote Language



Description

Enables the video-averaging function, which averages trace points to smooth the displayed trace. When queried, the VAVG command returns the average length.

NOTE The functions of the VAVG command are identical to the KSG command (page 217) and KSH command (page 219).

NOTE There are a few differences in the way video averaging works in Option 266 Programming Code Compatibility Suite compared to the legacy spectrum analyzers. See the following table for a summary of these differences.

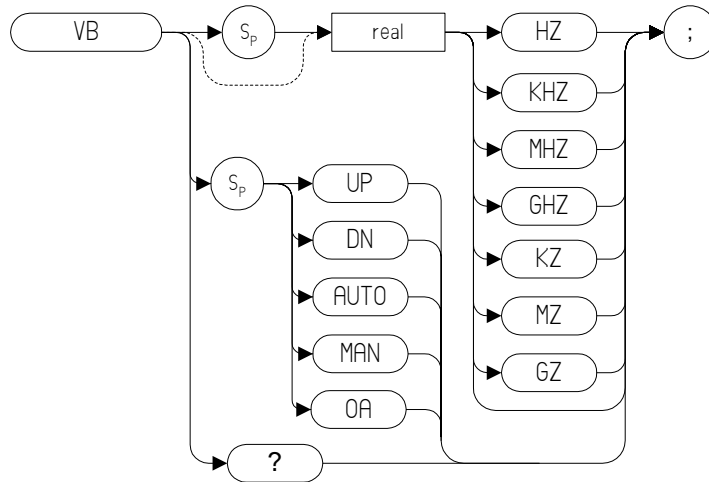
Table 4-23 Legacy Analyzers - Video Averaging Behavioral Differences

Condition	Legacy Spectrum Analyzers	Option 266 - Programming Code Compatibility Suite
All conditions.	<i>8566 and 8568 only</i> - Original trace is displayed in Trace C.	Only displays the averaged trace. The averaged trace is displayed in Trace A.
Average Count value set to 0.	Cannot be set to 0.	Video averaging is turned off if the Averaging Count is set to 0.
Change in Average Count setting to a higher value.	<i>8566 and 8568 only</i> - Continues counting from where the previous value left off.	Resets the counter to zero and starts the measurement again.
Change in average counter setting to a lower value.	<i>8566 and 8568 only</i> - Updates the screen annotation with the lower averaging value.	If the new count value has not been reached, continues until the new lower count has been reached. If the new, lower count value has already been reached, the analyzer will stop and wait until you take a new sweep.
Averaging turned on.	Sweep time remains unchanged.	Sweep time changes due to the selection of the sample detector.
Change in resolution bandwidth, video bandwidth, sweep time, reference level or attenuation.	<i>8566 and 8568 only</i> - In single sweep mode, resets counter to zero and starts the averaging again.	Continues the measurement without resetting the counter.
Change in center frequency or span.	In single sweep mode, resets counter to zero and starts the averaging again. <i>8566 and 8568 only</i> - Also reset the counter after changes in RBW, VBW, Sweep Time, Ref. Level and Attenuation.	In single sweep mode, resets counter to zero and starts the averaging again. Does not reset the counter after changes in RBW, VBW, Sweep Time, Ref. Level and Attenuation.

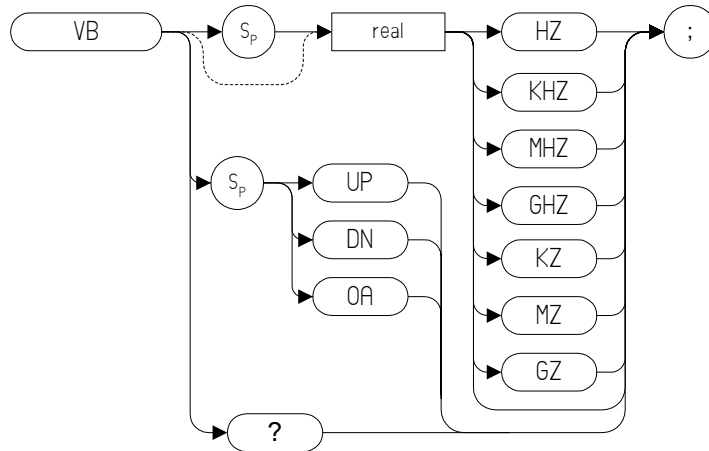
VB Video Bandwidth

Syntax

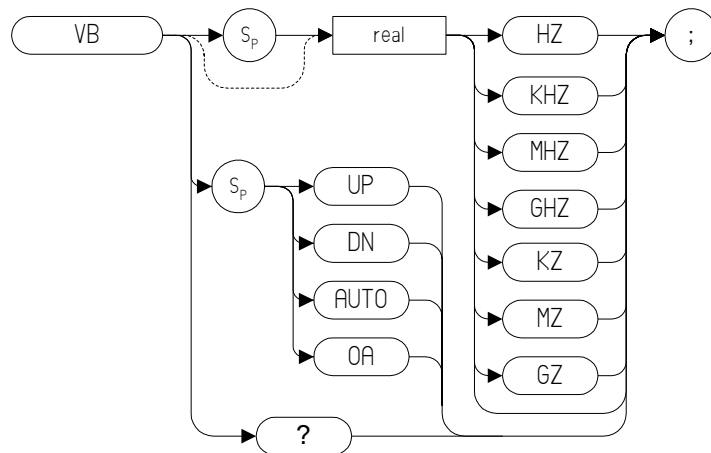
8560 Series Remote Language



8566 and 8568 Remote Language



8590 Series Remote Language



Description

Specifies the video bandwidth, which is a post-detection, low-pass filter.

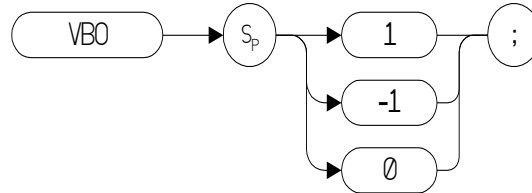
NOTE

Default values on the ESA and PSA analyzers may differ from the legacy analyzers. Refer to the relevant ESA and PSA User's and Programmer's Reference Guides for more details on the restrictions on the video bandwidth range.

When auto coupled, the video bandwidth is calculated as Resolution Bandwidth x Video Resolution Bandwidth Ratio. See the VBO command ([page 400](#)) for more details.

VBO Video Bandwidth Coupling Offset

Syntax



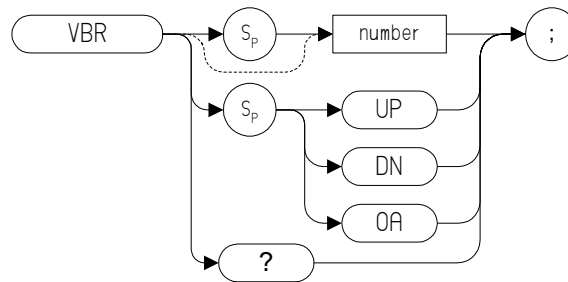
Description

The VBO command specifies the relationship between the video and resolution bandwidths which is maintained when these bandwidths are coupled. The bandwidths are usually coupled unless the RB command ([page 333](#)) or VB command ([page 398](#)) have been executed.

- When 0 is selected, the ratio remains fixed at 1. That is, the resolution bandwidth and the video bandwidth are always equal
- When 1 is selected, the video bandwidth is one step higher than the resolution bandwidth. That is, the video bandwidth:resolution bandwidth ratio is three.
- When -1 is selected, the video bandwidth is one step lower than the resolution bandwidth. That is, the video bandwidth:resolution bandwidth ratio is 0.3.

VBR Video Bandwidth to Resolution Bandwidth Ratio

Syntax



Description

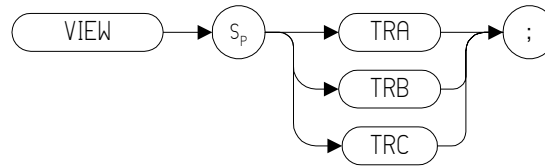
The VBR command specifies the relationship between the video and resolution bandwidths that is maintained when these bandwidths are coupled.

NOTE

Some differences may be seen between the resolution bandwidth and video bandwidth settings when auto coupled on a PSA Series analyzer.

VIEW View Trace

Syntax



Description

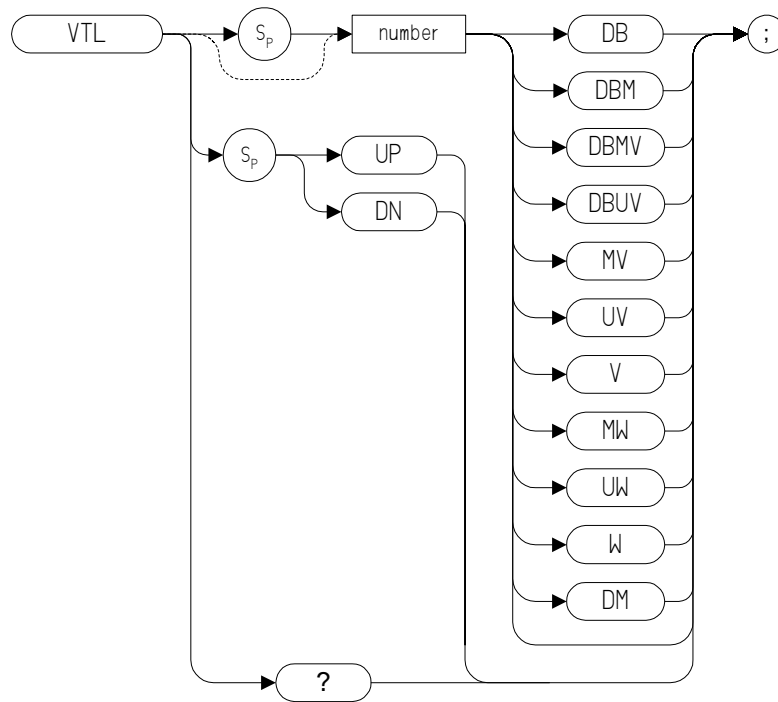
Displays Trace A, trace B, or trace C, and stops taking new data into the viewed trace.

NOTE The functions of the VIEW command are identical to the A3 (page 97), B3 (page 135) and KSj (page 222) commands.

NOTE TRA corresponds to Trace 1, TRB corresponds to Trace 2, and TRC corresponds to Trace 3.

VTL Video Trigger Level

Syntax

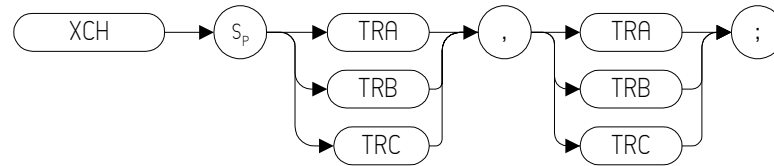


Description

The VTL command sets the signal level that triggers a sweep.

XCH Exchange

Syntax



Description

The XCH command exchanges the contents of the source and destination traces. The traces are analyzed and adjusted to fit the number of display points on the screen.

NOTE

The functions of the XCH TRA,TRB command are identical to the AXB ([page 132](#)) and EX ([page 180](#)) commands.

The functions of the XCH TRB,TRC command are identical to the BXC ([page 141](#)) and KSi ([page 221](#)) commands.

5

A Brief Introduction to the SCPI Language

SCPI Language Basics

This section is not intended to teach you everything about the SCPI (Standard Commands for Programmable Instruments) programming language. The SCPI Consortium or IEEE can provide that level of detailed information.

Topics covered in this chapter include:

- “Creating Valid Commands” on page 407
- “Command Keywords and Syntax” on page 406
- “Special Characters in Commands” on page 408
- “Parameters in Commands” on page 409
- “Putting Multiple Commands on the Same Line” on page 411

For more information refer to:

IEEE Standard 488.1-1987, IEEE Standard Digital Interface for Programmable Instrumentation. New York, NY, 1998.

IEEE Standard 488.2-1987, IEEE Standard Codes, Formats, Protocols and Comment Commands for Use with ANSI/IEEE Std488.1-1987. New York, NY, 1998.

Command Keywords and Syntax

A typical command is made up of keywords set off by colons. The keywords are followed by parameters that can be followed by optional units.

Example: `SENSe:FREQuency:START 1.5 MHZ`

The instrument does not distinguish between upper and lower case letters. In the documentation, upper case letters indicate the short form of the keyword. The lower case letters, indicate the long form of the keyword. Either form may be used in the command.

Example: `Sens:Freq:Star 1.5 mhz`

is the same as `SENSE:FREQ:start 1.5 MHz`

NOTE

The command `SENS:FREQU:STAR` is not valid because `FREQU` is neither the short, nor the long form of the command. Only the short and long forms of the keywords are allowed in valid commands.

Creating Valid Commands

Commands are not case sensitive and there are often many different ways of writing a particular command. These are examples of valid commands for a given command syntax:

Command Syntax	Sample Valid Commands
<code>[SENSe:]BANDwidth[:RESolution] <freq></code>	<p>The following sample commands are all identical. They will all cause the same result.</p> <ul style="list-style-type: none"> • <code>Sense:Band:Res 1700</code> • <code>BANDWIDTH:RESOLUTION 1.7e3</code> • <code>sens:band 1.7KHZ</code> • <code>SENS:band 1.7E3Hz</code> • <code>band 1.7kHz</code> • <code>bandwidth:RES 1.7e3Hz</code>
<code>MEASure:SPECTrum[n]?</code>	<ul style="list-style-type: none"> • <code>MEAS:SPEC?</code> • <code>Meas:spec?</code> • <code>meas:spec3?</code> <p>The number 3 in the last meas example causes it to return different results than the commands above it. See the command description for more information.</p>
<code>[:SENSe]:DETEctor[:FUNction] NEGative POSitive SAMPLe</code>	<ul style="list-style-type: none"> • <code>DET:FUNC neg</code> • <code>Detector:Func Pos</code>
<code>INITiate:CONTinuous ON OFF 1 0</code>	<p>The sample commands below are identical.</p> <ul style="list-style-type: none"> • <code>INIT:CONT ON</code> • <code>init:continuous 1</code>

Special Characters in Commands

Special Character	Meaning	Example
	A vertical stroke between parameters indicates alternative choices. The effect of the command is different depending on which parameter is selected.	<p>Command: TRIGger:SOURce EXTernal INTernal LINE</p> <p>The choices are external, internal, and line. Ex: TRIG:SOURCE INT</p> <p>is one possible command choice.</p>
	A vertical stroke between keywords indicates identical effects exist for both keywords. The command functions the same for either keyword. Only one of these keywords is used at a time.	<p>Command: SENSe:BANDwidth BWIDTH: OFFSet</p> <p>Two identical commands are: Ex1: SENSE:BWIDTh:OFFSEt Ex2: SENSE:BA ND:OFFSEt</p>
[]	keywords in square brackets are optional when composing the command. These implied keywords will be executed even if they are omitted.	<p>Command: [SENSe:]BANDwidth[:RESolu tion]:AUTO</p> <p>The following commands are all valid and have identical effects: Ex1: bandwidth:auto Ex2: band:resolution:auto Ex3: sense:bandwidth:auto</p>
< >	Angle brackets around a word, or words, indicates they are not to be used literally in the command. They represent the needed item.	<p>Command: SENS:FREQ <freq></p> <p>In this command example the word <freq> should be replaced by an actual frequency. Ex: SENS:FREQ 9.7MHz.</p>
{ }	Parameters in braces can optionally be used in the command either not at all, once, or several times.	<p>Command: MEASure:BW <freq>{, level}</p> <p>A valid command is: meas:BW 6 MHz, 3dB, 60dB</p>

Parameters in Commands

There are four basic types of parameters: booleans, keywords, variables and arbitrary block program data.

OFF|ON|0|1
(Boolean)

This is a two state boolean-type parameter. The numeric value 0 is equivalent to OFF. Any numeric value other than 0 is equivalent to ON. The numeric values of 0 or 1 are commonly used in the command instead of OFF or ON. Queries of the parameter always return a numeric value of 0 or 1.

keyword

The keywords that are allowed for a particular command are defined in the command syntax description.

Units

Numeric variables may include units. The valid units for a command depend on the variable type being used. See the following variable descriptions. The indicated default units will be used if no units are sent. Units can follow the numerical value with, or without, a space.

Variable

A variable can be entered in exponential format as well as standard numeric format. The appropriate range of the variable and its optional units are defined in the command description.

The following keywords may also be used in commands, but not all commands allow keyword variables.

- DEFault - resets the parameter to its default value.
- UP - increments the parameter.
- DOWN - decrements the parameter.
- MINimum - sets the parameter to the smallest possible value.
- MAXimum - sets the parameter to the largest possible value.

The numeric value for the function's MINimum, MAXimum, or DEFault can be queried by adding the keyword to the command in its query form. The keyword must be entered following the question mark.

Example query: SENSE:FREQ:CENTER? MAX

Variable Parameters

<freq>	
<bandwidth>	Is a positive rational number followed by optional units. The default unit is Hz. Acceptable units include: HZ, KHZ, MHZ, GHZ.
<time>	
<seconds>	Is a rational number followed by optional units. The default units are seconds. Acceptable units include: S, MS, US.
<voltage>	Is a rational number followed by optional units. The default units are V. Acceptable units include: Volts, V, MV, UV.
<power>	
<ampl>	Is a rational number followed by optional units. The default units are dBm. Acceptable units include: DBM, DBMV, W.
<rel_power>	
<rel_ampl>	Is a positive rational number followed by optional units. The default units are dB. Acceptable units include: DB.
<angle>	
<degrees>	Is a rational number followed by optional units. The default units are degrees. Acceptable units include: DEG, RAD.
<integer>	An integer value has no units.
<real>	Is a floating point number, with no units.
<percent>	Is a rational number between 0 and 100, with no units.
<string>	Is a series of alpha numeric characters.
<bit_pattern>	Specifies a series of bits rather than a numeric value. The bit series is the binary representation of a numeric value. There are no units.

Bit patterns are most often specified as hexadecimal numbers, though octal, binary or decimal numbers may also be used. In the SCPI language these numbers are specified as:

- Hexadecimal, #Hdddd or #hdddd where 'd' represents a hexadecimal digit 0 to 9 and 'a' to 'f'. So #h14 can be used instead of the decimal number 20.
- Octal, #Odddddd or #oddddddd where 'd' represents an octal digit 0 to 7. So #o24 can be used instead of the decimal number 20.

- Binary, #Bdddddddddddddd or #bdddddddddddddd where ‘d’ represents a 1 or 0. So #b10100 can be used instead of the decimal number 20.

Block Program Data

Some parameters consist of a block of data. Block data There are a few standard types of block data. Arbitrary blocks of program data can also be used.

<trace> Is an array of rational numbers corresponding to displayed trace data. See FORMat:DATA for information about available data formats.

A SCPI command often refers to a block of current trace data with a variable name such as: Trace1, TRACE2, or trace3, depending on which trace is being accessed.

<arbitrary block data> Consists of a block of data bytes. The first information sent in the block is an ASCII header beginning with #. The block is terminated with a semi-colon. The header can be used to determine how many bytes are in the data block. There are no units.

For example, suppose the header is #512320.

- The first digit in the header (5) tells you how many additional digits/bytes there are in the header.
- The 12320 means 12 thousand, 3 hundred, 20 data bytes follow the header.
- Divide this number of bytes by your current data format (bytes/data point), either 8 (for real64), or 4 (for real32). For this example, if you’re using real64 then there are 1540 points in the block.

Putting Multiple Commands on the Same Line

Multiple commands can be written on the same line, reducing your code space requirement. To do this:

- Commands must be separated with a semicolon (;).
- If the commands are in different subsystems, the key word for the new subsystem must be preceded by a colon (:).
- If the commands are in the same subsystem, the full hierarchy of the command key words need not be included. The second command can start at the same key word level as the command that was just executed.

SCPI Termination and Separator Syntax

A terminator must be provided when an instrument is controlled using

RS-232. There are several issues to be understood about choosing the proper SCPI terminator and separator when this is the case. There is no current SCPI standard for RS-232. Although one intent of SCPI is to be interface independent, <END> is only defined for IEEE 488 operation. At the time of this writing, the RS-232 terminator issue was in the process of being addressed in IEEE standard 1174.

A semicolon (;) is not a SCPI terminator, it is a separator. The purpose of the separator is to queue multiple commands or queries in order to obtain multiple actions and/or responses. Make sure that you do not attempt to use the semicolon as a terminator when using RS-232 control.

All binary trace and response data is terminated with <NL><END>, as defined in Section 8.5 of IEEE Standard 488.2-1992, IEEE Standard Codes, Formats, Protocols and Common Commands for Use with ANSI/IEEE Std 488.1-1987. New York, NY, 1992.

The following are some examples of good and bad commands. The examples are created from a theoretical instrument with the simple set of commands indicated below:

```
[ :SENSe]
    :POWer
        [:RF]
        :ATTenuation 40dB

:TRIGger
    [:SEQuence]
    :EXTernal [1]
        :SLOPe
            POSitive

[:SENSe]
    :FREQuency
        :STARt
    :POWer
    [:RF]
        :MIXer
            :RANGe
            [:UPPer]
```

Bad Command	Good Command
<code>PWR:ATT 40dB</code>	<code>POW:ATT 40dB</code>
The short form of POWER is POW , not PWR .	
<code>FREQ:STAR 30MHz;MIX:RANG -20dBm</code>	<code>FREQ:STAR 30MHz;POW:MIX:RANG -20dBm</code>
The MIX:RANG command is in the same :SENSE subsystem as FREQ , but executing the FREQ command puts you back at the SENSE level. You must specify POW to get to the MIX:RANG command.	
<code>FREQ:STAR 30MHz;POW:MIX RANG -20dBm</code>	<code>FREQ:STAR 30MHz;POW:MIX:RANG -20dBm</code>
MIX and RANG require a colon to separate them.	
<code>:POW:ATT 40dB;TRIG:FREQ:STAR 2.3GHz</code>	<code>:POW:ATT 40dB;:FREQ:STAR 2.3GHz</code>
:FREQ:STAR is in the :SENSE subsystem, not the :TRIGGER subsystem.	
<code>:POW:ATT?:FREQ:STAR?</code>	<code>:POW:ATT?;:FREQ:STAR?</code>
:POW and FREQ are within the same :SENSE subsystem, but they are two separate commands, so they should be separated with a semicolon, not a colon.	
<code>:POW:ATT -5dB;:FREQ:STAR 10MHz</code>	<code>:POW:ATT 5dB;:FREQ:STAR 10MHz</code>
Attenuation cannot be a negative value.	

Numerics

8-bit bytes, 310, 312

A

A minus B

into A, 118, 143

off, 142

plus display line, 119

A plus B

to A, 124, 212

A1, 95

A2, 96

A3, 97

A4, 98

absolute amplitude units, 127

AC coupling, 200

AC/DC, 198, 200

ACP, 99

ACPALPHA, 100

ACPALTCH, 101

ACPBRPER, 102

ACPBRWID, 103

ACPBW, 104

ACPCOMPUTE, 105

ACPFREQWT, 106

ACPLOWER, 107

ACPMAX, 108

ACPMEAS, 109

ACPMSTATE, 110

ACPPAR, 111

ACPPWRTX, 112

ACPRSLTS, 113

ACPSP, 114

ACPT, 115

ACPUPPER, 116

activate limit line segment, 350

activate marker, 274

add limit line segment, 346

address

display, 162

adjacent channel power, 99

alpha weighting, 100

alternate channels, 101

auto, 111

bandwidth, 104

burst period, 102

burst width, 103

channel spacing, 114

compute, 105

frequency weighting, 106

lower, 107

manual, 111

maximum, 108

measure, 109

measurement results, 113

measurement state, 110

T weighting, 115

total power transmitted, 112

upper, 116

ADJALL, 117

Agilent Technologies URL, 2

alpha weighting, 100

AMB, 118

AMBPL, 119

AMPCOR, 121

amplitude

in dBm, 207

in dBmV, 209

in dBuV, 211

in volts, 213

amplitude correction, 121

amplitude marker, 273

amplitude units, 93, 127

analyzer command, 93

angle parameter (variables), 410

ANNOT, 123

annotation, 123

off, 233

on, 234

output trace, 315

APB, 124

arbitrary block data, 411

AT, 125

attenuation, 125

coupling, 144

attenuator

source, 359

AUNITS, 127

AUTO, 129

auto couple, 129, 131

AUTOCP, 131

average

video, 396

AXB, 132

B

B minus display line, 137

B1, 133

B2, 134

B3, 135

B4, 136

bandwidth

channel power, 151

marker, 275

occupied power, 313

power, 325

resolution, 333

video, 398

video coupling offset, 400

bit_pattern parameter

(variables), 410

BL, 137

BLANK, 138

blank

trace C, 224

blank trace, 98, 136, 138

block data

arbitrary, 411

identifying block size, 411

parsing output, 411

BML, 139

boolean parameter (commands),
409

BTC, 140

BXC, 141

bytes, 310, 312, 371

C

C1, 142

C2, 143

CA, 144

CAL, 145

calibration, 145

carrier on power, 146

CARRON, 146

center frequency, 147

marker, 173, 276

step size, 367

CF, 147

CHANNEL, 148

channel power, 149, 150

bandwidth, 151

channel selection, 148

CHANPWR, 149

Chapter 6, "A Brief Introduction
to the SCPI Language," on

page 247, 50

character EOI, 93

characters, 92

CHP, 150

CHPWRBW, 151

CISPR, 327, 328

clear

average, 152

status byte, 154

write, 95, 133, 153, 379, 380

Clear Command Error Log, 49

CLRAVG, 152

CLRW, 153

CLS, 154

Cmd Error Log, 49

command

mnemonic, 92

terminators, 92

Command Err, 49

commands

boolean parameter, 409

keyword parameter, 409

multiple on a line, 411

parameters, 409

syntax, 406

- termination, IEEE, 412
- units parameter, 409
- valid commands, 407
- variable parameter, 409
- variable parameter keywords, 409
- configure remote language, 45
- continuous sweep, 155, 344
- control
 - gate, 192
- CONTS, 155
- correction factors on, 156
- CORREK, 156
- counter
 - marker, 280
- COUPLE, 157
- couple
 - attenuation, 144
 - auto, 129, 131
 - frequency
 - step size, 159
 - input, 157
 - resolution bandwidth, 158
 - sweep, 374
 - sweep time, 160
 - video bandwidth, 161
- coupling
 - AC/DC, 198, 200
 - video bandwidth
 - offset, 400
- CR, 158
- CS, 159
- CT, 160
- current units, 93
- CV, 161
- D**
- DA, 162
- data
 - arbitrary blocks, 411
 - data byte, 93
 - data byte EOI, 93
 - data entry
 - hold, 197
 - data format
 - display units, 309
 - one 8-bit byte, 312
 - real amplitude units, 311
 - trace, 383
 - two 8-bit bytes, 310
 - date, 385
 - set, 353
 - DC coupling, 198
 - degree parameter (variables), 410
 - delay
 - gate, 193
 - sweep, 170
- delete
 - current limit line, 250
 - limit line segment, 348
 - limit line table, 246
- deleting an
 - application/personality, 34, 40
- delimiter, 93
- DELMKBW, 163
- delta marker, 260, 277
 - occupied power bandwidth, 163
 - step size, 174
- delta value
 - limit line, 244
- DEMODO, 164
- demodulation, 164
- DET, 165
- detection, 327, 328
 - mode, 165
 - negative peak, 214
 - normal, 208
 - positive peak, 210
 - sample, 216
- digit, 93
- display
 - address, 162
 - frequency, 183
 - limit line, 247
 - line, 167
 - line enable, 169
 - line off, 240
 - off, 218
 - on, 220
 - peak table delta, 317
- display trace, 391
- DL, 167
- DLE, 169
- DLYSWP, 170
- documentation, 53
- DONE, 171
- dotted lines
 - optional path, 92
- E**
- E1, 172
- E2, 173
- E3, 174
- E4, 175
- EDITDONE, 176
- EDITLIML, 177
- elapsed time, 179
- EMC detection, 327, 328
- EMI peak detection, 327, 328
- enable
 - display line, 169
 - limit line testing, 252
- end-of-sweep SRQ, 330
- ERR, 178
- error, 178
- errors
 - clearing, 49
 - displaying, 49
 - storing, 49
- ET, 179
- EX, 180
- exchange traces, 404
 - A and B, 132, 180
 - B and C, 141, 221
- excursion
 - marker peak, 290
- external
 - preamplifier gain, 323
 - trigger, 237, 377
 - trigger mode, 387
- F**
- FA, 181
- fast preselector peak, 185
- fast preset, 235
- FB, 182
- FDSP, 183
- FOFFSET, 184
- format
 - display units, 309
 - one 8-bit byte, 312
 - real amplitude units, 311
 - trace data, 383
 - two 8-bit bytes, 310
- FPKA, 185
- free run trigger, 375
- free trigger mode, 387
- FREF, 186
- frequency
 - center, 147
 - display off, 183
 - limit line, 245
 - limit line segment entry, 351
 - marker, 279
 - marker readout, 291
 - offset, 184, 236
 - parameter (variables), 410
 - reference, 186
 - segment entry, 351
 - span, 357
 - start, 181
 - stop, 182
 - units, 93
- FS, 187
- full span, 187
- G**
- gain
 - external preamplifier, 323
- GATE, 191

- gate, 191
 - control, 192
 - delay, 193
 - length, 194
 - polarity, 195
- GATECTL, 192
- GD, 193
- getting started, 28
- GL, 194
- GP, 195
- GRAT, 196
- graticule, 196
 - off, 229
 - on, 231
- H**
- hardware broken SRQ, 331
- hardware requirements, 30
- HD, 197
- hints, 88
 - compatibility, 88
 - instrument presets, 89
 - overloading, 89
 - SCPI language, 89
 - speed, 88
 - sweep times, 88
 - synchronization, 88, 89
 - time out, 88
- hold
 - data entry, 197
 - maximum, 305
 - minimum, 271
- HP8560E/EC remote language, 45
- HP8561E/EC remote language, 45
- HP8562E/EC remote language, 45
- HP8563E/EC remote language, 45
- HP8564E/EC remote language, 45
- HP8565E/EC remote language, 46
- HP8566B remote language, 46
- HP8568B remote language, 46
- HP8590L remote language, 46
- HP8591E remote language, 46
- HP8592L remote language, 47
- HP8593E remote language, 47
- HP8594E remote language, 47
- HP8594EL remote language, 47
- HP8595E remote language, 47
- HP8596E remote language, 47
- I**
- I1, 198
- I2, 200
- ID, 202
- identify, 202
- IEEE command termination, 412
- IF adjustment, 117
- illegal command SRQ, 329
- impedance
 - input, 203
 - units, 93
- input
 - attenuation, 125
 - coupling, 157
 - impedance, 203
- input attenuation, 49
- installation disk set, 34
- installer troubleshooting, 39
- installing measurement personalities, 34, 40
- instrument preset, 204
- integer variable (variables), 410
- INZ, 203
- IP, 204
- K**
- keyword parameter (commands), 409
- KS,, 205
- KS=, 206
- KSA, 207
- KSa, 208
- KSB, 209
- KSb, 210
- KSC, 211
- KSc, 212
- KSD, 213
- KSD, 214
- KSE, 215
- KSe, 216
- KSG, 217
- KSG, 218
- KSH, 219
- KSh, 220
- KSi, 221
- KSj, 222
- KSK, 223
- KSk, 224
- KSL, 225
- KSl, 226
- KSM, 227
- KSm, 229
- KSN, 230
- KSn, 231
- KSO, 232
- KSo, 233
- KSp, 234
- KST, 235
- KSV, 236
- KSx, 237
- KSy, 238
- KSZ, 239
- L**
- L0, 240
- length
 - gate, 194
- level
 - mixer, 301
 - normalized reference, 307
 - reference, 339
 - reference offset, 342
 - video trigger, 403
- LG, 242
- LIMD, 244
- LIMF, 245
- LIMIDEL, 246
- LIMIDESP, 247
- LIMIFAIL, 248
- LIMIFT, 249
- LIMPURGE, 250
- LIMIREL, 251
- limit
 - lower amplitude, 253
 - middle amplitude, 254
 - upper amplitude, 255
- limit line
 - activate segment, 350
 - add segment, 346
 - delete current, 250
 - delete segment, 348
 - delete table, 246
 - delta value, 244
 - display, 247
 - edit, 177
 - enable testing, 252
 - end of edit, 176
 - frequency, 249
 - frequency value, 245
 - relative, 251
 - segment activate, 350
 - segment entry for frequency
 - limit line, 351
 - segment terminate, 349
 - terminate segment, 349
 - testing, 252
 - time, 249
- limitations, 29
 - commands supported, 29
 - ESA-E series analyzers, 29
 - ESA-L series analyzers, 29
 - predefined functions, 29
 - user-defined functions, 29
- LIMITEST, 252
- limits failed, 248
- LIML, 253

- LIMM, 254
- LIMU, 255
- line trigger, 376
- line trigger mode, 387
- linear scale, 256
- LN, 256
- LO adjustment, 117
- LO and IF adjustment, 117
- loading an
 - application/personality, 34, 40
- logarithmic scale, 242
- lower adjacent channel power, 107
- lower-limit amplitude, 253
- lsb length, 93
- LSPAN, 257
- M**
- M1, 258
- M2, 259
- M3, 260
- M4, 262
- MA, 263
- marker
 - activate, 274
 - amplitude, 273
 - amplitude output, 263
 - bandwidth, 275
 - center frequency, 173, 276
 - counter, 280
 - counter resolution, 281
 - delta, 260, 277
 - delta step size, 174
 - frequency, 279
 - frequency counter off, 264
 - frequency counter on, 265
 - frequency output, 270
 - minimum, 230, 282
 - next peak, 223
 - noise, 284
 - noise off, 225
 - noise on, 227
 - normal, 259, 283
 - occupied power bandwidth, 163
 - off, 258, 286
 - peak, 172, 288
 - peak excursion, 290
 - position, 287
 - readout, 291
 - reference level, 175
 - span, 232
 - step size, 174, 295
 - table, 297
 - threshold, 289
 - time, 296
 - to span, 294
 - trace, 298
 - track, 299
 - track off, 303
 - track on, 304
 - type, 300
 - zoom, 262
- marker amplitude, 273
- marker amplitude output, 263
- marker bandwidth, 275
- marker counter, 280
- marker counter resolution, 206, 281
- marker delta, 277
- marker frequency, 279
- marker frequency counter off, 264
- marker frequency counter on, 265
- marker frequency output, 270
- marker minimum, 230, 282
- marker noise, 284
- marker noise off, 225
- marker noise on, 227
- marker normal, 259, 283
- marker off, 258, 286
- marker peak, 288
- marker peak excursion, 290
- marker position, 287
- marker readout, 291
- marker readout in frequency, 291
- marker span, 232
- marker step size, 295
- marker table, 297
- marker threshold, 289
- marker time, 296
- marker to center frequency, 173, 276
- marker to next peak, 223
- marker to reference level, 175, 293
- marker to span, 294
- marker trace, 298
- marker track, 299
- marker track off, 303
- marker track on, 304
- marker type, 300
- max mixer level, 49
- maximum adjacent channel power, 108
- maximum hold, 96, 134, 305
- MC0, 264
- MC1, 265
- MDS, 266
- MEAN, 267
- mean
 - power measurement, 268
 - trace, 267
- mean power measurement, 268
- MEANPWR, 268
- MEASOFF, 269
- measurement
 - data size, 266
 - off, 269
- MF, 270
- middle-amplitude
 - limit, 254
- MINH, 271
- minimum
 - hold, 271
 - marker, 230, 282
 - x position, 272
- MINPOS, 272
- missing options, 40
- mixer level, 205, 301
- MKA, 273
- MKACT, 274
- MKBW, 275
- MKCF, 276
- MKD, 277
- MKF, 279
- MKFC, 280
- MKFCR, 281
- MKMIN, 282
- MKN, 283
- MKNOISE, 284
- MKOFF, 286
- MKP, 287
- MKPK, 288
- MKPT, 289
- MKPX, 290
- MKREAD, 291
- MKRL, 293
- MKSP, 294
- MKSS, 295
- MKT, 296
- MKTBL, 297
- MKTRACE, 298
- MKTRACK, 299
- MKTYPE, 300
- ML, 301
- mnemonic
 - command, 92
- msb length, 93
- MT0, 303
- MT1, 304
- MXMH, 305
- N**
- negative peak detection, 214
- noise
 - marker, 284
 - marker off, 225
 - marker on, 227
 - measurement, 284
 - signal to noise ratio, 284
- normal

- detection, 208
- marker, 259, 283
- normalize trace date, 306
- normalized reference level, 307
- normalized reference position, 308
- NORMLIZE, 306
- NRL, 307
- NRPOS, 308
- number, 93
- O**
- O1, 309
- O2, 310
- O3, 311
- O4, 312
- OCCUP, 313
- occupied power bandwidth, 313
- occupied power bandwidth within delta marker, 163
- offset
 - frequency, 184, 236
 - reference level, 239, 342
 - source power, 360
 - video bandwidth coupling, 400
- OL, 314
- Q1, 328
- options
 - loading/deleting, 34, 40
 - not in instrument memory, 40
- OT, 315
- output data, identifying block size, 411
- output learn string, 314
- output termination, 93
- output trace annotations, 315
- P**
- parameters
 - commands, 409
 - variables, 410
- peak
 - excursion marker, 290
 - fast preselector, 185
 - marker, 172, 288
 - negative peak detection, 214
 - position, 318
 - preselector, 322
 - sort, 319
 - table, 320
 - table delta display line, 317
 - tracking source, 365
- peak table delta display line, 317
- PEAKS, 316
- percent occupied power
 - bandwidth, 313
 - percent parameter (variables), 410
- personality options not in instrument, 40
- phase parameter (variables), 410
- PKDLMODE, 317
- PKPOS, 318
- PKSORT, 319
- PKTBL, 320
- PLOT, 321
- polarity
 - gate, 195
 - trigger, 392
- position
 - minimum x, 272
 - normalized reference, 308
- positive peak detection, 210
- power
 - bandwidth, 325
 - carrier on, 146
 - channel, 149, 150
 - percent occupied bandwidth, 313
 - source, 363
 - up time, 326
- power measurement
 - mean, 268
- power offset
 - source, 360
- power parameter (variables), 410
- power step
 - source, 361
- power sweep
 - source, 362
- power up time, 326
- PP, 322
- PREAMPG, 323
- preamplifier
 - external gain, 323
- preselector peak, 185, 322
- preset
 - fast, 235
 - trace, 393
- preset instrument, 204
- previous span, 257
- PRINT, 324
- print, 324
- programming
 - command parameters, 409
 - command syntax, 406
 - SCPI basics, 406
 - valid commands, 407
- PWRBW, 325
- PWRTIME, 326
- Q**
- quasi-peak detection, 327, 328
- query
 - status byte, 371
- R**
- R1, 329
- R2, 330
- R3, 331
- R4, 332
- ratio
 - VBW/RBW, 401
- RB, 158, 333
- RBR, 335
- RBW to span ratio, 335
- RBW/VBW, 49
- RC, 336
- readout
 - marker, 291
- recall last state, 336
- recommended path, 92
- reference
 - frequency, 186
 - reference level, 339
 - marker, 293
 - normalized, 307
 - reference level marker, 175
 - reference level offset, 239, 342
 - reference position
 - normalized, 308
- relative limit lines, 251
- relative power parameter (variables), 410
- remote language
 - configuring, 45
 - HP8560E/EC, 45
 - HP8561E/EC, 45
 - HP8562E/EC, 45
 - HP8563E/EC, 45
 - HP8564E/EC, 45
 - HP8565E/EC, 46
 - HP8566B, 46
 - HP8568B, 46
 - HP8590L, 46
 - HP8591E, 46
 - HP8592L, 47
 - HP8593E, 47
 - HP8594E, 47
 - HP8594L, 47
 - HP8595E, 47
 - HP8596E, 47
 - SCPI, 45, 50
- repeating syntax element, 92
- reserved words, 92
- resolution
 - marker counter, 206, 281
- resolution bandwidth, 333, 335
 - coupling, 158
 - vide bandwidth ratio, 401

- resolution bandwidth ratio, 335
- results data, identifying block size, 411
- returning or storing trace values, 388, 389, 390
- REV, 338
- revision, 338
- RL, 339
- RMS, 341
- ROFFSET, 342
- root mean square value, 341
- RQS, 343
- S**
- S1, 344
- S2, 345
- SADD, 346
- sample detection, 216
- saving analyzer state, 314
- scale
 - linear, 256
 - logarithmic, 242
- SCPI language, 45, 50
 - basic info, 406
 - command parameters, 409
 - command syntax, 406
 - keyword parameters, 409
 - valid commands, 407
- screen title, 386
 - display, 386
- SDEL, 348
- SDON, 349
- secondary keywords, 92
- SEDI, 350
- segment entry for frequency limit lines, 351
- select frequency line, 249
- select time limit line, 249
- selection
 - channel, 148
- SEENTER, 351
- SER, 352
- serial number, 352
- service request mask, 343
- set
 - date, 353
 - RF coupling to AC, 200
 - RF coupling to DC, 198
 - time, 354
- SETDATE, 353
- SETTIME, 354
- setting the marker counter resolution, 206
- shipment
 - verification list, 53
- signal-to-noise ratio, 284
- single sweep, 345, 356
- SMOOTH, 355
- smooth trace, 355
- SNGLS, 356
- softkeys
 - Atten Offset, 49
 - Clear Command Error Log, 49
 - Cmd Error Log, 49
 - Command Err, 49
 - Config Remote Lang, 45
 - HP8560E/EC, 45
 - HP8561E/EC, 45
 - HP8562E/EC, 45
 - HP8563E/EC, 45
 - HP8564E/EC, 45
 - HP8565E/EC, 46
 - HP8566B, 46
 - HP8568B, 46
 - HP8590L, 46
 - HP8591E, 46
 - HP8592L, 47
 - HP8593E, 47
 - HP8594E, 47
 - HP8594L, 47
 - HP8595E, 47
 - HP8596E, 47
 - Language, 45
 - Limit RBW/VBW, 49
 - SCPI, 45
- sort
 - peak, 319
- source
 - attenuator, 359
 - offset power, 360
 - power, 363
 - power offset, 360
 - power step, 361
 - power sweep, 362
 - step power, 361
 - sweep power, 362
 - tracking, 364
 - tracking peak, 365
- SP, 357
- span, 335, 357
 - frequency, 357
 - full, 187
 - marker, 232, 294
 - previous, 257
- span zoom, 262
- special, 92
 - numbers, 92
- SPEEd | DRANge | DYNamicrange, 50
- SRCAT, 359
- SRCPOFS, 360
- SRCPSTP, 361
- SRCPSWP, 362
- SRCPWR, 363
- SRCTK, 364
- SRCTKPK, 365
- SRQ, 366
 - end-of-sweep, 330
 - hardware broken, 331
 - illegal command, 329
 - units-key-pressed, 332
 - user-defined, 366
- SS, 367
- ST, 369
- standard deviation of trace amplitudes, 372
- start frequency, 181
- state
 - recall, 336
 - trace, 394
- status byte
 - clear, 154
 - query, 371
- status byte query, 371
- STB, 371
- STDEV, 372
- step
 - source power, 361
- step size
 - center frequency, 367
 - marker, 295
- stop frequency, 182
- string parameter (variables), 410
- sweep
 - continuous, 155, 344
 - couple, 374
 - delay, 170
 - single, 345, 356
 - source power, 362
 - take, 395
 - time, 369
- sweep time
 - coupling, 160
- SWPCPL, 374
- syntax elements, 92
- syntax for commands, 92
- T**
- T weighting
 - adjacent channel power, 115
- T1, 375
- T2, 376
- T3, 377
- T4, 378
- T7, 379
- T8, 380
- table
 - marker, 297
 - peak, 320
 - peak delta display line, 317
 - take sweep, 395

- TDF, 383
- terminate limit line segment, 349
- terminators
 - command, 92
- TH, 384
- threshold, 384
 - marker, 289
- time, 385
 - elapsed, 179
 - marker, 296
 - set, 354
 - units, 93
- time date, 385
- time parameter (variables), 410
- TIMEDATE, 385
- tips, 88
 - compatibility, 88
 - instrument presets, 89
 - overloading, 89
 - SCPI language, 89
 - speed, 88
 - sweep times, 88
 - synchronization, 88, 89
 - time out, 88
- TITLE, 386
- title mode, 215
- title, 386
- TM, 387
- TRA, 388
- trace
 - A plus B to A, 212
 - blank, 98, 138
 - blank trace C, 224
 - data input, 388, 389, 390
 - data output, 388, 389, 390
 - display, 391
 - exchange, 404
 - exchange B and C, 221
 - mean, 267
 - normalize, 306
 - output annotations, 315
 - preset, 393
 - returning values, 388, 389, 390
 - smooth, 355
 - standard deviation of
 - amplitudes, 372
 - state, 394
 - storing values, 388, 389, 390
 - transfer B to C, 226
 - view, 97, 135
 - view trace C, 222
- trace B minus display line, 139
- trace data
 - normalize, 306
- trace data format, 383, 411
- trace data input, 388, 389, 390
- trace data input and output, 388, 389, 390
- trace data output, 388, 389, 390
- trace marker, 298
- trace mean, 267
- trace preset, 393
- track marker, 299
- tracking
 - source, 364
- tracking peak
 - source, 365
- transfer traces
 - B to C, 140, 226
- TRB, 389
- TRC, 390
- TRDSP, 391
- trigger
 - external, 237, 377, 387
 - free, 387
 - free run, 375
 - line, 376, 387
 - mode, 387
 - polarity, 392
 - TV, 387
 - video, 238, 378, 387
 - video level, 403
- triggering the spectrum analyzer, 387
- TRIGPOL, 392
- troubleshooting
 - installer, 39
- TRPRST, 393
- TRSTAT, 394
- TS, 395
- TV trigger mode, 387
- type marker, 300
- U**
 - uninstalling measurement personalities, 34, 40
 - units, 93
 - units parameter (commands), 409
 - units-key-pressed SRQ, 332
 - upper adjacent channel power, 116
 - upper-limit amplitude, 255
- URL
 - Agilent Technologies, 2
 - firmware, 53
 - spectrum analyzer updates, 53
- user-defined SRQ, 366
- V**
 - variable parameter (commands), 409
 - variables
 - angle parameter, 410
 - bit_data parameter, 410
 - degree parameter, 410
 - frequency parameter, 410
 - integer parameter, 410
 - parameters, 410
 - percent parameter, 410
 - phase parameter, 410
 - power parameter, 410
 - relative power parameter, 410
 - string parameter, 410
 - time parameter, 410
 - voltage parameter, 410
- VAVG, 396
- VB, 398
- VBO, 400
- VBR, 401
- VBW/RBW ratio, 401
- video average, 396
- video averaging
 - off, 219
 - on, 217
- video bandwidth, 398
 - coupling, 161
 - coupling offset, 400
 - resolution bandwidth ratio, 401
- video bandwidth to resolution bandwidth ratio, 401
- video trigger, 238, 378
 - level, 403
- video trigger level, 403
- video trigger mode, 387
- VIEW, 402
- view
 - mode, 97, 135
 - trace, 402
 - trace C, 222
- view trace, 97, 135
- view trace, trace
 - view, 402
- voltage parameter (variables), 410
- VTL, 403
- W**
 - website
 - firmware updates, 53
- X**
 - XCH, 404
- Z**
 - Q0, 327
 - zoom marker, 262

